



## Polyfab™ Pro Shade Sail Hardware

This premium line of marine grade AISI 316/304 stainless steel and other steel hardware is recommended for use in tension shade structures such as hip and ridge and tension membrane shade sails in conjunction with HDPE knitted shade cloth or equivalent quality fabric. The finished structure needs to be properly engineered by a professional engineer and installed by a qualified contractor in accordance with local building codes.

It is the responsibility of the fabricator within these parameters to determine the proper hardware for a particular installation.

Please refer to [www.trivantage.com](http://www.trivantage.com) for proper care and cleaning of all Polyfab Pro hardware.

<b>WARRANTY</b>	5-Year
-----------------	--------



ITEM #	STYLE #	DESCRIPTION	FOR	MATERIAL	PUT UP	SIZE	STANDARD PACKAGE	THREADED FOR SIZE
240075	HS-345CR	Croc Heavy Duty Hand Swage Tool for 3, 3.2, 4, 5mm Wire	3, 3.2, 4 and 5 mm wire		1/each		1	
240076	HS-6810CR	Croc Heavy Duty Hand Swage Tool for 6, 8, 10mm Wire	6, 8, and 10 mm wire		1/each		1	
240116	ZN-ZB14	Deck Post Bracket Set		Zinc Plated Steel	1/each		1	
240014	SS-SD-10	Polyfab Dee Shackle		AISI 316 Stainless Steel	1/each	10 mm	1	M10
240013	SS-SD-08	Polyfab Dee Shackle		AISI 316 Stainless Steel	1/each	8 mm	1	M8
240016	SS-SLD-10	Polyfab Long Dee Shackle		AISI 316 Stainless Steel	1/each	10 mm	150	M10
240015	SS-SLD-08	Polyfab Long Dee Shackle		AISI 316 Stainless Steel	1/each	8 mm	150	M8
240021	SS-SLT-10	Polyfab Long Twisted Shackle		AISI 316 Stainless Steel	1/each	10 mm	150	M10
240020	SS-SLT-08	Polyfab Long Twisted Shackle		AISI 316 Stainless Steel	1/each	8 mm	280	M8
240008	SS-TBST-12	Polyfab Pro Closed-Body Turnbuckle with Swivel Toggle Ends		AISI 316 Stainless Steel	1/each	12mm (1/2")	50	M12
240009	SS-TBST-16	Polyfab Pro Closed-Body Turnbuckle with Swivel Toggle Ends		AISI 316 Stainless Steel	1/each	16mm (5/8")	50	M12
240105	AL-DISK-06	Polyfab Pro Corner Disk Assembly		Stamped Aluminum	1/each		1	
240045	SS-DRG-06	Polyfab Pro Dee Ring		AISI 316 Stainless Steel	1/each	6 x 50 mm	500	
240046	SS-DRG-08	Polyfab Pro Dee Ring		AISI 316 Stainless Steel	1/each	8 x 50 mm	300	
240057	SS-DRTH-1065	Polyfab Pro Dee Ring Thimble		AISI 316 Stainless Steel	1/each	10 x 65 mm	70	
240055	SS-DRTH-650	Polyfab Pro Dee Ring Thimble		AISI 316 Stainless Steel	1/each	6 x 50 mm	300	
240056	SS-DRTH-850	Polyfab Pro Dee Ring Thimble		AISI 316 Stainless Steel	1/each	8 x 50 mm	230	
240090	ZN-WPD-100	Polyfab Pro Diagonal Eye Wall Plate		Zinc Plated Steel	1/each	100 mm	20	
240091	ZN-WPD-150	Polyfab Pro Diagonal Eye Wall Plate		Zinc Plated Steel	1/each	150 mm	1	
240095	SS-PED-90	Polyfab Pro Diamond Pad Eye		AISI 316 Stainless Steel	1/each	80 mm	50	
240096	SS-PED-100	Polyfab Pro Diamond Pad Eye		AISI 316 Stainless Steel	1/each	100 mm	30	
240094	SS-WPD-180	Polyfab Pro Diamond Wall Plate with 100mm Shackle Eye		AISI 316 Stainless Steel	1/each	180 x 110 mm	1	
240050	SS-DRHD-05	Polyfab Pro Easy-Hold Dee Ring		AISI 316 Stainless Steel	1/each	5 x 50 mm	1	
	SS-DRHD-10	Polyfab Pro Easy-Hold Dee Ring		AISI 316 Stainless Steel		10 x 55 mm	1	
240051	SS-DRHD-08	Polyfab Pro Easy-Hold Dee Ring		AISI 316 Stainless Steel	1/each	8 x 50 mm	300	
240083	ZN-CBEX-250	Polyfab Pro External Corner Bracket		Zinc Plated Steel	1/each	250 mm	10	
240082	ZN-CBEX-100120	Polyfab Pro External Corner Bracket		Zinc Plated Steel	1/each	100 x 120 mm	10	
240113	ZN-CBEX-150	Polyfab Pro External Corner Bracket		Zinc Plated Steel	1/each	150 mm	1	
240080	ZN-CBEX-100	Polyfab Pro External Corner Bracket		Zinc Plated Steel	1/each	100 mm	10	



240048

240031



240030

240044



240104

240101



240102

240103



240100

240042



240115

240084



240081

240114



240033

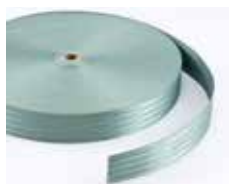
240073

ITEM #	STYLE #	DESCRIPTION	FOR	MATERIAL	PUT UP	SIZE	STANDARD PACKAGE	THREADED FOR SIZE
240048	SS-EYBC-08	Polyfab Pro Eye Bolt with Collar		AISI 316 Stainless Steel	1/each	8 mm	1	M8
240049	SS-EYBC-10	Polyfab Pro Eye Bolt with Collar		AISI 316 Stainless Steel	1/each	10 mm	1	M10
240053	SS-EYBC-12	Polyfab Pro Eye Bolt with Collar		AISI 316 Stainless Steel	1/each	12 mm	1	M12
240031	SS-EYB-08120	Polyfab Pro Eye Bolt, Nut, 2 Washers		AISI 316 Stainless Steel	1/each	8 x 120 mm	80	M8
240032	SS-EYB-10120	Polyfab Pro Eye Bolt, Nut, 2 Washers		AISI 316 Stainless Steel	1/each	10 x 120 mm	50	M10
240030	SS-EYN-12	Polyfab Pro Eye Nut		AISI 316 Stainless Steel	1/each	12 mm	50	M12
240044	SS-EYN-08	Polyfab Pro Eye Nut		AISI 316 Stainless Steel	1/each	8 mm	1	M8
240047	SS-EYN-10	Polyfab Pro Eye Nut		AISI 316 Stainless Steel	1/each	10 mm	1	M10
240037	SS-EYNB-10600	Polyfab Pro Eye Nut Bolt, Nut, Washer		AISI 316 Stainless Steel	1/each	10 x 160 mm	50	M10
240064	SS-EYNB-12150	Polyfab Pro Eye Nut Bolt, Nut, Washer		AISI 316 Stainless Steel	1/each	12 x 150mm	1	M12
240038	SS-EYNB-12200	Polyfab Pro Eye Nut Bolt, Nut, Washer		AISI 316 Stainless Steel	1/each	12 x 200 mm	40	M12
240054	SS-EYNB-12120	Polyfab Pro Eye Nut Bolt, Nut, Washer		AISI 316 Stainless Steel	1/each	12 x 120mm	1	M12
240036	SS-EYNB-10100	Polyfab Pro Eye Nut Bolt, Nut, Washer		AISI 316 Stainless Steel	1/each	10 x 100 mm	50	M10
240104	ZN-FB2W	Polyfab Pro Fascia Bracket Two Way		Zinc Plated Steel	1/each		10	
240101	ZN-FBLH	Polyfab Pro Fascia Bracket for 20 Degree Rafter Angle Left		Zinc Plated Steel	1/each		10	
240102	ZN-FBRH	Polyfab Pro Fascia Bracket for 20 Degree Rafter Angle Right		Zinc Plated Steel	1/each		10	
240103	ZN-FB90	Polyfab Pro Fascia Bracket for Flat Roof		Zinc Plated Steel	1/each		10	
240100	ZN-FBTH	Polyfab Pro Fascia Bracket with 12mm Threaded Rod		Zinc Plated Steel	1/each		10	
240042	SS-HN-08	Polyfab Pro Hex Nut		AISI 316 Stainless Steel	1/each	8 mm	1	M8
240069	SS-HN-10	Polyfab Pro Hex Nut		AISI 316 Stainless Steel	1/each	10 mm	1	M10
240115	ZN-CBIN-100120	Polyfab Pro Internal Corner Bracket		Zinc Plated Steel	1/each	100 x 120 mm	1	
240084	ZN-CBIN-250	Polyfab Pro Internal Corner Bracket		Zinc Plated Steel	1/each	250 mm	10	
240081	ZN-CBIN-100	Polyfab Pro Internal Corner Bracket		Zinc Plated Steel	1/each	100 mm	10	
240114	ZN-CBIN-150	Polyfab Pro Internal Corner Bracket		Zinc Plated Steel	1/each	150 mm	1	
240033	SS-LNN-08	Polyfab Pro Nylon Lock Nut		AISI 316 Stainless Steel	1/each	8 mm	80	M8
240034	SS-LNN-10	Polyfab Pro Nylon Lock Nut		AISI 316 Stainless Steel	1/each	10 mm	50	M10
240035	SS-LNN-12	Polyfab Pro Nylon Lock Nut		AISI 316 Stainless Steel	1/each	12 mm	40	M12
240073	SS-WRC-10	Polyfab Pro Rope Clamp		AISI 316 Stainless Steel	1/each	10 mm	1	
240066	SS-WRC-06	Polyfab Pro Rope Clamp		AISI 316 Stainless Steel	1/each	6 mm	600	
240074	SS-WRC-03	Polyfab Pro Rope Clamp		AISI 316 Stainless Steel	1/each	3.2 mm	1	



ITEM #	STYLE #	DESCRIPTION	FOR	MATERIAL	PUT UP	SIZE	STANDARD PACKAGE	THREADED FOR SIZE
240067	SS-WRC-08	Polyfab Pro Rope Clamp		AISI 316 Stainless Steel	1/each	8 mm	300	
240111	SS-WRC-05	Polyfab Pro Rope Clamp		AISI 316 Stainless Steel	1/each	5 mm	1	
240065	SS-WRC-04	Polyfab Pro Rope Clamp		AISI 316 Stainless Steel	1/each	4 mm	1200	
240058	SS-RTH-1150	Polyfab Pro Round Thimble		AISI 316 Stainless Steel	1/each	11 x 50 mm	1	
240097	SS-SC-15	Polyfab Pro Safety Cable		AISI 316 Stainless Steel	1/each		1	
240010	SS-SBF-08	Polyfab Pro Shackle Bow		AISI 316 Stainless Steel	1/each	8 mm	450	M8
240012	SS-SBF-12	Polyfab Pro Shackle Bow		AISI 316 Stainless Steel	1/each	12 mm	120	M12
240011	SS-SBF-10	Polyfab Pro Shackle Bow		AISI 316 Stainless Steel	1/each	10 mm	200	M10
240107	SS-HKS-10	Polyfab Pro Spring Hook		AISI 316 Stainless Steel	1/each	10 mm	1	
240106	SS-HKS-08	Polyfab Pro Spring Hook		AISI 316 Stainless Steel	1/each	8 mm	1	
240077	NP-WRS-03	Polyfab Pro Swaging Sleeve		Nickel Plated Copper	1/each	3.2 mm	1	
240071	NP-WRS-06	Polyfab Pro Swaging Sleeve		Nickel Plated Copper	1/each	6 mm	180	
240072	NP-WRS-08	Polyfab Pro Swaging Sleeve		Nickel Plated Copper	1/each	8 mm	160	
240112	NP-WRS-05	Polyfab Pro Swaging Sleeve for 5mm Wire		Nickel Plated Copper	1/each	5 mm	1	
240063	SS-WRT-10	Polyfab Pro Thimble		AISI 316 Stainless Steel	1/each	10 mm	1	
240061	SS-WRT-06	Polyfab Pro Thimble		AISI 316 Stainless Steel	1/each	6 mm	1000	
240110	SS-WRT-05	Polyfab Pro Thimble		AISI 316 Stainless Steel	1/each	5 mm	1	
240059	SS-WRT-03	Polyfab Pro Thimble		AISI 316 Stainless Steel	1/each	3.2 mm	1	
240062	SS-WRT-08	Polyfab Pro Thimble		AISI 316 Stainless Steel	1/each	8 mm	500	
240040	SS-TRI-06	Polyfab Pro Triangle		AISI 316 Stainless Steel	1/each	6 x 50 mm	500	M6
240041	SS-TRI-08	Polyfab Pro Triangle		AISI 316 Stainless Steel	1/each	8 x 50 mm	350	M8
240108	SS-QLT-06	Polyfab Pro Triangle Quick Link		AISI 316 Stainless Steel	1/each	6 mm	1	
240109	SS-QLT-10	Polyfab Pro Triangle Quick Link		AISI 316 Stainless Steel	1/each	10 mm	1	
240007	SS-TBEE-12	Polyfab Pro Turnbuckle Eye/Eye		AISI 316 Stainless Steel	1/each	12 mm	50	M12
240006	SS-TBEE-10	Polyfab Pro Turnbuckle Eye/Eye		AISI 316 Stainless Steel	1/each	10 mm	100	M10
240005	SS-TBEE-08	Polyfab Pro Turnbuckle Eye/Eye		AISI 316 Stainless Steel	1/each	8 mm	150	M8
240000	SS-TBJJ-08	Polyfab Pro Turnbuckle Jaw/Jaw		AISI 316 Stainless Steel	1/each	8 mm	130	M8
240001	SS-TBJJ-10	Polyfab Pro Turnbuckle Jaw/Jaw		AISI 316 Stainless Steel	1/each	10 mm	80	M10
240002	SS-TBJJ-12	Polyfab Pro Turnbuckle Jaw/Jaw		AISI 316 Stainless Steel	1/each	12 mm	40	M12

Polyfab™ is a trademark of Polyfab USA



565111

## Polyfab™ Shade Sail Edge Webbing

Polyfab Shade Sail Edge Webbing is used for shade structures and shade sails. This polyester webbing has a breaking strength of approximately 4,700 pound force. Available in 20 colors to match Polytex®, Comtex® and Architec 400® extra heavy duty knitted Shadecloth.

ITEM #	COLOR	COLOR #	PUT UP	WIDTH
565135	Antec Orange	22	109 yd.	2 in.
565129	Beige	72	109 yd.	2 in.
565137	Berry	36	109 yd.	2 in.
565121	Black	99	109 yd.	2 in.
565103	Blue	50	109 yd.	2 in.
565109	Bronze	81	109 yd.	2 in.
565131	Cafe Noir	35	109 yd.	2 in.
565113	Charcoal	92	109 yd.	2 in.
565141	Fluoro Green	67	109 yd.	2 in.
565118	Golden Yellow	11	109 yd.	2 in.
565101	Midnight Green	62	109 yd.	2 in.
565105	Navy Blue	51	109 yd.	2 in.
565115	Porcelain	71	109 yd.	2 in.
565139	Purple	58	109 yd.	2 in.
565127	Red	30	109 yd.	2 in.
565111	Sage	19	109 yd.	2 in.
565107	Sandstone	73	109 yd.	2 in.
565125	Silver Gray	91	109 yd.	2 in.
565119	Turquoise	10	109 yd.	2 in.
565133	White	01	109 yd.	2 in.

Polyfab™ is a trademark of Polyfab USA. Polytex®, Comtex® and Architec 400® are registered trademarks of Polyfab USA.



123004

## Awning Hardware – Elbow

Plated, malleable iron. Threaded.

ITEM #	STYLE #	STANDARD PACKAGE	THREADED FOR PIPE SIZE
123002	2	25	3/8 in.
123003	3	25	1/2 in.
123004	4	25	3/4 in.
123005	5	25	1 in.
123008	8	25	1/2 in. x 3/4 in.

123002 - Also available in aluminum.

123003 - Also available in aluminum.

123004 - Also available in aluminum.



293412

### Awning Hardware – Slip-Fit Elbow

Furnished with socket head set screws.

ITEM #	STYLE #	FOR	# OF SET SCREWS	STANDARD PACKAGE
293410	3-S	3/8 in. pipe	2	25
282004	4-S	1/2 in. pipe	2	25
293412	5-SQ	3/4 in. x 3/4 in. pipe	4	25
293413	6-SQ	1 in. x 1 in. pipe	4	25

293410 - Stainless steel set screws.  
 282004 - Also available in malleable iron.  
 293412 - Also available in malleable iron.  
 293413 - Also available in malleable iron.



123389

### Awning Hardware – Slip-Fit Square Elbow

Trivantage® Slip-Fit fittings, made of sturdy, plated, shockproof malleable iron, or plated steel as shown, offer a time and labor saving way to install patio awnings. No threading necessary, as all fittings simply slip on or over pipe frame, and are then secured by means of square head set screws. Slip-Fit fittings permit rapid adjustment when pipe is not cut to exact length.

Plated, malleable iron. Square design ensures a better fitting cover. Used to join front bars with end rafters. Ideal for use in joining right angles of any frame assembly. Furnished with set screws.



225135

ITEM #	STYLE #	FRONT BAR SIZE	RAFTER	STANDARD PACKAGE
123386	285	1/2 in. pipe	1/2 in. pipe	25
123387	287	3/4 in. pipe	3/4 in. pipe	25
123389	289	1 in. pipe	1 in. pipe	25
225135	15-7	1-1/4 in. pipe	1-1/4 in. pipe	25
244540	20-6	1 in. pipe	1 in. pipe	25

225135 - Hot dip galvanized – smooth design, with socket head screw.

Trivantage® is a registered trademark of Glen Raven, Inc.



244540



124702

### Awning Hardware – Pin Or Nut End

Plated, malleable Iron. Threaded and fitted with a nut. Use with side nut hinge or front cotter hinge.

ITEM #	STYLE #	STANDARD PACKAGE	THREADED FOR SIZE
124702	2	25	1/2 in. pipe



281106

## Awning Hardware – Eye End – Aluminum

Threaded.

ITEM #	STYLE #	FOR	STANDARD PACKAGE
281106	5A	3/4 in. pipe	25
293616	4A-4	1/2 in. pipe	25

293616 - Also available in malleable iron.



124002

## Awning Hardware – Eye End – Malleable Iron

Use with side nut hinge or front cotter hinge. Plated, malleable iron. Threaded. Placed on the ends of arms and rafters for fastening onto hinges or jaws.

ITEM #	STYLE #	STANDARD PACKAGE	THREADED FOR SIZE	TYPE
124010	10	25	3/4 in. pipe	Large eye
124007	7	25	1/4 in. pipe or 1/2 in. iron	Large eye
124009	9	25	1/2 in. pipe	Large eye
124012	12	25	1 in. pipe	Small eye
124002	2	25	1/4 in. pipe or 1/2 in. iron	Small eye
124003	3	25	3/8 in. pipe or 5/8 in. iron	Small eye
124004	4	25	1/2 in. pipe	Small eye
124005	5	25	3/4 in. pipe	Small eye

124002 - Also available in aluminum.

124003 - Also available in aluminum.



282191

## Awning Hardware – Slip-Fit Eye End – Aluminum

Furnished with socket head set screws.

ITEM #	STYLE #	FOR	STANDARD PACKAGE
282193	286A-304	1/2 in. pipe	25
282190	290A-305	3/4 in. pipe	25
282191	291A-315	1 in. pipe	25
282122	25	1/4 in. pipe	25

282122 - Also available in malleable iron.



124190

## Awning Hardware – Slip-Fit Eye End

Trivantage® Slip-Fit fittings, made of sturdy, plated, shockproof malleable iron, or plated steel as shown, offer a time and labor saving way to install patio awnings. No threading necessary, as all fittings simply slip on or over pipe frame, and are then secured by means of square head set screws. Slip-Fit fittings permit rapid adjustment when pipe is not cut to exact length. A specially designed, plated, malleable iron eye end, properly proportioned for greatest rigidity.

Small eye permits snug fit between eye end and rod and rafter holder. Barrel depth of 2 inch assures greater holding power between eye end and pipe. Furnished with set screw.

ITEM #	STYLE #	MAXIMUM BOLT STANDARD	SIZE	STANDARD PACKAGE
124188	286	1/4 in.	1/2 in. pipe	25
124190	290	7/16 in.	3/4 in. pipe	25
124191	291	7/16 in.	1 in. pipe	25
124192	292	1/2 in.	1-1/4 in. pipe	25

124190 - Also available in aluminum.

124191 - Also available in aluminum.

Trivantage® is a registered trademark of Glen Raven, Inc.



281680

## Awning Hardware – Front Bar Clamp – Aluminum

Front bar clamps provide fast and complete slip fit of pipe rafter to front bar. Simply tighten the set screws which are furnished and the operation is complete.

ITEM #	STYLE #	FOR	STANDARD PACKAGE
281680	380-A	3/4 in. x 3/4 in. pipe	25
281681	381-A	1 in. x 1 in. pipe	25



130581

## Awning Hardware – Slip-Fit Adjustable Front Bar

Trivantage® Slip-Fit fittings, made of sturdy, plated, shockproof malleable iron, or plated steel as shown, offer a time and labor saving way to install patio awnings. No threading necessary, as all fittings simply slip on or over pipe frame, and are then secured by means of square head set screws. Slip-Fit fittings permit rapid adjustment when pipe is not cut to exact length.

A fitting made of plated steel clamps and zinc die-cast collar, with many applications where a sturdy reinforced assembly is required. Ideal for patio awning pipe frame assemblies, supporting pipe posts, pipe braces, and all types of special pipe frames.

The interlocking three-piece fitting provides a rigid, low cost assembly. Slip top section over pipe and adjust to desired position. Tighten set screw. Both hands are free to quickly bolt interlocking bottom section to top section for completed assembly.

ITEM #	STYLE #	FRONT BAR SIZE	REDUCING FOR PIPE SIZE	STANDARD PACKAGE
130580	280	3/4 in. pipe	3/4 in. pipe	25
130581	281	1 in. pipe	1 in. pipe	25
130582	282	1 in. pipe	3/4 in. pipe	25

Tolerance on sand casting: 1/32 inch to 4 inch dimension, 3/64 inch to 4 inch to 8 inch dimension. Tolerance on die casting: ± 0.005 inch.

Trivantage® is a registered trademark of Glen Raven, Inc.



112504

### Awning Hardware – Head Rod Clamp – Zinc Die Cast

A fixture designed for attaching the head rod of an awning to various building surfaces, as well as providing hooks for hanging awning pulleys. Plated, zinc die-cast.



112509

ITEM #	STYLE #	FOR	SIZE HEAD ROD	STANDARD PACKAGE
112504	4	Wood	1/2 in. diameter iron	25
112509	6	Wood	1/2 in. diameter iron	25
112501	1	Wood	3/8 in. diameter iron	25
112505	5	Wood	3/8 in. diameter iron	25



112501

112509 - Stainless steel fasteners.



112630

### Awning Hardware – Head Rod Clamp – Narrow Base Type – Zinc Die Cast

A fixture designed for attaching the head rod of an awning to various building surfaces, as well as providing hooks for hanging awning pulleys. Plated, zinc die-cast.

One countersunk hole for wood screw provides quick and solid installation. Furnished with machine bolt and wing nut.

ITEM #	STYLE #	SIZE HEAD ROD	STANDARD PACKAGE
112630	30Z	1/2 in. diameter iron	25

112630 - Also available in aluminum.



112510

### Awning Hardware – Head Rod Clamp – Roller Curtain Type – Malleable Iron

A fixture designed for attaching the head rod of an awning to various building surfaces, as well as providing hooks for hanging awning pulleys.



112521

Plated, malleable iron. Fastens on inside of porch so that pulleys and pull ropes are on inside of curtain. Can be attached to either face board or ceiling.

ITEM #	STYLE #	FOR	SIZE HEAD ROD	STANDARD PACKAGE
112510	10	Brick	3/8 in. or 1/2 in. diameter iron	25
112521	21	Wood	3/8 in. or 1/2 in. diameter iron	25



281530

### Awning Hardware – Head Rod Clamp – For Narrow Base Installation – Aluminum

One countersunk hole provided for wood screw. Extra strong aluminum bolts and non-ferrous zinc wing nuts.

ITEM #	STYLE #	FOR	STANDARD PACKAGE
281530	30A-40	1/2 in. rod	25



281510

### Awning Hardware – Head Rod Clamp – For Brick Or Stone – Aluminum

Furnished with hole for 3/8 inch diameter lag. Includes machine screw and wing nuts.

ITEM #	STYLE #	FOR	STANDARD PACKAGE
281510	10A-4	1/2 in. rod	25



281501

### Awning Hardware – Head Rod Clamp – For Wood – Aluminum

Furnished with two countersunk holes to accommodate No. 10 wood screws. Includes machine screw and wing nuts.

ITEM #	STYLE #	FOR	STANDARD PACKAGE
281501	03	3/8 in. rod	25
281505	5A-1	3/8 in. rod	25
281506	6A-2	1/2 in. rod	25



281505



140104

### Awning Hardware – Rod And Rafter Holder No. 4

Rod and rafter holders are designed for attaching heads and rafters of patio or stationary awnings, eliminating the need for separate clamps for head rod or hinges for the rafters. Made of plated, malleable iron. Furnished with machine bolt and wing nut to hold the head rod, machine screw and square nut, for fastening the rafter.

A combination fixture for application on brick, wood or concrete. It has two countersunk holes for wood screws. There is also a hole for a 5/16 inch or 3/8 inch lag screw. The No. 4 Rod and Rafter Holder is especially suitable for application and installation on narrow trim boards.

ITEM #	STYLE #	SIZE HEAD ROD	STANDARD PACKAGE
140104	4	1/2 in. diameter iron	25





284093

### Awning Hardware – Bracket Hinge – Aluminum

For wood. Two countersunk holes for wood screws. Furnished with machine screw. Also available in zinc die-cast.

ITEM #	STYLE #	PROJECTION	STANDARD PACKAGE
284093	OBA-3	1 in.	25



286204

### Awning Hardware – Swivel Eye Pulley – Aluminum Die Cast

Aluminum die cast with stainless steel pin.

ITEM #	STYLE #	ROPE DIAMETER	SHEAVE DIAMETER	STANDARD PACKAGE	STYLE SHEAVE
286204	1A	3/16 in.	1/2 in.	25	Single
286212	11A	3/16 in.	1/2 in.	25	Double



286212



157500

### Awning Hardware – Swivel Eye Pulley – Stamped

Stamped aluminum with an aluminum pin. Rustproof with smooth rounded top section housing to keep swivel eye from contact with rope. ABS plastic sheaves rotate freely on aluminum rivet.

ITEM #	STYLE #	ROPE DIAMETER	SHEAVE DIAMETER	STANDARD PACKAGE	STYLE SHEAVE
157500	60	1/8 in.	1/2 in.	100	Single
157501	61	3/16 in.	5/8 in.	100	Single
157502	62	3/16 in.	27/32 in.	100	Single



266678

### Awning Hardware – Pulley – Malleable Iron

Plated malleable iron.

ITEM #	STYLE #	ROPE DIAMETER	STANDARD PACKAGE	STYLE SHEAVE
266678	5	3/8 in.	25	Single



284106

### Awning Hardware – Rod And Rafter Holders – Dual Duty – Aluminum

Made to take 1/2 inch head rod. Designed to mount with either wood screws or lag bolt. Furnished with machine screws and wing nut.

ITEM #	STYLE #	FOR	STANDARD PACKAGE
284106	99A-99	1/2 in. rod	25



284103

### Awning Hardware – Rod And Rafter Holders – For Brick Or Wood – Aluminum

Rod and Rafter Holders furnished with machine screws and wing nut. Also available in iron.

ITEM #	STYLE #	FOR	STANDARD PACKAGE
284103	3A-89	1/2 in. rod	25



113234

### Awning Hardware – Slip-Fit Tie-Down Clamp

Trivantage® Slip-Fit fittings, made of sturdy, plated, shockproof malleable iron, or plated steel as shown, offer a time and labor saving way to install patio awnings. No threading necessary, as all fittings simply slip on or over pipe frame, and are then secured by means of square head set screws. Slip-Fit fittings permit rapid adjustment when pipe is not cut to exact length.



113236

Plated, stamped steel with stainless steel bolt. Tie-down clamps are designed to eliminate pocketing of rain water on stationary or terrace awnings. Their use permits stationary awning covers to be drawn taut. Assembly can be made quickly on new stationary awning frames as well as old ones. Furnished with carriage bolt and hex nut.

ITEM #	STYLE #	FRONT BAR SIZE	STANDARD PACKAGE
113233	33	3/4 in. pipe	25
113234	34	1 in. pipe	25
113236	34A	1 in. pipe	25
113235	35	1-1/4 in. pipe	25

113236 - The longer projection of this pipe clamp allows the installer to pull the fabric tighter on the frame. A 2-1/4 inch tabling must be used on the 34A for the installer to achieve the proper torque. Furnished with 2 carriage bolts and flange nuts.

Trivantage® is a registered trademark of Glen Raven, Inc.



281700

### Awning Hardware – Slip-Fit Tie-Down Clamp – Aluminum

Slip-fit tie-down clamps prevent water pockets behind the front bar. This clamp fastens to the front bar and holds a 3/8 inch pipe or 5/8 inch rod. Furnished with machine bolt and hex nut. Also available in steel.

ITEM #	STYLE #	FOR	STANDARD PACKAGE
281700	77	3/4 in. pipe	25
281699	78	1 in. pipe	25



287803

### Awning Hardware – Slip-Fit Adjustable Post Socket – For Brick – Aluminum

Furnished with square head set screw for slip-fit installation.

ITEM #	STYLE #	PIPE	STANDARD PACKAGE
287803	3A-205L	3/4 in. Slip-Fit	25
287804	4A-206L	1 in. Slip-Fit	25



215020

### Awning Hardware – Slip-Fit Coupling

Trivantage® Slip-Fit fittings, made of sturdy, plated, shockproof malleable iron, or plated steel as shown, offer a time and labor saving way to install patio awnings. No threading necessary, as all fittings simply slip on or over pipe frame, and are then secured by means of square head set screws. Slip-Fit fittings permit rapid adjustment when pipe is not cut to exact length.

ITEM #	STYLE #	FINISH	FRONT BAR SIZE	MATERIAL	STANDARD PACKAGE
215020	14-6	Galvanized	1 in. pipe	Iron	25

Trivantage® is a registered trademark of Glen Raven, Inc.



163704

### Awning Hardware – Slip-Fit Adjustable Post Socket – For Brick – Malleable Iron

Trivantage® Slip-Fit fittings, made of sturdy, plated, shockproof malleable iron, or plated steel as shown, offer a time and labor saving way to install patio awnings. No threading necessary, as all fittings simply slip on or over pipe frame, and are then secured by means of square head set screws. Slip-Fit fittings permit rapid adjustment when pipe is not cut to exact length.

Furnished with two lag screw holes for attaching to brick. Plated, malleable iron, furnished with set screw. Also available in aluminum.

ITEM #	STYLE #	SIZE POST	STANDARD PACKAGE
163703	3	3/4 in. pipe	25
163704	4	1 in. pipe	25

Trivantage® is a registered trademark of Glen Raven, Inc.



174375



174377

### Awning Hardware – Slip-Fit Tee

Trivantage® Slip-Fit fittings, made of sturdy, plated, shockproof malleable iron, or plated steel as shown, offer a time and labor saving way to install patio awnings. No threading necessary, as all fittings simply slip on or over pipe frame, and are then secured by means of square head set screws. Slip-Fit fittings permit rapid adjustment when pipe is not cut to exact length.

Plated, malleable iron. Special cast lip on inside of slip tee prevents inserted pipe from interfering with pipe crossing in other direction. Can be used for: joining upright posts to front bars, joining rafters to front bars, joining special types of frames, such as carports, carnival booths, etc. Furnished with set screws.

ITEM #	STYLE #	EXTENSION	FRONT BAR SIZE	STANDARD PACKAGE
174375	275	1/2 in. pipe	1/2 in. pipe	25
174377	277	3/4 in. pipe	3/4 in. pipe	25
174379	279	1 in. pipe	1 in. pipe	25
225121	25-2	3/4 in. pipe	3/4 in. pipe	25
274030	25-7	1-1/4 in. pipe	1-1/4 in. pipe	25

274030 - Hot dip galvanized – does not have cast lip, with socket head screw.

Trivantage® is a registered trademark of Glen Raven, Inc.



163702

### Awning Hardware – Slip-Fit Adjustable Post Socket – For Wood – Malleable Iron

Trivantage® Slip-Fit fittings, made of sturdy, plated, shockproof malleable iron, or plated steel as shown, offer a time and labor saving way to install patio awnings. No threading necessary, as all fittings simply slip on or over pipe frame, and are then secured by means of square head set screws. Slip-Fit fittings permit rapid adjustment when pipe is not cut to exact length.

Furnished with four wood screw holes for attaching to wood. Plated, malleable iron, furnished with set screw.

ITEM #	STYLE #	SIZE POST	STANDARD PACKAGE
163701	1	3/4 in. pipe	25
163702	2	1 in. pipe	25

Trivantage® is a registered trademark of Glen Raven, Inc.



173504

### Slip Tee

Plated, malleable Iron. The run is not threaded and can be slipped over the front bar. The extension outlet is tapped.



173604

ITEM #	STYLE #	EXTENSION BAR THREADED	FRONT (SLIP FIT)	STANDARD PACKAGE	TYPE
173504	4	3/4 in. pipe	3/4 in. pipe	25	Without set screws
173604	4	3/4 in. pipe	3/4 in. pipe	25	With set screws
173622	22	1/2 in. pipe	1/2 in. pipe	25	With set screws



288144

### Awning Hardware – Slip-Fit Rafter And Upright Tees

Designed for quick and efficient slip-fit installation at rafter and front bar.



288147

Connect No. 600 and No. 601 slip tees to create corners. These rafter and upright slip tees for 1 inch Schedule 40 pipe are adjustable to 90°. Use interchangeable No. 600's together for other areas. All slip tees are furnished with stainless steel set screws.

ITEM #	STYLE #	FOR	STANDARD PACKAGE
288144	600	1 in. x 1 in. pipe	25
288147	601	1 in. x 1 in. pipe	25

288144 - Replaces the 53A-311 and 43A-312.



138002

### Awning Hardware – Spear Head

Supplied in standard plain finish or plated, ductile iron.



138102

ITEM #	STYLE #	DESCRIPTION	SIZE	STANDARD PACKAGE	THREADED FOR SIZE
138002	2	Plain	9-1/2 in.	25	1/2 in. pipe
138102	2	Plated	9-1/2 in.	25	1/2 in. pipe



283902

### Awning Hardware – Spear Head – Aluminum

Spear head with male threaded ends.

ITEM #	STYLE #	LENGTH	STANDARD PACKAGE	THREADED FOR PIPE SIZE
283902	2A-103	8-1/2 in.	25	1/2 in. male thread

### Awning Hardware – Pipe Clamp – Wrought Steel

Plated. Designed for a carriage bolt to prevent bolt head from turning when nut is tightened. Bolt included unless stated otherwise.

ITEM #	STYLE #	DESCRIPTION	BOLT SIZE	PIPE	STANDARD PACKAGE
112833	43	Bolt excluded	5/16 in.	3/4 in.	25
112834	44	Bolt excluded	5/16 in.	1 in.	25
112842	42	Bolt included	5/16 in.	1/2 in.	25
112843	43	Bolt included	5/16 in.	3/4 in.	25
112844	44	Bolt included	5/16 in.	1 in.	25
112848	43	Bolt included	3/8 in.	3/4 in.	25
112849	44	Bolt included	3/8 in.	1 in.	25



138615

### Awning Hardware – Bracket Hinge

Plated, die-cast zinc. Furnished with machine screw and hex nut. Also available in aluminum.

ITEM #	STYLE #	PROJECTION	STANDARD PACKAGE
138615	O-B	1 in.	25



138737

### Awning Hardware – Camelback Hinge – Zinc Die-Cast

Plated, zinc die-cast. Fastens the projection arms of awning frames to a building. Furnished with machine screws.



238020

No. 11 is identical in design to the No. 2, but has a round head shoulder screw with "pilot" for holding No. 1 Sheet Brass Grommets.

ITEM #	STYLE #	PROJECTION	STANDARD PACKAGE
138737	11	11/16 in.	25
238020	2	11/16 in.	25

238020 - Also available in aluminum.



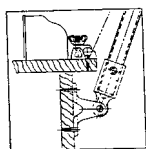
263913

### Awning Hardware – Round Head Machine Screw



263923

ITEM #	DESCRIPTION	FOR	MATERIAL	SIZE	STANDARD PACKAGE
263913	Round Head Machine Screw	No. 11 and C.B. Hinge	Plated	12-24 x 7/8 in.	100
263923	Round Head Shoulder Screw	No. 2 C.B. Hinge, No 34. S.S. Hinge	Stainless Steel	12-24 x 3/4 in.	100



### Awning Hardware – Extra Projection Hinge

Made of plated, malleable iron. Designed for box type awning or casement windows. Extra projection allows awning frame to fold flat against building. Pipe clamps on lower frame are easily moved to align frame with building. Also designed for ranch-type homes for use on ceiling of “overhang” when standard rod and rafter holder would not be suitable. Used with No. 30 Head Rod Clamp with fastening holes and shipped with Round Head Machine Screw.



139180

ITEM #	STYLE #	PROJECTION	STANDARD PACKAGE
139180	15	1-1/2 in.	25



139064

### Awning Hardware – Hinge – Stamped Steel

Plated. Furnished with machine screw.

ITEM #	STYLE #	GAUGE	STANDARD PACKAGE
139064	34	14	25



124504

### Awning Hardware – Jaw End With Lag Screw

Used to attach awning frame to a brick surface. Furnished with machine screw and square nut. Projection is from shoulder of jaw to center of bolt hole in jaw.

ITEM #	STYLE #	JAW OPENING	LAG SCREW SIZE	MATERIAL	PROJECTION	STANDARD PACKAGE	USE EXPANSION SHIELD
124504	4	7/16 in.	3/8 in. x 2-1/2 in.	Aluminum Extrusion	1-1/2 in.	25	3/8 in. x 2 in.



267301

### Awning Hardware – Hinge Silencer Spring

Easily installed between the eye end of the awning frame and the hinge to absorb play and eliminate noise and rattle. Made of fine quality plated, tempered strip steel.

ITEM #	STANDARD PACKAGE
267301	25



136002

### Gudgeon – Square Hole

For worm gears. For round shaft of center support.

ITEM #	FOR	STANDARD PACKAGE
136002	1-1/2 in. ID pipe	1



106708

### Winding Brace

Made of rigid plated steel with steel socket for 5/8 inch iron pipe. Fitted with 4 inch hardwood grip handles.

ITEM #	STYLE #	BRACE SWEEP	SIZE	STANDARD PACKAGE
106708	8	14 in.	5/8 in.	1



141001

### Worm Gear Attachments – Combination Coupling And Hook

Specially designed plated, malleable iron hook to securely engage eye of winding shaft when operating awning with winding brace. Standard equipment on all Trivantage® gears. Slips over 3/4 in. steel shaft. Furnished with round head machine screw.

ITEM #	STYLE #	STANDARD PACKAGE
141001	1	25



147002

### Worm Gear Attachments – Universal Or Knuckle Joint

Used for connecting worm gear drive shaft or for splicing two drive shafts. Made of plated, malleable iron sockets with steel, square knuckles.

ITEM #	STYLE #	FOR	STANDARD PACKAGE
147002	2	3/4 in. x 3/4 in. iron	25



126001

### Worm Gear Attachments – Winding Shaft Eye

Reinforced, plated, malleable iron eye, easily attaches to winding shaft with M6 (metric) bolt.

ITEM #	STYLE #	FOR	STANDARD PACKAGE
126001	1	1/2 in. iron	25
126002	2	5/8 in. iron	25
126003	3	3/8 in. pipe	25



158342

### Pulley – Stamped Steel – Swivel Eye

ABS Plastic Single Sheave. Full-bearing, with heavy wire, open end swivel eyes that function smoothly. Sheaves prevent rope from being cut or frayed. Plated.

ITEM #	STYLE #	PUT UP	ROPE DIAMETER	SHEAVE DIAMETER	STANDARD PACKAGE	STYLE SHEAVE
158340	50		1/8 in.	1/2 in.	25	Single
158341	100		3/16 in.	5/8 in.	25	Single
158342	300	1	1/4 in.	1 in.	25	Single

158340 - Also available in aluminum.

158341 - Also available in aluminum.



256103

### Pulley – Swivel Eye

Made with high grade cast iron swivel eyes and bodies, steel rivets and steel sheaves. Nickel-plated and lacquered for extra rust protection.

ITEM #	STYLE #	ROPE DIAMETER	SHEAVE DIAMETER	STANDARD PACKAGE	STYLE SHEAVE
256103	1	3/16 in.	3/4 in.	25	Single
256104	2	3/16 in.	3/4 in.	25	Double
256105	3	1/4 in.	1 in.	25	Single
256106	3/0	1/8 in.	1/2 in.	25	Single
256107	4/0	1/8 in.	1/2 in.	25	Double
256101	5	3/8 in.	1-1/4 in.	25	Single
256102	6	3/8 in.	1-1/2 in.	25	Double

256103 - Also available in aluminum.

256104 - Also available in aluminum.

256105 - Also available in aluminum.



256102

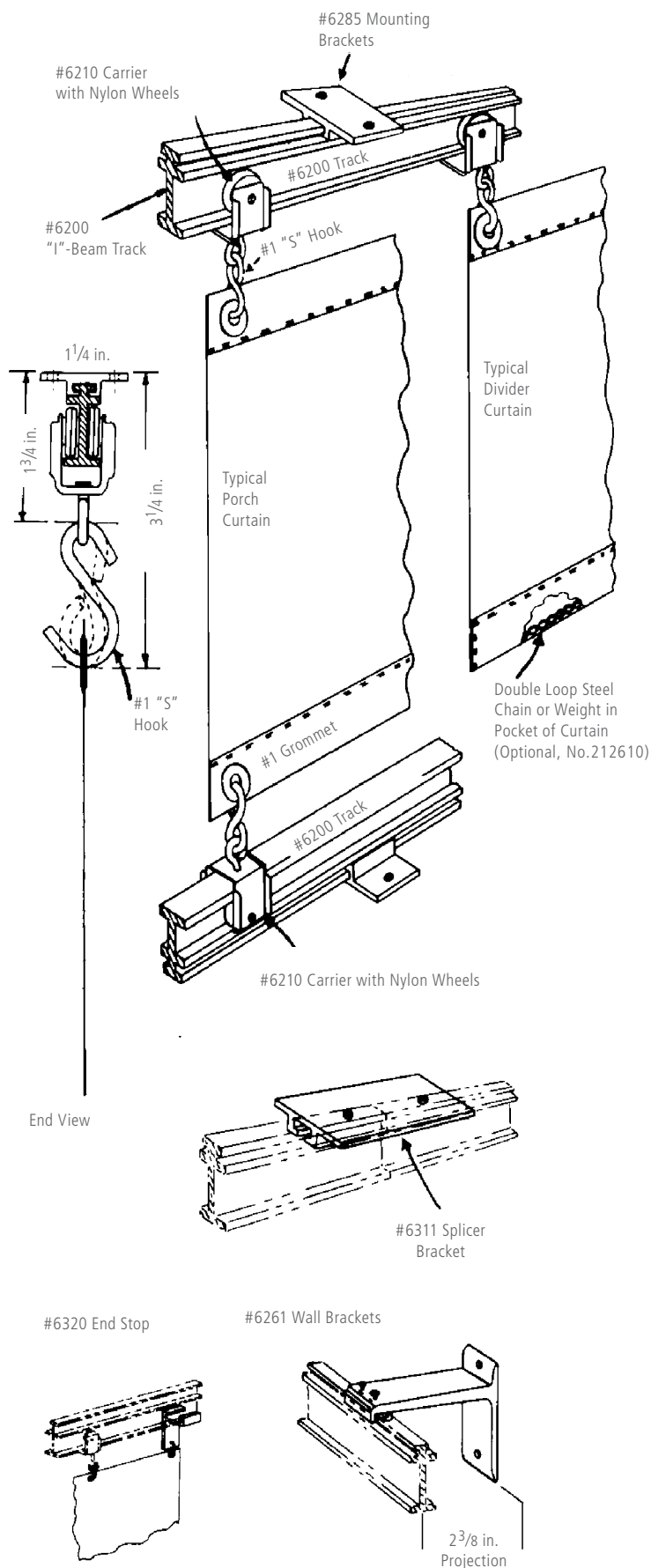


274819

## Tip – Rubber

Eliminates damage or wear on fabric end curtains of patio awning where a Tie-Down Bar is used. Slips over ends of pipe used on roller curtains, to prevent end of pipe from chafing side of house. Can also be used on mooring poles to prevent marring boat floor.

ITEM #	STYLE #	DESCRIPTION	COLOR	FOR	STANDARD PACKAGE
476095	18	Tip with Stud	White	3/4 in. tubing	1
274817	17	Tip	Black	5/8 in. tubing, 3/8 in. pipe	10
274819	19	Tip	Black	7/8 in. tubing, 1/2 in. pipe	10
274815	18	Tip	White	3/4 in. tubing	10
274816	17	Tip	White	5/8 in. tubing, 3/8 in. pipe	10
274818	19	Tip	White	7/8 in. tubing, 1/2 in. pipe	10



### Track – Lightweight Aluminum Track No. 6200

A versatile, lightweight, aluminum track of sturdy "I" Beam construction. Excellent for installation and operation of any width fabric curtain up to 12 foot high. The streamlined design of this extruded aluminum track provides a sturdy construction and attractive appearance. The track can be bent manually to form curves of any radius greater than 6 inches. Friction-free nylon wheel carriers, normally spaced 12 inches apart, have heavy metal eyes accommodating Trivantage® No. 1 "S" Hooks to secure grommet in curtain to the carrier. For installation, the Trivantage No. 6200 Track is supported by slip-on brackets that are easily mounted to ceiling or wall. Slip-on track splicers and end stops can be easily installed on the job.

Mounting bracket #6285 is for attachment directly to ceiling and should be spaced 2 feet 6 inches to 3 feet apart. Wall mounting bracket #6261 provides 2-3/8 inches of projection from wall and should be spaced 2 feet 6 inches apart.

The zinc-plated steel carrier #6210 with zinc-plated steel swivel eye is normally spaced 12 inches apart.

Splicer bracket #6311 slips over top of track and locks two sections together with set screws. End stop #6320 is a slip-on attachment for track ends.

Recommended for interior use only.

ITEM #	STYLE #	DESCRIPTION	STANDARD PACKAGE
211410	6210 Part 2-67	Carriers with Nylon Wheels	100
206815	6285 Part 2-55	Ceiling Mounting Bracket	50
268320	6320 Part 2-55	End Stop	20
275621	6200	I-Beam Track 12 ft.	60 ft.
267141	6311 Part 2-55	Splicer Bracket	10
206821	6261 Part 2-55	Wall Mounting Bracket	40

Trivantage® is a registered trademark of Glen Raven, Inc.



## Track – Steel Curtain Track System – 12 Gauge – Roller Track

Create privacy and partitions with the Trivantage® line of curtain hardware. This 12 gauge galvanized steel system includes a range of products that suspend and anchor the curtain system, as well as a variety of trolleys that allow the curtains to roll.

ITEM #	STYLE #	DESCRIPTION	GAUGE	LENGTH	MATERIAL	STANDARD PACKAGE
206838	12RT-240	Track	12	20 ft.	Galvanized Steel	200

Trivantage® is a registered trademark of Glen Raven, Inc.

## Track – Steel Curtain Track System – 12 Gauge – Industrial Curtain Trolley

Create privacy and partitions with the Trivantage® line of curtain hardware. This 12 gauge galvanized steel system includes a range of products that suspend and anchor the curtain system, as well as a variety of trolleys that allow the curtains to roll.

ITEM #	STYLE #	DESCRIPTION	GAUGE	STANDARD PACKAGE
206836	12SR2-1/2(1/4)	Two-Wheel Trolley with Steel Wheels	12	1

Trivantage® is a registered trademark of Glen Raven, Inc.



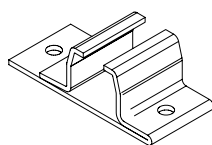
206837

## Track – Steel Curtain Track System – 12 Gauge – Track Splice

Create privacy and partitions with the Trivantage® line of curtain hardware. This 12 gauge galvanized steel system includes a range of products that suspend and anchor the curtain system, as well as a variety of trolleys that allow the curtains to roll.

ITEM #	STYLE #	DESCRIPTION	GAUGE	STANDARD PACKAGE
206837	12TSWMU	Splice Wall Mount Up 4 in.	12	10

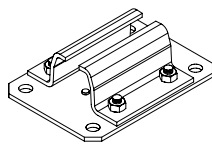
Trivantage® is a registered trademark of Glen Raven, Inc.



206861

## Track – Steel Curtain Track System – 16 Gauge – Ceiling Support Brackets

Create privacy and partitions with the Trivantage® line of curtain hardware. This 16 gauge galvanized steel system includes a range of products that suspend and anchor the curtain system, as well as a variety of trolleys that allow the curtains to roll.



206865

Track can be attached to the ceiling support hardware either before or after it is secured to the ceiling. There are no screws or nuts to hold the track in place protruding above the mounting plates. This eliminates the need for spacers or clearance holes in the ceiling. Ceiling support mounting plates (except the 16TBC, item# 206861) have bosses to lock the track in the ceiling support mounting hardware.

ITEM #	STYLE #	DESCRIPTION	GAUGE	STANDARD PACKAGE
206861	16TBC	Ceiling Bracket	16	10
206865	16TSC	Ceiling Bracket	16	10

Trivantage® is a registered trademark of Glen Raven, Inc.

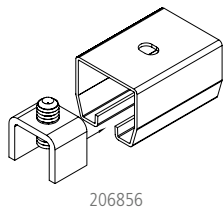




### Track – Steel Curtain Track System – 16 Gauge – Curved Track

The standard curved track has end connectors for securing to adjacent sections of the roller track. The standard curve has a two-foot 90-degree radius.

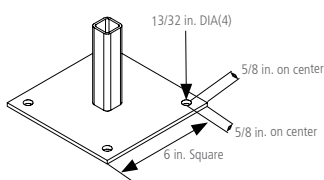
ITEM #	STYLE #	DESCRIPTION	GAUGE	STANDARD PACKAGE
206854	16CT	Curved Track – 90 degree 2 ft. radius	16	25



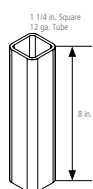
### Track – Steel Curtain Track System – 16 Gauge – End Stops

End stops are used to prevent trolleys from rolling out of the ends of the track system.

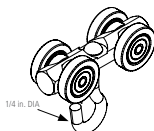
ITEM #	STYLE #	GAUGE	STANDARD PACKAGE
206856	ES	16	50



206843



206842



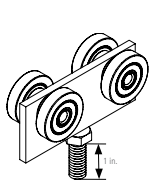
206870

### Track – Steel Curtain Track System – 16 Gauge – Industrial Curtain Trolley

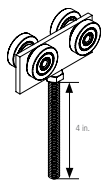
Create privacy and partitions with the Trivantage® line of curtain hardware. This 16 gauge galvanized steel system includes a range of products that suspend and anchor the curtain system, as well as a variety of trolleys that allow the curtains to roll.

Industrial curtain trolley is designed for larger, heavier curtains.

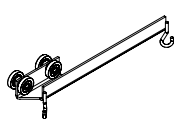
Two wheel trolleys with bumpers should be used in applications where the wheels of consecutive bumperless trolleys would rub together. In this case, the trolley frame extends beyond the outer portion of the wheel acting as a bumper. When the curtain weight exceeds 100 pounds or the curtain height is over 15 feet, steel ball bearing wheels should be used.



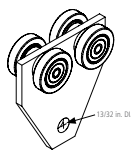
206867



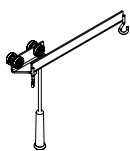
206878



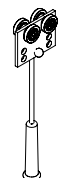
206845



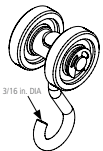
206881



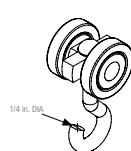
206834



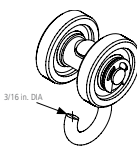
206839



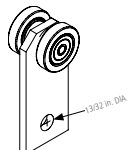
206868



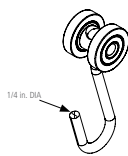
206869



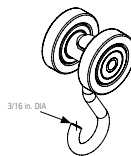
206835



206877



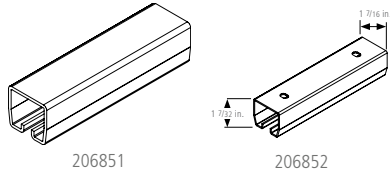
207880



206844

ITEM #	STYLE #	DESCRIPTION	STANDARD PACKAGE
206843	BS6	Base Plate	1
206842	A256-8	Floor Column Square – 8 ft.	1
206870	16ST1	Four-Wheel Trolley and Steel Wheels – 1" Hook	1
206867	16STS-4	Four-Wheel Trolley with Bumper and Steel Wheels – 1" Bolt	10
206878	16STS-4	Four-Wheel Trolley with Bumper and Steel Wheels – 4" Bolt	10
206845	16OT	Four-Wheel Trolley with Overlapping Wheels	1
206881	16ST	Four-Wheel Trolley with Plate	1
206834	B3491-10	Overlapping Trolley with Steel Wheels and Pull Rope – 10 ft.	1
206839	B3427-10	Trolley with Pull Rope – 10 ft.	1
206868	16NR1B	Two-Wheel Trolley with Bumper and Nylon Wheels	1
206869	16SR1B	Two-Wheel Trolley with Bumper and Steel Wheels	1
206866	16NR1	Two-Wheel Trolley with Nylon Wheels	5
206835	16NR-1/2	Two-Wheel Trolley with Nylon Wheels	1
206877	16SR	Two-Wheel Trolley with Rectangular Plate and Steel Wheels	1
207880	16SR2-1/2(1/4)	Two-Wheel Trolley with Steel Wheels	1
206844	16SR1	Two-Wheel Trolley with Steel Wheels	1

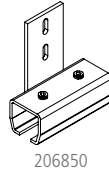
Trivantage® is a registered trademark of Glen Raven, Inc.



### Track – Steel Curtain Track System – 16 Gauge – Roller Track

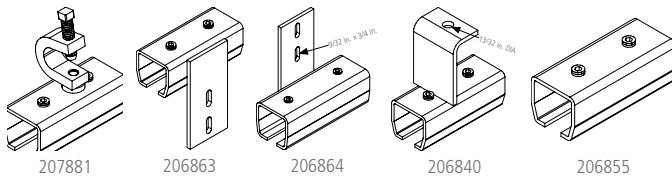
The roller track is roll formed from 16 gauge hot dipped galvanized steel. The trolley wheels roll on the track floor between the outside track wall and the inside safety flange. The ends of the track are punched so that the track splices can lock two adjoining track ends together.

ITEM #	STYLE #	GAUGE	LENGTH	MATERIAL	STANDARD PACKAGE
206851	16RT-120	16	10 ft.	Galvanized Steel	250
206852	16RT-240	16	20 ft.	Galvanized Steel	200



### Track – Steel Curtain Track System – 16 Gauge – Components

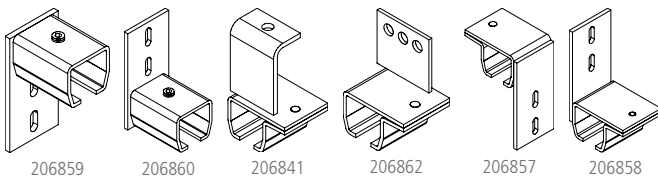
ITEM #	STYLE #	DESCRIPTION	STANDARD PACKAGE
206850	16TSMUSS	Splice Wall Mount Up – 4 in.	10



### Track – Steel Curtain Track System – 16 Gauge – Track Splice

The track splice is used to secure two straight sections of track together.

ITEM #	STYLE #	DESCRIPTION	GAUGE	MATERIAL	STANDARD PACKAGE
207881	16TSEC	Edge Clamp	16	Galvanized Steel	1
206863	16TSWMD	Splice Wall Mount Down – 4 in.	16	Galvanized Steel	10
206864	16TSWU	Splice Wall Mount Up – 4 in.	16	Galvanized Steel	10
206840	16TSTR	Splice with Angle Bracket	16	Galvanized Steel	1
206855	16TS	Splice – 4 in. with 2 Set Screws	16	Galvanized Steel	10



### Track – Steel Curtain Track System – 16 Gauge – Wall Mount And End Mount Brackets

Wall mount and end mount brackets are used when the track system is running adjacent to a wall.

ITEM #	STYLE #	DESCRIPTION	GAUGE	STANDARD PACKAGE
206859	16EMD	End Mount Down	16	10
206860	16EMU	End Mount Up	16	10
206833	16TBATR	Right Angle Threaded Rod Bracket	16	1
206841	16TBTR	Threaded Rod Bracket	16	1
206862	16TBV	Vertical Bracket	16	10
206857	16TBWMD	Wall Mount Down	16	10
206858	16TBWU	Wall Mount Up	16	10

## Porcelain Rings



260981

Porcelain Rings are manufactured with a strong and smooth finish for longer rope life. Gray color. Use clips shown below for suspending rings.

ITEM #	STYLE #	APPROXIMATE INSIDE DIAMETER	APPROXIMATE OUTSIDE DIAMETER	COLOR	SIZE	STANDARD PACKAGE
260981	1	3/4 in.	1-5/8 in.	Gray	Small	25
260982	2	1 in.	2 in.	Gray	Medium	25

## Ring Clips



117201

ITEM #	STYLE #	FINISH	STANDARD PACKAGE	TYPE
117203	1	Plated Steel	25	Heavy
117201	2	Plated Steel	25	Standard
117205	3	Stainless Steel	25	

## Chain – Double Loop Steel



212610

This galvanized steel chain is ideal for application in awning curtain pockets as a "weight" to prevent curtain from flapping in the wind. Also, practical for supporting "hanging canopies" and "stationary awnings", or as a chain lift on slide rod awnings, etc. Flexible and strongly made, heavy and of rigid galvanized steel wire.

ITEM #	STYLE #	STANDARD PACKAGE
212610	1/0	100 ft.

## Cleat – Awning



214201

These rope cleats offer strong and durable design for outdoor use.

ITEM #	STYLE #	DRILLED FOR	FOR	LENGTH	MATERIAL	# OF HOLES	STANDARD PACKAGE
214201	1	No. 8 wood screw		4-1/2 in.	Zinc Die-Cast	2	25
266676	2	No. 10 wood screw		6 in.	Zinc Die-Cast	2	100
281702	2A-2		3/4 in. pipe	6 in.	Aluminum	2	25

## Curtain Loop – Shower/Bath



249614

Nickel plated steel.

ITEM #	STYLE #	SIZE	STANDARD PACKAGE
249614	30570	1 in.	25

## Hook – Roller



294650

For attaching a roller curtain to pipe, or tubing. Can be used for underneath an awning or canopy, or in a stand-alone application.

ITEM #	STYLE #	SIZE OPENING	STANDARD PACKAGE
294650	101	3/4 in. or 1 in. pipe	25



223680



223687

## Disc And Prong

Brass discs and prongs with slightly larger dimensions. One set includes two discs and one prong.

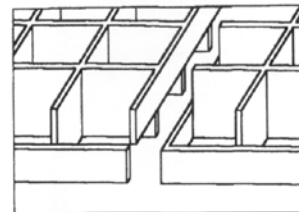
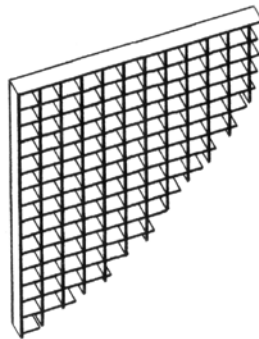
ITEM #	DESCRIPTION	MATERIAL	STANDARD PACKAGE
223680	Prong	Brass	500
223687	Disc	Brass	1000

## Fluorescent Eggcrate Louvers

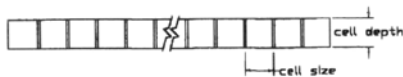
Eggcrate louvers have a perimeter which allows continuous appearance mounting by overlapping factory edges. UV resistant.

Sold by full case only. Cannot ship UPS.

ITEM #	STYLE #	CELL SIZE	COLOR	MATERIAL	STANDARD PACKAGE
249700	10	1/2 in. x 1/2 in. x 1/2 in.	White	Acrylic	1
249705	14	1/2 in. x 1/2 in. x 3/8 in.	White	Acrylic	1
249710	20	1/2 in. x 1/2 in. x 1/2 in.	White	Styrene	1
249720	24	1/2 in. x 1/2 in. x 3/8 in.	White	Styrene	1



Eggcrate louvers have a perimeter which allows continuous appearance mounting by overlapping factory edges.



## Bracket – Z

Awning frames can easily be mounted with these brackets. Made from 3/16 inch hot rolled steel, they are supplied plated, or plain (for applications requiring painting). Two holes spaced equally for lagging into mortar are provided to secure bracket to wall. There is also a 3/16 inch hole to accommodate a Teks® screw for fastening the frame. Will accommodate a 3/8 inch lag screw.



ITEM #	STYLE #	FINISH	LENGTH	ROUND TUBE SIZE	SQUARE TUBE SIZE	STANDARD PACKAGE	TYPE	WIDTH
107609	#0	Plain	2-1/8 in.	1.050 in.	1 in.	25	Mini	
107601	#2	Plain	4-3/4 in.	1.050 in.	1 in.	25	Medium	
107615	#3	Plain	4-13/16 in.	1.315 in.	1-1/4 in.	25	Large	
107610	#0	Plated	2-1/8 in.	1.050 in.	1 in.	25	Mini	
107606	#1	Plated	4-1/2 in.	0.840 in.	3/4 in.	25	Small	
107602	#2	Plated	4-3/4 in.	1.050 in.	1 in.	25	Medium	
107616	#3	Plated	4-13/16 in.	1.315 in.	1-1/4 in.	25	Large	
239955		Zinc Plated			1 in.	25	Large	
239954		Zinc Plated	2-1/4 in.		1 in.	25	Small	
206805	CF86	Zinc Plated	2-1/16 in.	1.029 in.	1 in.	25		1-1/2 in.

Teks® is a registered trademark of Illinois Tool Works, Inc.

## Bracket – Joining



Frame joining brackets allow covered frame sections to be easily joined together without obvious and unsightly joints. Adjoining modular frame sections of different or identical heights, depths, and shapes will appear as one continuous awning when installed.

ITEM #	SIZE	STANDARD PACKAGE
107375	2 in.	25
239956	2 in.	25

## Bracket – L



Made from 3/16 inch hot rolled steel. Two holes spaced equally for lagging into mortar are provided to secure bracket to wall. There is also a 3/16 inch hole to accommodate a Teks® screw for fastening the frame. Will accommodate a 3/8 inch lag screw.

ITEM #	STYLE #	FINISH	LENGTH	SQUARE TUBE SIZE	STANDARD PACKAGE	TYPE
107630	#10	Plated	1-9/32 in.	1 in. or 3/4 in.	25	Large

Teks® is a registered trademark of Illinois Tool Works, Inc.

## Head Rod – Electro-Galvanized



In the bending process of making awning frames, this awning iron will not break when bent to right angles. The zinc plating will not chip or flake off during bending. Drawn to full sizes, the iron threads easily and exactly for perfect fitting with pipe-threaded frame fixtures. Also used for lacing and tie down bars, and in conjunction with head rod molding.

ITEM #	DIAMETER	LENGTH	# OF PIECES PER BUNDLE	STANDARD PACKAGE	WEIGHT PER BUNDLE	WEIGHT PER FOOT
244516	3/8 in.	20 ft.	17	17	128 lbs.	0.38 lbs.
244518	1/2 in.	20 ft.	12	12.03	160 lbs.	0.67 lbs.
244520	5/8 in.	20 ft.	5	5	105 lbs.	1.04 lbs.

## Head Rod – Fiberglass

ITEM #	COLOR	# OF PIECES PER BUNDLE	SIZE	STANDARD PACKAGE
244616	White	5	3/8 in. x 20 ft.	100 ft. bundle
244625	White	15	1/2 in. x 20 ft.	300 ft. bundle



555 180° open molding

## Molding – Aluminum Awning

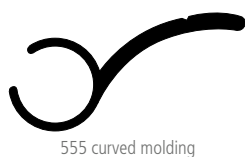
A fast and easy way to install covers. Mill finish, all-aluminum molding that remains in place all year. 6063-T6 aluminum. Cover slides into place easily. 1/4 inch rope is sewn into hem at top of cover. Then, the rope-filled hem slips into the channel of the molding. Allows for easy installation and removal. PE Tubing, Vinyl Welt, or 8.5 m Keder Welt can also be used.

Product is also commonly known as “trailer” molding.

No. 555 Moldings are lighter in weight than No. 777, and are flexible enough to form and bend to varying shapes. Recessed mounting face conforms readily to uneven surfaces.



555 90° open molding



555 curved molding



777 molding

ITEM #	STYLE #	DEGREE OF CHANNEL	FLANGE SIZE	LENGTH	OVERALL HEIGHT	ROPE SIZE	STANDARD PACKAGE	THICKNESS	WEIGHT PER CARTON	WEIGHT PER FOOT
251008	555	180°	0.600 in.	18 ft.	1-1/8 in.	1/4 in. in hem	216 ft.	3/64 in.	27 lbs.	0.123 lbs.
251007	555	180°	0.600 in.	8 ft.	1-1/8 in.	1/4 in. in hem	72 ft.	3/64 in.	9 lbs.	0.123 lbs.
251018	777	45°	~0.500 in.	18 ft.	1-1/4 in.	1/4 in. in hem	216 ft.	3/64 in.	35 lbs.	0.160 lbs.
251017	777	45°	~0.500 in.	8 ft.	1-1/4 in.	1/4 in. in hem	72 ft.	3/64 in.	12 lbs.	0.160 lbs.
251010	555	90°	0.600 in.	18 ft.	1-1/8 in.	1/4 in. in hem	216 ft.	3/64 in.	27 lbs.	0.124 lbs.
251009	555	90°	0.600 in.	8 ft.	1-1/8 in.	1/4 in. in hem	72 ft.	3/64 in.	9 lbs.	0.124 lbs.
251001	555	90°	0.64 in.	20 ft.	1-1/8 in.	1/4 in. in hem	400 ft.	3/64 in.	78 lbs.	0.112 lbs.
275812	555	90°	0.625 in.	20 ft.	1-1/8 in.	1/4 in. in hem	600 ft.	3/64 in.		
251011	555 Curved	90°		8 ft.	1-1/8 in.	1/4 in. in hem	72 ft.	3/64 in.	10 lbs.	0.140 lbs.
251012	555 Curved	90°		18 ft.	1-1/8 in.	1/4 in. in hem	216 ft.	3/64 in.	30 lbs.	0.140 lbs.

## Molding – Aluminum Awning – Bright Dipped

Birght dipped anodized aluminum.

ITEM #	STYLE #	DESCRIPTION	DEGREE OF CHANNEL	FINISH	LENGTH	STANDARD PACKAGE	WEIGHT PER FOOT
251050	A15	Molding	135 degrees	Bright Dipped Anodized	16 ft.	400 ft.	0.12 lbs.

## Welting – Vinyl

Use in place of rope headers on awnings that attach to motor homes, travel trailers, campers and other recreational vehicles. Can be used in conjunction with aluminum awning molding or with the extruded channel already provided by many of the RV manufacturers.

ITEM #	STYLE #	COLOR	PUT UP	SIZE
578003	A02-002	White	300 ft.	31/32 in. with 5/16 in. bead
578004	A02-002	Black	300 ft.	31/32 in. with 5/16 in. bead
578098	6022	Black	100 ft.	31/32 in. with 5/16 in. bead



265757

## Emseal UST Awning/Sign Sealant Tape

Why spend time caulking behind awning frames and suffer the frustration of messy jobs, dripped caulk and caulking in bad weather, when all you have to do is apply Awning Foam Sealant to the frame before it's hoisted on the wall?



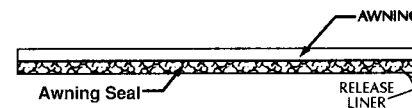
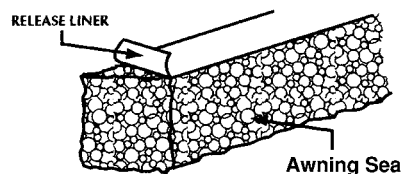
265756

Available in dimensions to fit most building surfaces, this self-expanding polyester polyurethane foam is filled with water-based stabilized acrylics and will not dry out, shrink or deteriorate when compressed and properly installed. Just peel off the release liner and apply the adhesive side to the back of the awning. This is a continuous seal that is easy to install at ground level, thus providing a safer and more efficient installation atmosphere.



265755

ITEM #	BUILDING SURFACE	SIZE	STANDARD PACKAGE
265757	Commercial Grade Corrugated Metal	5/16 in. x 3/4 in. x 13.12 ft.	1
265756	Split Block	11/32 in. x 3/4 in. x 13.12 ft.	1
265755	Stucco, Block, Brick	5/32 in. x 5/8 in. x 26.24 ft.	1



578054

## Xtreme Seal® Awning Seal

Awning installations are a breeze with Xtreme Seal Awning Seal. Designed for the awning industry as a gasket material between the frame and the mounting surface, Xtreme Seal Awning Seal conforms to the contour of the mounting surface, eliminating the need for silicone and providing a clean finished product. Made of EPDM material, Xtreme Seal Awning Seal also features an adhesive back, saving time and making mounting easy. Available in full rolls only.

ITEM #	STYLE #	COLOR	PUT UP
578054	POD-AW	Black	250 ft.

Xtreme Seal® is a registered trademark of Xtreme Seal LLC.

## Tubing "PE" – Low-Density Polyethylene

Polyethylene tubing for use in the head of awnings, and for marine and tonneau covers when using aluminum awning rail. Will not rot, absorb water, shrink, or unravel.

ITEM #	STYLE #	PUT UP	SIZE
515500	A02-005	1000 ft.	1/4 in. OD x 1/8 in. ID
578095	PEH8321000-6-SP	1000 ft.	1/4 in. OD x 1/8 in. ID

## Molding – Head Rod Molding No. 35/37



117139

For installations at the head of stationary or patio awnings and for installation and adjustment of the rafters of patio awnings. Extruded from 6063-T6 aluminum - mill finish.



124538

Nos. 35 and 37 Head Rod Moldings are designed for use with a 1/2 inch diameter conventional head rod to eliminate the awkward job of threading a rope-filled hem through a slot in the molding. The head rod is merely placed in position and finger clips are tightened to hold the head of the awning under the rainproof lip of the molding. The finger clips ride in a track in the molding and can be adjusted to move laterally right or left.



124540

The advantage of this system is that rafters can be placed precisely, even if the surface is uneven or the mounting supports are not located where the rafters should be, because once the molding is mounted, the rafters can be slid to their proper location.

Recommended rafter spacing is 1 1/2 feet in from each side, and then 3 feet to 4 feet centers depending on projection (the longer the rafters, the less the spacing). Awning rafters are attached to special jaw ends that are mounted in a track in the lower side of the molding. The jaw ends can be moved laterally to adjust the rafter width. This is done by turning or

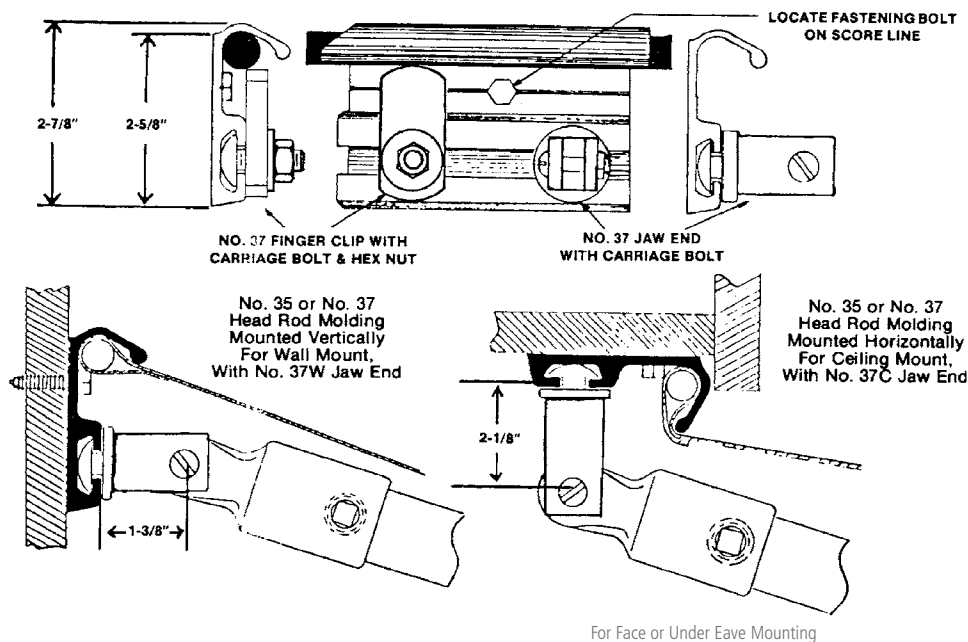
tightening the jaw end, which is fitted with a carriage bolt to ride in the same track as the finger clip.

The molding itself is designed so that a bead of caulking compound can be applied to the top length of the molding to prevent water from leaking behind the molding and down the wall.

The No. 35 Molding has the same basic design as the No. 37, but is 25% lighter in weight, with approximately 90% of the No. 37's strength. The No. 37 Finger Clip, No. 37W Jaw End and 1/2 inch Head Rod Clamp can be used with the No. 35 Molding without alteration.

ITEM #	STYLE #	DESCRIPTION	LENGTH	SIZE OUTSIDE DIAMETER	STANDARD PACKAGE	WEIGHT	WEIGHT PER FOOT
117139	37	Finger clip assembly. Stainless steel carriage bolt, machine screw, hex nut and washers.			25		
251100		Flat Bar	16 ft.	1 in. x 1/8 in.	320 ft.	41 lbs.	
251061	37WJB	Jaw End			25		
124538	37C	Jaw end with plated steel carriage bolt, machine screw, hex nut and washers.			25		
124540	37W	Jaw end with stainless steel carriage bolt, machine screw, hex nut and washers.			25		
251044	35	Molding	8 ft.		72 ft.	48 lbs.	
251049	35	Molding	20 ft.		160 ft.	107 lbs.	
251033	35JB	Molding	20 ft.		400 ft.		
251039	37	Molding	20 ft.		160 ft.	137 lbs.	
251037	37	Molding	12 ft.		144 ft.	123 lbs.	
251034	37	Molding	8 ft.		72 ft.	61 lbs.	
251032	37JB	Molding	20 ft.		320 ft.		0.640 lbs.

Trivantage® is a registered trademark of Glen Raven, Inc.







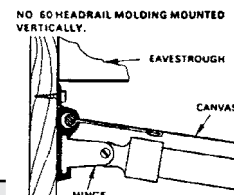
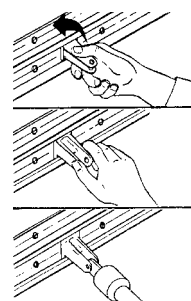
## Molding – Dietz Head Rod Molding

Dietz Headrail is a lightweight, continuous head and rafter holder extruded from 6063-T6 mill finish aluminum designed to provide easy, leakproof installations that combine strength, attractiveness, and economy. The need for a headerboard is eliminated.

The trailer molding-type opening eliminates the need for iron and provides an easy method for sliding the fabric through the molding. Conventional 1/4 inch rope or tubing is recommended for sewing in the head.

Cast aluminum alloy hinges are inserted with a simple quarter turn. It is not necessary to insert hinges from the end, which allows for easy installation of extra rafters.

Two grooves to facilitate drilling are strategically placed to offset thrust of frame and shrinkage of canvas, as well as allow ample clearance for 3/8 inch lag bolts or keystone anchors for brick installations.



ITEM #	STYLE #	LENGTH	STANDARD PACKAGE
237250	60	12 ft.	72 ft.
238015	51		25

238015 - Includes nut and 1/4 inch bolt.

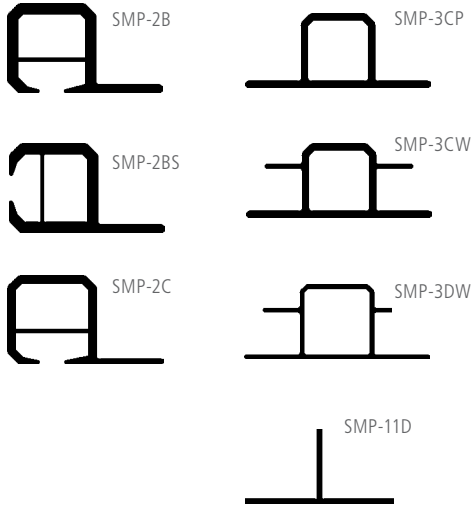


## Tubing – Aluminum Square And Rectangular

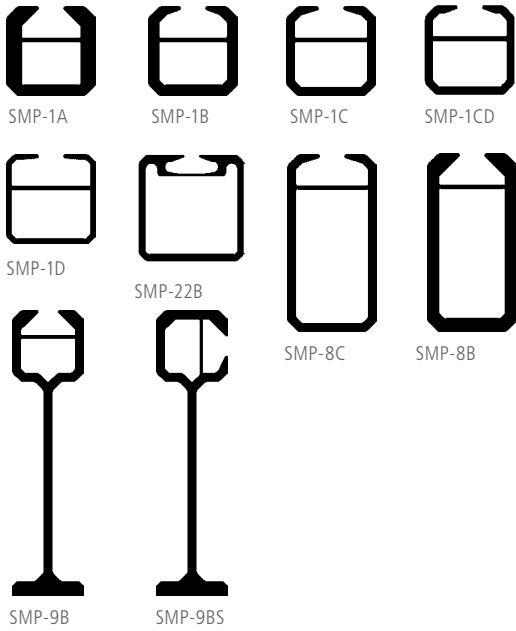
Square and rectangular 6063-T6 extruded mill finish aluminum tubing for awning framing and sign boxes. Both forms are lightweight, and corrosion resistant, offering the best combination of strength, bending and welding characteristics.

ITEM #	LENGTH	SIZE	STANDARD PACKAGE
275900	20 ft.	1 in. x 1 in. x 0.060	80 ft.
275902	24 ft.	1 in. x 1 in. x 0.060	96 ft.
275905	20 ft.	1 in. x 1 in. x 0.125	80 ft.
275907	24 ft.	1 in. x 1 in. x 0.125	96 ft.
275911	20 ft.	1 in. x 2 in. x 0.060	80 ft.
275910	20 ft.	1 in. x 2 in. x 0.125	80 ft.
275913	20 ft.	2 in. x 2 in. x 0.125	80 ft.

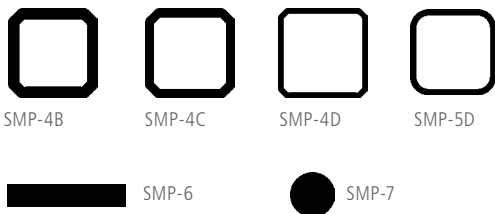
Ceiling Panel Support Members



Channeled Stapling Members



Support Members



Steel Stitch™ Systems Extrusions Aluminum

The Steel Stitch System offers flexibility in design and fabrication of interior and exterior awnings, canopies and back-lit signs. The aluminum alloy 6063-T5 mill finish frame system utilizes the "staple-in" method of attaching fabric, which is taken directly from the roll and stapled into a channel in the frame. A PVC finishing trim is then driven into the channel to cover the staples. With the use of divider strips to join sections and the exclusive, patented FlashStrip®, which forms a watertight seal against building surfaces, the result is an attractive, seamless and wrinkle-free awning, canopy or sign.

ITEM #	STYLE #	DESCRIPTION	FEET PER BUNDLE	LENGTH	SIZE	STANDARD PACKAGE
250084	SMP-6	Aluminum Bar	200 ft.	20 ft.	1 in. x 3/16 in.	200
250086	SMP-7	Aluminum Rod	200 ft.	20 ft.	1/2 in. OD	200
250055	SMP-1CD	Tube	250 ft.	25 ft.	1 in. x 1 in. x 0.090 in.	250
250076	SMP-4C	Tube	200 ft.	20 ft.	1 in. x 1 in. x 1/10 in.	200
250078	SMP-4C	Tube	250 ft.	25 ft.	1 in. x 1 in. x 1/10 in.	250
250054	SMP-1C	Tube	250 ft.	25 ft.	1 in. x 1 in. x 1/10 in.	250
250080	SMP-4D	Tube	200 ft.	20 ft.	1 in. x 1 in. x 1/16 in.	200
250074	SMP-4B	Tube	200 ft.	20 ft.	1 in. x 1 in. x 1/8 in.	200
250052	SMP-1B	Tube	250 ft.	25 ft.	1 in. x 1 in. x 1/8 in.	250
250050	SMP-1A	Tube	250 ft.	25 ft.	1 in. x 1 in. x 3/16 in.	250
250064	SMP-2C	Tube	250 ft.	25 ft.	1 in. x 1-3/4 in. x 1/10 in.	250
250060	SMP-2BS	Tube	200 ft.	20 ft.	1 in. x 1-3/4 in. x 1/8 in.	200
250058	SMP-2B	Tube	250 ft.	25 ft.	1 in. x 1-3/4 in. x 1/8 in.	250
250062	SMP-2BS	Tube	250 ft.	25 ft.	1 in. x 1-3/4 in. x 1/8 in.	250
250091	SMP-8C	Tube	250 ft.	25 ft.	1 in. x 2 in. x 1/10 in.	250
250090	SMP-8B	Tube	250 ft.	25 ft.	1 in. x 2 in. x 1/8 in.	250
250070	SMP-3CW	Tube	200 ft.	20 ft.	1 in. x 2-1/2 in. x 1/10 in.	200
250068	SMP-3CP	Tube	200 ft.	20 ft.	1 in. x 2-1/2 in. x 1/10 in.	200
250092	SMP-9B	Tube	250 ft.	25 ft.	1 in. x 4 in. x 1/8 in.	250
250094	SMP-9BS	Tube	250 ft.	25 ft.	1 in. x 4 in. x 1/8 in.	250
275908	SMP-502	Tube	80 (mill)	20 ft.	1-1/2 in. x 1-1/2 in. x 1/8 in.	80
250097	SMP-15B	Tube	150 ft.	25 ft.	1-1/2 in. x 1-1/2 in. x 1/8 in.	150
250099	SMP-22B	Tube	150 ft.	25 ft.	2 in. x 2 in. x 1/8 in.	150
250096	SMP-10B	Tube	250 ft.	25 ft.	4 in. OD x 1/8 in.	250
250082	SMP-5D	Tube	200 ft.	20 ft.	7/8 in. x 7/8 in. x 1/16 in.	200

Steel Stitch™ is a trademark of Steel Stitch Corporation. FlashStrip® is a registered trademark of Steel Stitch Corporation.

## GatorStitch™

GatorStitch is a superior strength frame tubing product that incorporates an aluminum stapling web embedded within a 1 inch galvanized steel tube. Like the Steel Stitch™ system, fabric is stapled into a channel of the GatorStitch frame, resulting in an attractive, seamless and wrinkle-free, drum-tight awning or sign.

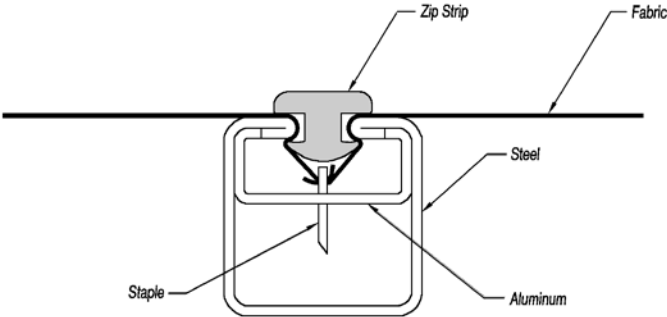
Use this Steel Stitch product like you would the aluminum framing system with the same tools, pvc trim, and covering techniques. Save money on your material cost due to the superior strength and lower cost of steel. GatorStitch is fabricator-friendly and works with any awning or flex-face sign fabric, including woven acrylics, laminated and coated vinyls, polyester blends, and open mesh weaves. Fabric wear is reduced because of the systems fabric-to-frame attachment points. GatorStitch is 1 inch square and made of 18 gauge high strength steel having a maximum yield strength of 50,000 psi and tensile strength of 55,000 psi. Weld to existing steel for retrofits or large structures. Meet project specifications that call for steel framing.

### Bending GatorStitch

GatorStitch can be bent with the stapling channel facing out using a standard 3-wheel roller bender. The minimum possible radius varies by machine and can be reduced by bending gradually in multiple passes.

### GatorStitch Corrosion Protection

A triple layer of zinc, conversion coating, and clear epoxy protects the inside and outside surfaces of the steel and act as a barrier between the steel and the aluminum insert.



ITEM #	APPROXIMATE WEIGHT PER PIECE	FEET PER BUNDLE	GAUGE	LBS PER FOOT	LENGTH	PIECES PER BUNDLE	SHAPE	SIZE OUTSIDE DIAMETER	STANDARD PACKAGE	WEIGHT PER BUNDLE
276150	13.8 lbs.	1200 ft.	18	0.6891 lbs.	20 ft.	60	Square	1 in.	1200	833 lbs.

Gatorstitch™ is a trademark of Allied Tube & Conduit Corporation. Steel Stitch™ is a trademark of Steel Stitch Corporation.



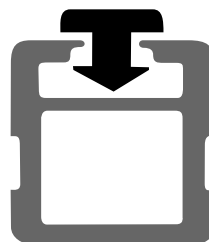
249917

## Steel Stitch™ ZipStrip®

Designed to cover the staples once the fabric has been stapled into position. Product is driven into the open channel using an air hammer.

ITEM #	COLOR	COLOR #	PUT UP	STANDARD PACKAGE
249916	Aquamarine	16	400 ft. rolls	400
250305	Beige	05	150 ft. rolls	150
249905	Beige	05	400 ft. rolls	400
250302	Black	02	150 ft. rolls	150
249902	Black	02	400 ft. rolls	400
250333	Bordeaux	33	150 ft. rolls	150
249934	Bordeaux	33	400 ft. rolls	400
249926	Bright Blue	26	400 ft. rolls	400
249930	Bright Orange	30	400 ft. rolls	400
250324	Bright Red	24	150 ft. rolls	150
249924	Bright Red	24	400 ft. rolls	400
250306	Brown	06	150 ft. rolls	150
249906	Brown	06	400 ft. rolls	400
250311	Burgundy	11	150 ft. rolls	150
249911	Burgundy	11	400 ft. rolls	400
250304	Cream	04	150 ft. rolls	150
249904	Cream	04	400 ft. rolls	400
250331	Crystal Clear	31	150 ft. rolls	150
249931	Crystal Clear	31	400 ft. rolls	400
250313	Dark Blue	13	150 ft. rolls	150
249913	Dark Blue	13	400 ft. rolls	400
250318	Dark Green	18	150 ft. rolls	150
249918	Dark Green	18	400 ft. rolls	400
250323	Deep Red	23	150 ft. rolls	150
249923	Deep Red	23	400 ft. rolls	400
250329	Golden Yellow	29	150 ft. rolls	150
249929	Golden Yellow	29V	400 ft. rolls	400
249917	Grass Green	17	400 ft. rolls	400
250303	Grey	03	150 ft. rolls	150

ITEM #	COLOR	COLOR #	PUT UP	STANDARD PACKAGE
249903	Grey	03	400 ft. rolls	400
250322	Linen	22	150 ft. rolls	150
249922	Linen	22	400 ft. rolls	400
249914	Medium Blue	14	400 ft. rolls	400
250310	Plum	10	150 ft. rolls	150
249920	Pumpkin	20	400 ft. rolls	400
250312	Rouge Red	12	150 ft. rolls	150
249912	Rouge Red	12	400 ft. rolls	400
250325	Royal Blue	25	150 ft. rolls	150
249925	Royal Blue	25	400 ft. rolls	400
249927	Teal	27	400 ft. rolls	400
250321	Terra Cotta	21	150 ft. rolls	150
249921	Terracotta	21	400 ft. rolls	400
249928	Turquoise	28	400 ft. rolls	400
250332	Violet	32	150 ft. rolls	150
249933	Violet	32	400 ft. rolls	400
250301	White	01	150 ft. rolls	150
249901	White	01	400 ft. rolls	400
250319	Yellow	19	150 ft. rolls	150
249919	Yellow	19	400 ft. rolls	400



Steel Stitch™ is a trademark of Steel Stitch Corporation. ZipStrip® is a registered trademark of Steel Stitch Corporation.



249879



249873

### Steel Stitch™ ZipStrip® – Sunbrella® Fabric

This fabric covered PVC staple channel trim creates a traditional finish on woven canvas awnings and canopies. Fabric covered ZipStrip is made with Sunbrella acrylic fabrics that completely conceal the PVC material. A durable lockstitch double seam holds the fabric securely in place for years of attractive performance. Custom colors and fabrics are available.

ITEM #	COLOR	COLOR #	PUT UP	STANDARD PACKAGE
249899	Alpine	6055	160 ft. rolls	160
249879	Beige	6020	160 ft. rolls	160
249877	Black Cherry	6040	160 ft. rolls	160
249878	Black	6008	160 ft. rolls	160
249891	Burgundy	6031	160 ft. rolls	160
249890	Cadet Grey	6030	160 ft. rolls	160
249896	Captain Navy	6046	160 ft. rolls	160
249894	Forest Green	6037	160 ft. rolls	160
249873	Jockey Red	6003	160 ft. rolls	160
249893	Linen	6033	160 ft. rolls	160
249876	Navy	6026	160 ft. rolls	160
249897	Oyster	6042	160 ft. rolls	160
249871	Pacific Blue	6001	160 ft. rolls	160
249875	Persian Green	6043	160 ft. rolls	160
249895	Seagrass Green	6045	160 ft. rolls	160
249881	Terracotta	6022	160 ft. rolls	160
249882	Toast	6028	160 ft. rolls	160
249880	True Brown	6021	160 ft. rolls	160

Steel Stitch™ is a trademark of Steel Stitch Corporation. ZipStrip® is a registered trademark of Steel Stitch Corporation. Sunbrella® is a registered trademark of Glen Raven, Inc.



249811

### Steel Stitch™ ZipStrip® – Sunbrella® Fabric with Tenara® Thread

This fabric covered PVC staple channel trim creates a traditional finish on woven canvas awnings and canopies. Fabric covered ZipStrip is made with Sunbrella acrylic fabrics that completely conceal the PVC material. A durable lockstitch double seam of Tenara thread holds the fabric securely in place for years of attractive performance. Custom colors and fabrics are available.

ITEM #	COLOR	COLOR #	PUT UP	STANDARD PACKAGE
249825	Beige	4620	160 ft. rolls	160
249813	Black	4608	160 ft. rolls	160
249824	Brown	4621	160 ft. rolls	160
249816	Burgundy	4631	160 ft. rolls	160
249821	Cadet Grey	4630	160 ft. rolls	160
249819	Captain Navy	4646	160 ft. rolls	160
249808	Charcoal Grey	4644	160 ft. rolls	160
249818	Forest Green	4637	160 ft. rolls	160
249829	Heather Beige	4672	160 ft. rolls	160
249811	Jockey Red	4603	160 ft. rolls	160
249817	Linen	4633	160 ft. rolls	160
249827	Medium Blue	4652	160 ft. rolls	160
249820	Navy	4626	160 ft. rolls	160
249810	Pacific Blue	4601	160 ft. rolls	160
249823	Seagrass Green	4645	160 ft. rolls	160
249809	Taupe	4648	160 ft. rolls	160
249814	Terracotta	4622	160 ft. rolls	160
249815	Toast	4628	160 ft. rolls	160

ZipStrip® is a registered trademark of Steel Stitch Corp. Sunbrella® is a registered trademark of Glen Raven, Inc. Tenara® is a registered trademark of W.L. Gore & Associates, Inc.



249836

### Steel Stitch™ ZipStrip® – Firesist® Fabric

This fabric covered PVC staple channel trim creates a traditional finish on woven canvas awnings and canopies. Fabric covered ZipStrip is made with Firesist fabrics that completely conceal the PVC material. A durable lockstitch double seam holds the fabric securely in place for years of attractive performance. Custom colors and fabrics are available.

ITEM #	COLOR	COLOR #	PUT UP	STANDARD PACKAGE
249837	Admiral Navy	82010	160 ft. rolls	160
249836	Black	82008	160 ft. rolls	160
249844	Burgundy	82016	160 ft. rolls	160
249845	Crimson	82017	160 ft. rolls	160
249832	Forest Green Tweed	82002	160 ft. rolls	160
249833	Forest Green	82003	160 ft. rolls	160
249831	Regatta	82000	160 ft. rolls	160
249835	Sand	82006	160 ft. rolls	160
249839	Sunburst Yellow	82013	160 ft. rolls	160
249838	Toast Beige	82012	160 ft. rolls	160

ZipStrip® is a registered trademark of Steel Stitch Corp. Firesist® is a registered trademark of Glen Raven, Inc.

### Steel Stitch™ ZipStrip® – Firesist® Fabric with Tenara® Thread

This fabric covered PVC staple channel trim creates a traditional finish on woven canvas awnings and canopies. Fabric covered ZipStrip is made with Firesist fabrics that completely conceal the PVC material. A durable lockstitch double seam of Tenara thread holds the fabric securely in place for years of attractive performance. Custom colors and fabrics are available.

ITEM #	COLOR	COLOR #	PUT UP	STANDARD PACKAGE
249857	Admiral Navy	82010	160 ft. rolls	160
249856	Black	82008	160 ft. rolls	160
249865	Crimson	82017	160 ft. rolls	160
249853	Forest Green	82003	160 ft. rolls	160
249851	Regatta	82000	160 ft. rolls	160
249859	Sunburst Yellow	82013	160 ft. rolls	160

ZipStrip® is a registered trademark of Steel Stitch Corp. Firesist® is a registered trademark of Glen Raven, Inc. Tenara® is a registered trademark of W.L. Gore & Associates, Inc.



### Steel Stitch™ FlashStrip®

Driven into the back bar to create a secure seal against virtually any building surface. Eliminate the need for labor-intensive caulking by applying a single bead of the sealant to the product prior to installation. Available in Crystal Clear only.



249950

ITEM #	COLOR	COLOR #	PUT UP	STANDARD PACKAGE
249950	Crystal Clear	31	125 ft. rolls	125

Steel Stitch™ is a trademark of Steel Stitch Corporation. FlashStrip® is a registered trademark of Steel Stitch Corporation.



### Steel Stitch™ DividerStrip®

Enables joining of awning and canopy modules on the job site.



249981

ITEM #	COLOR	COLOR #	PUT UP	STANDARD PACKAGE
249952	Black	02	200 ft. rolls	200
249981	Crystal Clear	31	200 ft. rolls	200
249968	Dark Green	18	200 ft. rolls	200
249964	Medium Blue	14	200 ft. rolls	200
249951	White	01	200 ft. rolls	200

Steel Stitch™ is a trademark of Steel Stitch Corporation. DividerStrip® is a registered trademark of Steel Stitch Corporation.



250216



250162



228033



250198



228022



250153

### Steel Stitch™ Accessories

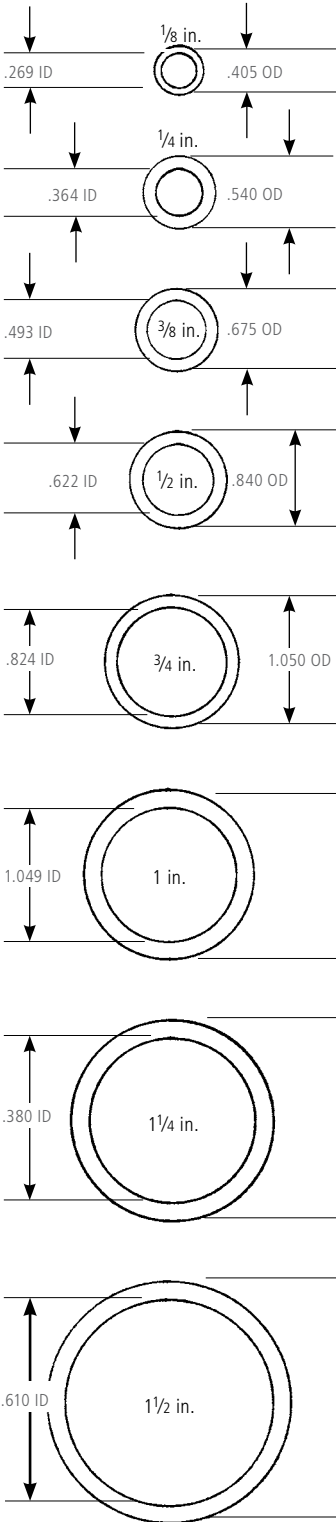
Steel Stitch branded chisel and divergent point staples work with BeA/Behrens (#250213, #250162), Fasco (#250198) and Apach (#250216) staplers.

ITEM #	STYLE #	DESCRIPTION	FOR USE WITH	PUT UP	SIZE	STANDARD PACKAGE	WEIGHT
250216	LU-9225AC	Apach Stapler with Case			8.8" x 2.3" x 7.8"	1	2.64 lbs.
250162	92/25-553	BeA/Behrens Stapler with Safety				1	
250213	92/25-553	BeA/Behrens Stapler				1	
228035	AS0K151	Danair Hammer O-Ring Kit				1	
228031	T15S	Danair Hammer Replacement Tip, Blue				1	
228033	158	Danair Hammer Replacement Valve				1	
228030	AH15S	Danair Pneumatic Hammer				1	
250198	F21T92-25AST	Fasco Stapler with Safety				1	
250222	805STA12CP	Staples - Steel Stitch Chisel Point Galvanized	BeA Stapler (#250213), BeA Stapler with Safety (#250162), Apach Stapler (#250216)	8400/box	1/2 in.	1 box	
250205	805STA38CP	Staples - Steel Stitch Chisel Point Galvanized	BeA Stapler (#250213), BeA Stapler with Safety (#250162), Apach Stapler (#250216)	5000/box	3/8 in.	1 box	
250158	810STA20	Staples - Steel Stitch Divergent Point Galvanized	BeA Stapler (#250213), BeA Stapler with Safety (#250162), Apach Stapler (#250216)	5000/box	1/2 in.	1 box	
250157	810STA10	Staples - Steel Stitch Divergent Point Galvanized	BeA Stapler (#250213), BeA Stapler with Safety (#250162), Apach Stapler (#250216)	5000/box	3/8 in.	1 box	
250202	810STA85	Staples - Steel Stitch Divergent Point Stainless Steel	BeA Stapler (#250213), BeA Stapler with Safety (#250162), Apach Stapler (#250216)	5000/box		1 box	
250153		Steel Stitch Grinding Disk				25	

Steel Stitch™ is a trademark of Steel Stitch Corporation.

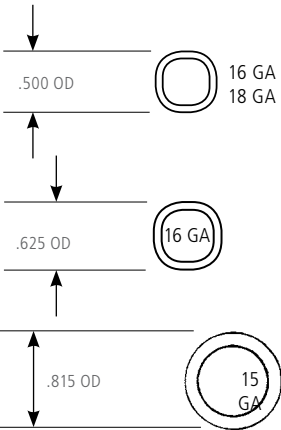
# GATORSHIELD® TUBING – GALVANIZED FINISH STEEL

**Pipe Schedule 40**

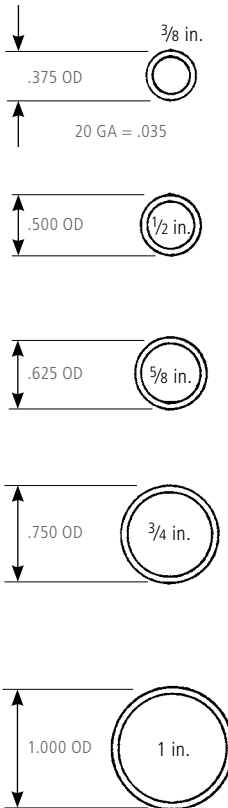


**Gatorshield Wall Size**

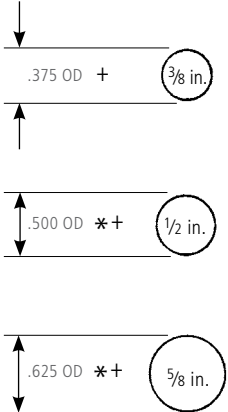
14 GA = .083      18 GA = .049  
 15 GA = .072      20 GA = .035  
 16 GA = .065



**Mechanical Tubing  
(Numerous wall sizes available)**



**Awning Iron**



ID = Inside Diameter  
 OD = Outside Diameter  
 \* = Available in Aluminum Headrod  
 + = Available in Fiberglass Headrod

Gatorshield® is a registered trademark of Allied Tube & Conduit Corporation.

## Gatorshield® – Galvanized Finish Steel Tubing

Gatorshield steel tubing offers triple layer corrosion protection on the exterior surface consisting of zinc, a conversion coating and a clear organic topcoat. The interior is fully covered with a corrosion-resistant zinc coating. Independent tests have proven our steel tubing offers dramatically higher corrosion resistance than other products being marketed for awning framework.

ITEM #	APPROXIMATE WEIGHT PER PIECE	FEET PER BUNDLE	GAUGE	LBS PER FOOT	LENGTH	PIECES PER BUNDLE	SHAPE	SIZE OUTSIDE DIAMETER	STANDARD PACKAGE	WEIGHT PER BUNDLE
276104	54.600 lbs.	240 ft.	14	2.73 lbs.	20 ft.	25	Rectangle	2 in. x 3 in.	12	1365 lbs.
276096	25.400 lbs.	640 ft.	16	1.27 lbs.	20 ft.	32	Rectangle	1 in. x 2 in.	32	813 lbs.
276099	23.230 lbs.	768 ft.	18	0.968 lbs.	24 ft.	32	Rectangle	1 in. x 2 in.	38.4	744 lbs.
276058	16.800 lbs.	1220 ft.	14	0.84 lbs.	20 ft.	61	Round	1.029	61	1025 lbs.
276057	27.328 lbs.	925 ft.	14	1.09 lbs.	25 ft.	37	Round	1.315	37	1011 lbs.
276062	21.800 lbs.	740 ft.	14	1.09 lbs.	20 ft.	37	Round	1.315	37	807 lbs.
276066	28.000 lbs.	740 ft.	14	1.4 lbs.	20 ft.	37	Round	1.660	37	1036 lbs.
276087	48.806 lbs.	888 ft.	14	2.0336 lbs.	24 ft.	37	Round	2-3/8 in.	37	1806 lbs.
276056	11.400 lbs.	1820 ft.	15	0.57 lbs.	20 ft.	91	Round	0.815	91	1037 lbs.
276052	4.800 lbs.	1820 ft.	18	0.24 lbs.	20 ft.	91	Round	0.500	91	437 lbs.
276065	9.960 lbs.	2540 ft.	18	0.498 lbs.	20 ft.	127	Round	1.000	127	1265 lbs.
276108	75.100 lbs.	240 ft.	13	3.76 lbs.	20 ft.	25	Square	3 in.	12	1878 lbs.
276112	100.980 lbs.	320 ft.	13	5.05 lbs.	20 ft.	16	Square	4 in.	8	1616 lbs.
276095	37.786 lbs.	500 ft.	15	1.89 lbs.	20 ft.	25	Square	2 in.	25	945 lbs.
276085	20.680 lbs.	1500 ft.	16	0.83 lbs.	25 ft.	60	Square	1 in.	60	769 lbs.
276084	16.600 lbs.	1200 ft.	16	0.83 lbs.	20 ft.	60	Square	1 in.	60	1241 lbs.
276090	25.400 lbs.	720 ft.	16	1.27 lbs.	20 ft.	36	Square	1-1/2 in.	36	914 lbs.
276080	13.200 lbs.	1600 ft.	16	0.66 lbs.	20 ft.	80	Square	13/16 in.	80	1673 lbs.
276094	34.400 lbs.	500 ft.	16	1.72 lbs.	20 ft.	25	Square	2 in.	25	860 lbs.
276086	12.600 lbs.	1200 ft.	18	0.63 lbs.	20 ft.	60	Square	1 in.	60	561 lbs.
276088	9.200 lbs.	1200 ft.	20	0.46 lbs.	20 ft.	60	Square	1 in.	60	914 lbs.

Gatorshield® is a registered trademark of Allied Tube & Conduit Corporation.

## Gatorshield® – Tubing Plug

ITEM #	DESCRIPTION	FOR	INSIDE DIAMETER	PUT UP	SIZE	STANDARD PACKAGE
255419	Square	13/16 in. 16 gauge tubing	11/16 in. x 11/16 in.		13/16 in. x 13/16 in. x 1/2 in.	25
255420	Square	1 in. 16 gauge tubing	7/8 in. x 7/8 in.		1 in. x 1 in. x 1/2 in.	25

Gatorshield® is a registered trademark of Allied Tube & Conduit Corporation.

## Gatorshield® – Touch Up Paint



ITEM #	PUT UP	STANDARD PACKAGE
254160	12-oz aerosol can	12

Gatorshield® is a registered trademark of Allied Tube & Conduit Corporation.

54160





### Grommet – Aluminum With Plain Washer



233111

ITEM #	STYLE #	HOLE SIZE AFTER SETTING	STANDARD PACKAGE
233111	0	1/4 in.	25 gross
233112	1	9/32 in.	25 gross
233113	2	3/8 in.	25 gross
233114	3	7/16 in.	25 gross
233115	4	1/2 in.	25 gross



### Grommet – Brass Eyelet And Washer



233209

ITEM #	STYLE #	DESCRIPTION	STANDARD PACKAGE
233209	2	Grommet with #2J Neck Washer	25 gross



### Grommet – Brass Rolled Rim With Spur Washer

These grommets and washers assure maximum strength and resistance to "pulling out." Spur Type setting dies are required for inserting spur grommets.



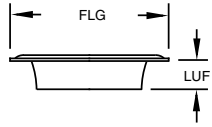
233311











ITEM #	STYLE #	HOLE SIZE AFTER SETTING	STANDARD PACKAGE
233310	0	9/32 in.	1 gross
233311	1	13/32 in.	1 gross
233312	2	7/16 in.	1 gross
233313	3	15/32 in.	1 gross
233314	4	9/16 in.	1 gross
233315	5	5/8 in.	1 gross
233316	6	3/4 in.	1 gross
233317	7	29/32 in.	1 gross
233318	8	1-3/32 in.	1 gross
233320	0	9/32 in.	25 gross
233321	1	13/32 in.	25 gross
233322	2	7/16 in.	25 gross
233323	3	15/32 in.	25 gross
233324	4	9/16 in.	25 gross
233325	5	5/8 in.	25 gross
233326	6	3/4 in.	25 gross
233327	7	29/32 in.	25 gross

### Grommet – Brass Rolled Rim With Spur Washer – Black

These grommets and washers assure maximum strength and resistance to "pulling out." Spur Type setting dies are required for inserting spur grommets.

ITEM #	STYLE #	HOLE SIZE AFTER SETTING	STANDARD PACKAGE
233460	0	9/32 in.	1 gross
233461	1	13/32 in.	1 gross
233462	2	7/16 in.	1 gross
233463	3	15/32 in.	1 gross
233464	4	9/16 in.	1 gross
233465	5	5/8 in.	1 gross
233466	6	3/4 in.	1 gross
233467	7	29/32 in.	1 gross
233468	8	1-3/32 in.	1 gross
233470	0	9/32 in.	25 gross
233471	1	13/32 in.	25 gross
233472	2	7/16 in.	25 gross
233473	3	15/32 in.	25 gross
233474	4	9/16 in.	25 gross



<p>No. 00 Hole Size <math>\frac{3}{16}</math> in.</p>  <p>FLG .425 LUF .135 MT .009</p>	<p>No. 0 Hole Size <math>\frac{1}{4}</math> in.</p>  <p>FLG .545 LUF .175 MT .012</p>	
<p>No. 1 Hole Size <math>\frac{9}{32}</math> in.</p>  <p>FLG .687 LUF .185 MT .012</p>	<p>No. 1J Hole Size <math>\frac{9}{32}</math> in.</p>  <p>FLG .680 LUF .263 MT .0126</p>	<p>No. 2 Hole Size <math>\frac{3}{8}</math> in.</p>  <p>FLG .815 LUF .215 MT .013</p>
<p>No. 2J Hole Size <math>\frac{3}{8}</math> in.</p>  <p>FLG .840 LUF .260 MT .016</p>	<p>No. 3 Hole Size <math>\frac{7}{16}</math> in.</p>  <p>FLG .970 LUF .295 MT .014</p>	<p>No. 4 Hole Size <math>\frac{1}{2}</math> in.</p>  <p>FLG 1.050 LUF .374 MT .016</p>
<p>No. 5 Hole Size <math>\frac{5}{8}</math> in.</p>  <p>FLG 1.220 LUF .330 MT .016</p>	<p>No. 6 Hole Size <math>\frac{13}{16}</math> in.</p>  <p>FLG 1.750 LUF .232 MT .020</p>	

Note: All dimensions are in inches. Photos approximate actual size. Hole size is approximate measurement after setting. Drum quantities vary with size.

## Grommet – Brass With Plain Washer

Made of heavy-gauge brass, assuring maximum strength and resistance against “pulling out.” Can be used interchangeably with plain or teeth washers. Meets Government Specifications, MIL-G-16491F, MS-20230, NASM-16491 and NASM-20230.

ITEM #	STYLE #	HOLE SIZE AFTER SETTING	STANDARD PACKAGE
233210	00	3/16 in.	1 gross
233211	0	1/4 in.	1 gross
233212	1	9/32 in.	1 gross
233213	1J	9/32 in.	1 gross
233214	2	3/8 in.	1 gross
233215	2J	3/8 in.	1 gross
233216	3	7/16 in.	1 gross
233217	4	1/2 in.	1 gross
233218	5	5/8 in.	1 gross
233219	6	13/16 in.	1 gross
233220	00	3/16 in.	25 gross
233221	0	1/4 in.	25 gross
233222	1	9/32 in.	25 gross
233223	1J	9/32 in.	25 gross
233224	2	3/8 in.	25 gross
233225	2J	3/8 in.	25 gross
233226	3	7/16 in.	25 gross
233227	4	1/2 in.	25 gross
233228	5	5/8 in.	25 gross
233229	6	13/16 in.	25 gross

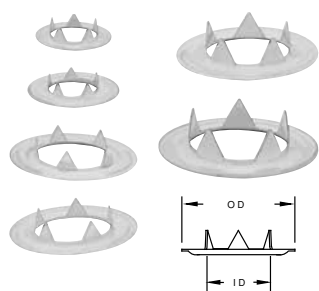


233374

## Grommet – Brass With Plain Washer – Black

Made of heavy-gauge brass, assuring maximum strength and resistance against “pulling out.” Can be used interchangeably with plain or teeth washers. Meets Government Specifications, MIL-G-16491F, MS-20230, NASM-16491 and NASM-20230.

ITEM #	STYLE #	HOLE SIZE AFTER SETTING	STANDARD PACKAGE
233360	00	3/16 in.	1 gross
233361	0	1/4 in.	1 gross
233362	1	9/32 in.	1 gross
233364	2	3/8 in.	1 gross
233366	3	7/16 in.	1 gross
233367	4	1/2 in.	1 gross
233370	00	3/16 in.	25 gross
233371	0	1/4 in.	25 gross
233372	1	9/32 in.	25 gross
233374	2	3/8 in.	25 gross
233376	3	7/16 in.	25 gross
233377	4	1/2 in.	25 gross
233378	5	5/8 in.	25 gross
233379	6	13/16 in.	25 gross



### Grommet – Brass With Tooth Washer

ITEM #	STYLE #	HOLE SIZE AFTER SETTING	STANDARD PACKAGE
233230	0	1/4 in.	1 gross
233231	1	9/32 in.	1 gross
233233	2	3/8 in.	1 gross
233235	3	7/16 in.	1 gross
233236	4	1/2 in.	1 gross
233237	5	5/8 in.	1 gross
233240	0	1/4 in.	25 gross
233241	1	9/32 in.	25 gross
233243	2	3/8 in.	25 gross
233245	3	7/16 in.	25 gross
233246	4	1/2 in.	25 gross
233247	5	5/8 in.	25 gross



### Grommet – Brass With Tooth Washer – Black

ITEM #	STYLE #	HOLE SIZE AFTER SETTING	STANDARD PACKAGE
233380	0	1/4 in.	1 gross
233390	0	1/4 in.	25 gross
233391	1	9/32 in.	25 gross
233393	2	3/8 in.	25 gross
233395	3	7/16 in.	25 gross



### Grommet – Nickel-Plated Brass With Plain Washer

ITEM #	STYLE #	HOLE SIZE AFTER SETTING	STANDARD PACKAGE
233520	00	3/16 in.	1 gross
233521	0	1/4 in.	1 gross
233522	1	9/32 in.	1 gross
233524	2	3/8 in.	1 gross
233526	3	7/16 in.	1 gross
233527	4	1/2 in.	1 gross
233528	5	5/8 in.	1 gross
233529	6	13/16 in.	1 gross
233530	00	3/16 in.	25 gross
233531	0	1/4 in.	25 gross
233532	1	9/32 in.	25 gross
233534	2	3/8 in.	25 gross
233536	3	7/16 in.	25 gross
233537	4	1/2 in.	25 gross
233538	5	5/8 in.	25 gross



### Grommet – Nickel-Plated With Tooth Washer



233547

ITEM #	STYLE #	HOLE SIZE AFTER SETTING	STANDARD PACKAGE
233540	0	1/4 in.	1 gross
233541	1	9/32 in.	1 gross
233542	2	3/8 in.	1 gross
233543	3	7/16 in.	1 gross
233546	4	1/2 in.	1 gross
233547	5	5/8 in.	1 gross
233552	1	9/32 in.	25 gross
233553	2	3/8 in.	25 gross



### Grommet – Nickel-Plated Rolled Rim Brass With Spur Washer



233627

ITEM #	STYLE #	HOLE SIZE AFTER SETTING	STANDARD PACKAGE
233620	0	9/32 in.	1 gross
233621	1	13/32 in.	1 gross
233622	2	7/16 in.	1 gross
233623	3	15/32 in.	1 gross
233624	4	9/16 in.	1 gross
233625	5	5/8 in.	1 gross
233626	6	3/4 in.	1 gross
233627	7	29/32 in.	1 gross
233628	8	1-3/32 in.	1 gross
233630	0	9/32 in.	25 gross
233631	1	13/32 in.	25 gross
233632	2	7/16 in.	25 gross
233633	3	15/32 in.	25 gross
233634	4	9/16 in.	25 gross

### Grommet – Self-Piercing With Plain Washer

Will pierce most fabrics without pre-punching a hole, while setting the grommet and washer in the same action.

ITEM #	STYLE #	FINISH	HOLE SIZE AFTER SETTING	MATERIAL	STANDARD PACKAGE
233020	0		1/4 in.	Brass	500
233021	1		5/16 in.	Brass	500
233022	2		3/8 in.	Brass	500
233019	2	Nickel Plated	3/8 in.	Brass	500
235414	2		3/8 in.	Stainless Steel	500
233023	3		7/16 in.	Brass	500
233017	3	Nickel Plated	7/16 in.	Brass	500
235413	GRMWSH2305S		5/16 in.	Stainless Steel	500

### Grommet – Self-Piercing Rolled Rim With Spur Washer

Will pierce most fabrics without pre-punching a hole, while setting the grommet and washer in the same action.

ITEM #	STYLE #	FINISH	HOLE SIZE AFTER SETTING	MATERIAL	STANDARD PACKAGE
233050	0		1/4 in.	Stainless Steel	100
233024	1	Nickel Plated	3/8 in.	Brass	500
233051	1		5/16 in.	Stainless Steel	100
233025	2	Nickel Plated	7/16 in.	Brass	250
233052	2		3/8 in.	Stainless Steel	100
233053	3		7/16 in.	Stainless Steel	100
233054	4		1/2 in.	Stainless Steel	100
233055	5		5/8 in.	Stainless Steel	100

### Grommet – Sharpened Edge With Small Tooth Locking Channel Washer

Will pierce most fabrics without pre-punching a hole, while setting the grommet and washer in the same action.

ITEM #	STYLE #	FINISH	HOLE SIZE AFTER SETTING	MATERIAL	STANDARD PACKAGE
233973	1	Lacquer	5/16 in.	Brass	500
233071	1	Nickel Plated	5/16 in.	Brass	500
233566	2	Nickel Plated	3/8 in.	Brass	500
233975	3	Lacquer	7/16 in.	Brass	100
233567	3	Nickel Plated	7/16 in.	Brass	100

### Grommet – Self-Piercing

Will pierce most fabrics without pre-punching a hole, while setting the grommet and washer in the same action.

ITEM #	STYLE #	HOLE SIZE AFTER SETTING	MATERIAL	STANDARD PACKAGE
233032	2	3/8 in.	Brass	500

### Grommet – Special Brass And Washers

ITEM #	STYLE #	DESCRIPTION	FINISH	STANDARD PACKAGE
233186	2	Grommet with #2 Neck Washer	Brass	25 gross
233519	0	Grommet with A-1197 Washer	Nickel Plated	25 gross
233589	2	Grommet with A-3630 Washer	Nickel Plated	25 gross
233183	1	Grommet with A1340 Neck Washer	Black	25 gross
233188	1	Grommet with A1340 Neck Washer	Brass	25 gross
233184	1	Grommet with A1340 Neck Washer	Nickel	25 gross
233185	2	Grommet with Spur Washer	Paraffin Coated Brass	25 gross

### Grommet – Scovill Grommets With Washers

ITEM #	STYLE #	DESCRIPTION	FINISH	HOLE SIZE AFTER SETTING	MATERIAL	STANDARD PACKAGE
233705	1	A1340 Neck Washer	Nickel Plated	9/32 in.	Brass	25 gross
233651	2	A3630 Washer			Brass	25 gross
233707	0	Plain Washer		1/4 in.	Brass	25 gross
233708	1	Plain Washer		9/32 in.	Brass	25 gross
233709	2	Plain Washer		3/8 in.	Brass	25 gross
233728	2	Plain Washer	Nickel Plated	3/8 in.	Brass	25 gross
233710	3	Plain Washer		7/16 in.	Brass	25 gross
233729	3	Plain Washer	Nickel Plated	7/16 in.	Brass	25 gross
233719	4	Plain Washer	Black	1/2 in.	Brass	25 gross
233711	4	Plain Washer		1/2 in.	Brass	25 gross
233712	2	Tooth Washer		3/8 in.	Brass	25 gross
233720	2	Tooth Washer	Black	3/8 in.	Brass	25 gross
233713	3	Tooth Washer		7/16 in.	Brass	25 gross
233714	4	Tooth Washer		1/2 in.	Brass	25 gross

Scovill® is a registered trademark of GSG Fasteners, LLC

### Grommet – Scovill Rolled Rim Grommets With Spur Washers

ITEM #	STYLE #	FINISH	HOLE SIZE AFTER SETTING	MATERIAL	STANDARD PACKAGE
233636	0		9/32 in.	Brass	25 gross
233637	1		13/32 in.	Brass	25 gross
233638	2		7/16 in.	Brass	25 gross
233639	3		15/32 in.	Brass	25 gross
233640	4		9/16 in.	Brass	25 gross
233722	0	Black	9/32 in.	Brass	25 gross
233723	1	Black	13/32 in.	Brass	25 gross
233724	2	Black	7/16 in.	Brass	25 gross
233725	3	Black	15/32 in.	Brass	25 gross
233726	4	Black	9/16 in.	Brass	25 gross

Scovill® is a registered trademark of GSG Fasteners, LLC



### E-Z Lace Supreme®

E-Z Lace Supreme eliminates the need to insert grommets. A 1 inch re-enforced side hole size makes lacing that much easier and quicker, while the 3 inch center spacing of the holes greatly increases manufacturing design flexibility. E-Z Lace Supreme also has a specialized and durable finish that resists mildew and ultraviolet rays, significantly increasing long-term strength and durability.

ITEM #	STYLE #	COLOR	PUT UP	WIDTH
502108	6608	Black	50 yd.	2-1/8 in.
502110	6631	Burgundy	50 yd.	2-1/8 in.
502109	6630	Cadet Grey	50 yd.	2-1/8 in.
502111	6637	Forest Green	50 yd.	2-1/8 in.
502112	6604	Natural	50 yd.	2-1/8 in.
502107	6601	Pacific Blue	50 yd.	2-1/8 in.

E-Z Lace Supreme® is a trademark of Offray Specialty Narrow Fabrics.



207665

### Buckles – “Push-Button”

ITEM #	STYLE #	FINISH	STANDARD PACKAGE	WEBBING SIZE
207671	6105	Black enamel	100	1 in.
207668	6105	Cadmium plated	100	1 in.
207724	6105	Nickel plated	100	1 in.
207722	6105	Nickel plated	100	1-1/2 in.
207667	6105	Nickel plated	100	3/4 in.
207723	6105	Stainless Steel	100	1 in.
207721	6105	Stainless steel	100	1-1/2 in.
207665	3105	Zinc plated	500	1 in.



207652

### Buckles – For Nylon Or Polyester Webbing

A 1 inch non-slip buckle developed to provide a positive hold on very smooth nylon or polyester webbing when webbing is threaded through the buckle.

ITEM #	STYLE #	FINISH	STANDARD PACKAGE	WEBBING SIZE
207652	1020	Nickel plated	100	1 in.
207680	4042	Nickel plated	100	1 in.



207680



207558

### Buckles – Single Bar

For 1 inch webbing. Sheet brass, black finish. Meets Mil-B-543 Type 1, Style 2, Class 1.

ITEM #	STYLE #	STANDARD PACKAGE	WEBBING SIZE
207558	146	100	1 in.



207650



207512

### Buckles – Tongueless

Dependable and sturdy buckles with a firm locking toothed slide. Made of the finest grade zinc-plated stamped steel. When ordering, specify style # and size.

ITEM #	STYLE #	FINISH	STANDARD PACKAGE	TYPE	WEBBING SIZE
207650	01055	Cadmium plated	100	Type 1, 2, 3	1 in.
207512	2690	Cadmium plated	50	Type 1, 2, 3	1-1/2 in.
207516	5270	Cadmium plated	50	Type 1, 2, 3	2 in.
207517	5270	Nickel plated	100	Type 1, 2, 3	2 in.
207508	635	Zinc plated	200	Type 1	1 in.



207516



207508



260441

### Clip And Dee – Nickel Plated

ITEM #	STYLE #	INSIDE DIMENSION WIDTH	SIZE	SIZE HOLE	STANDARD PACKAGE
260441	1954	3/4 in.	1-3/8 in.	0.201 in.	1000



213820

### Clip And Dee – Stainless

ITEM #	STYLE #	INSIDE DIMENSION WIDTH	LENGTH	SIZE HOLE	STANDARD PACKAGE
213820	1954	3/4 in.	1-3/8 in.	0.201 in.	1000



249216

### Footman Loop

Made of zinc-plated steel. Used to secure web straps on car top carriers, boat covers, camping trailers and other specialty products. Undrilled Footman Loops for welding can also be supplied.

ITEM #	STYLE #	DIAMETER HOLE	SIZE	STANDARD PACKAGE	WEBBING SIZE
249208	118-BX100-25	7/32 in.	2-5/8 in.	100	1 in.
249203	118-BX1000-25	7/32 in.	2-5/8 in.	1000	1 in.
249214	524	7/32 in.	3-1/8 in.	100	1-1/2 in.
249218	138	1/4 in.	2-3/4 in.	100	1-1/4 in.
249216	218	1/4 in.	3-5/8 in.	100	2 in.



295565

### Webbing Loop

Made of nickel-plated steel.

ITEM #	STYLE #	SIZE	STANDARD PACKAGE	TYPE
295560	4950	1 in. x 7/16 in.	100	Unwelded
295565	69900	2 in. x 7/16 in.	100	Unwelded



275703

### Triangle Ring

ITEM #	FINISH	MATERIAL	SIZE	STANDARD PACKAGE
275703	Nickel Plated	Steel	1-1/2 in. x 1-1/2 in. x 1-1/2 in.	100



260507

### Dee Ring – Non-Welded – Zinc Plated

Made of steel wire, with a zinc plating. Non-welded.

ITEM #	STYLE #	INSIDE DIMENSION HEIGHT	INSIDE DIMENSION WIDTH	STANDARD PACKAGE	WIRE DIAMETER
260507	563	5/8 in.	3/4 in.	500	0.135 in.
260508	563	7/8 in.	1 in.	200	0.135 in.
260512	563	1-3/16 in.	1-1/2 in.	200	0.148 in.



260527

### Dee Ring – Welded – Zinc Plated

Made of heavy steel wire, with a zinc plating. Welded.

ITEM #	STYLE #	INSIDE DIMENSION HEIGHT	INSIDE DIMENSION WIDTH	STANDARD PACKAGE	WIRE DIAMETER
260527	3250	3/4 in.	7/8 in.	100	0.207 in.
260528	3250	7/8 in.	1 in.	100	0.207 in.
260529	3250	1 in.	1-1/8 in.	100	0.207 in.
260530	3250	1-1/8 in.	1-1/4 in.	100	0.243 in.
260532	3250	1-5/16 in.	1-1/2 in.	50	0.253 in.
260534	3250	1-1/2 in.	1-3/4 in.	50	0.262 in.
260536	3250	1-5/8 in.	2 in.	50	0.262 in.



260500

### Ring – Dee Nickel Plated

ITEM #	STYLE #	DESCRIPTION	FINISH	INSIDE DIMENSION HEIGHT	INSIDE DIMENSION WIDTH	MATERIAL	STANDARD PACKAGE	WIRE DIAMETER
260500	3250	Welded	Nickel Plated	1-3/5 in.	2 in.	Steel	500	0.260 in.
260502	563	Non-Welded	Nickel Plated	7/8 in.	1 in.	Steel	200	0.135 in.
260503	563	Non-Welded	Nickel Plated	5/8 in.	3/4 in.	Steel	500	0.135 in.
260511	45204	Non-Welded	Nickel Plated	8/9 in.	1 in.	Zinc Die-Cast	1000	0.154 in.



260502



260511



267320

### Spring – Trampoline

ITEM #	LENGTH	STANDARD PACKAGE
267320	8 in.	100



295531

### Webbing – 3 Bar Slide

Made of stamped steel, nickel plated. Used for garments, parkas, outerwear, equestrian equipment, horse blankets.



295537

ITEM #	STYLE #	SIZE	STANDARD PACKAGE
295531	02300	1 in.	500
295532	02300	1-1/2 in.	500
295534	02300	2 in.	500
295537	03300	2 in.	200



274908

### Webbing – Tip For Types I And II Webbing

Flat type. Nickel plated steel.

ITEM #	STYLE #	SIZE	STANDARD PACKAGE
274908	1	1 in.	1000



275012

### Webbing – Tip For Types I, II And III Webbing

Ball type. Brass with black finish. Meets Government Specifications MIL-C-496.

ITEM #	STYLE #	SIZE	STANDARD PACKAGE
275008	149	1 in.	1000
275012	149	1-1/2 in.	25



207701

### ACW Side Release Buckles



207697

ITEM #	STYLE #	DESCRIPTION	COLOR	MATERIAL	STANDARD PACKAGE	WEBBING SIZE
207701	91514 BSR	Side Release Buckle	Black	Acetal	100	1 in.
207564	91760	Side Release Buckle	Black	Acetal	100	1-1/2 in.
207697	91526 BSR-DA	Side Release Double Adjust Buckle	Black	Acetal	100	1 in.





585060

## Fastex® Side Release Buckle

Can be used on backpacks, camera bags, and many other fastening applications.

ITEM #	DESCRIPTION	COLOR	MATERIAL	STANDARD PACKAGE	WEBBING SIZE
585030		Black	Delrin®	100	1 in.
585032	Body Only	Black	Delrin®	1	1 in.
585070		Black	Nexcel	100	1-1/2 in.
585060		Black	Delrin®	100	1-1/2 in.
585075		Black	Delrin®	100	2 in.
585015		Black	Delrin®	100	3/4 in.
585031		White	Delrin®	100	1 in.
585016		White	Delrin®	100	3/4 in.

Fastex® is a registered trademark of ITW. Delrin® is a registered trademark of E.I. DuPont de Nemours and Company, Inc.



585215

## Fastex® Ladderloc™

Can be used on backpacks, camera bags, and many other fastening applications.

ITEM #	STYLE #	COLOR	MATERIAL	STANDARD PACKAGE	WEBBING SIZE
585215	154-0075	Black	Delrin®	100	3/4 in.
585270	104-2200	Black	Delrin®	100	2 in.
585283	154-3100-5614	Black	Delrin®	1000	1 in.

Fastex® is a registered trademark of ITW. Ladderloc™ is a trademark of ITW. Delrin® is a registered trademark of E.I. DuPont de Nemours and Company, Inc.

## ACW Cam Buckles

ITEM #	STYLE #	COLOR	MATERIAL	STANDARD PACKAGE	WEBBING SIZE
207720	91390 CB	Black	Acetal	100	1 in.



586430

## Fastex® Cam Buckle

This versatile buckle works with a camming action directly against webbing. It provides easy adjustment and high security at the same time and is suitable for a wide range of webbing applications. One-handed quick release.

ITEM #	COLOR	COLOR #	MATERIAL	STANDARD PACKAGE	WEBBING SIZE
586430	Black	525	Delrin®	100	1 in.

Fastex® is a registered trademark of ITW. Delrin® is a registered trademark of E.I. DuPont de Nemours and Company, Inc.

## YKK® Wheel Locks

All plastic hardware.

ITEM #	STYLE #	DESCRIPTION	COLOR	STANDARD PACKAGE	WEBBING SIZE
585585	93838	Wheel Lock	Black	100	1 in.

YKK® is a registered trademark of YKK Corporation.



586110

### Fastex® Barreloc

Limitless applications include locking sleeping bag and parka hood draw strings. Can be used with either one or two cords.

ITEM #	COLOR	MATERIAL	ROPE SIZE	STANDARD PACKAGE
586110	Black	Delrin®	3/16 in.	100

Fastex® is a registered trademark of ITW. Delrin® is a registered trademark of E.I. DuPont de Nemours and Company, Inc.



587300

### Fastex® Sewable Grommet

Molded from a toughened nylon, the Sewable Grommet can be sewn directly to fabric or webbing. It will withstand heavy load and stress factors, yet always return to its original shape. It is unaffected by weather and will not snap or pull rope or cord running through it. Unaffected by ultraviolet degradation. Radio frequency bondable.

ITEM #	STYLE #	MATERIAL	STANDARD PACKAGE
587300	406-0000	Toughened Nylon	500

Fastex® is a registered trademark of ITW.



586578

### Fastex® Ellipse Cordloc

Provides an option for a lanyard tie down to assist in hand adjustments.

ITEM #	COLOR	MATERIAL	ROPE SIZE	STANDARD PACKAGE
586578	Black	Delrin®	1/4 in.	1000

Fastex® is a registered trademark of ITW. Delrin® is a registered trademark of E.I. DuPont de Nemours and Company, Inc.



586920

### Fastex® Shock Cord Hook

These shock cord fasteners will not mar or scratch anything they touch. The entire unit is molded, which eliminates the necessity of using a metal crimp ring. They are also rust and corrosion proof. Operates under all weather conditions. Not affected by salt water.

ITEM #	STYLE #	COLOR	CORD SIZE	MATERIAL	STANDARD PACKAGE
586920	605-0250-5614	Black	1/4 in.	Delrin®	100
586930	605-0375	Black	5/16 in.	Delrin®	100

Fastex® is a registered trademark of ITW. Delrin® is a registered trademark of E.I. DuPont de Nemours and Company, Inc.



585630

### Fastex® D-Ring

These D-rings are perfect whenever a sturdy attachment point is required. Unlike metal D-rings, they won't rust or corrode. One inch D-ring available in double-bar version, which prevents D-ring from slipping or rotating within its webbing retainer.

ITEM #	COLOR	MATERIAL	STANDARD PACKAGE	WEBBING SIZE
585630	Black	Delrin®	100	1 in.
585660	Black	Delrin®	100	1-1/2 in.
585675	Black	Delrin®	100	2 in.

Fastex® is a registered trademark of ITW. Delrin® is a registered trademark of E.I. DuPont de Nemours and Company, Inc.



585975

### Fastex® Triglide™ 3 Bar Slide

For sporting, recreational, luggage, medical, apparel and juvenile products. Extremely popular in the floatation and backpacking industries, these buckles can be used wherever webbing closures are needed. Useful in just about any application in which a variable length strap assembly is required.

ITEM #	STYLE #	COLOR	MATERIAL	STANDARD PACKAGE	WEBBING SIZE
585930	105-0100	Black	Delrin®	100	1 in.
585960	105-0150	Black	Delrin®	100	1-1/2 in.
585975	105-0200	Black	Delrin®	100	2 in.

Fastex® is a registered trademark of ITW. Triglide™ is a trademark of ITW. Delrin® is a registered trademark of E.I. DuPont de Nemours and Company, Inc.



585775

### Fastex® Looploc

Ideal for holding straps or webbing where no adjustment is needed.

ITEM #	STYLE #	COLOR	MATERIAL	STANDARD PACKAGE	WEBBING SIZE
585715		Black	Delrin®	100	1 in.
585760		Black	Delrin®	100	1-1/2 in.
585775	111-0200	Black	Delrin®	100	2 in.

Fastex® is a registered trademark of ITW. Delrin® is a registered trademark of E.I. DuPont de Nemours and Company, Inc.



207540

## YKK® Fasteners

All plastic hardware.



207545



586089

ITEM #	STYLE #	DESCRIPTION	COLOR	STANDARD PACKAGE	WEBBING SIZE
207540	LBS1	Easy Release Buckle	Black	100	1"
207543	LBRU1	Heavy Duty Quick Release Buckle	Black	1000	1"
207545	LBRU1.5	Heavy Duty Quick Release Buckle	Black	1000	1-1/2"
586089	LC05SHD		Black	1500	

YKK® is a registered trademark of YKK Corporation.



585310

## Saphook – Interlocking Saphook

Applications are similar to those of the side release buckle. However, the "tooth" design increases the overall strength.

ITEM #	STYLE #	COLOR	MATERIAL	STANDARD PACKAGE
585310	106-1000	Black	Delrin®	100

Delrin® is a registered trademark of E.I. DuPont de Nemours and Company, Inc.



585430

## Saphook – Retainer

Other styles and colors available on special order.

ITEM #	STYLE #	COLOR	MATERIAL	SIZE	STANDARD PACKAGE
585430	108-0100	Black	Delrin®	1 in.	100
585460	108-0150	Black	Delrin®	1-1/2 in.	100
585475	108-0200-5614	Black	Delrin®	2 in.	100

Delrin® is a registered trademark of E.I. Dupont de Nemours and Company, Inc.



585300

## Saphook – Standard Saphook

Used most often for detachable shoulder straps.

ITEM #	STYLE #	COLOR	MATERIAL	STANDARD PACKAGE
585300	106-0000	Black	Delrin®	100

Delrin® is a registered trademark of E.I. Dupont de Nemours and Company, Inc.



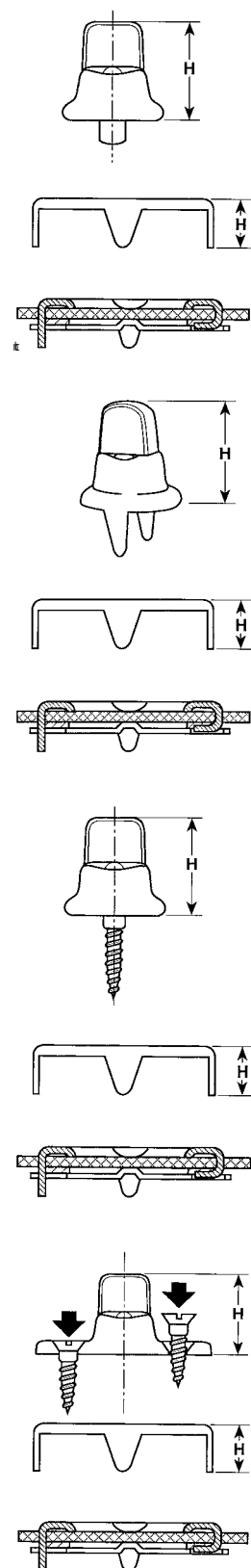
### DOT® Baby Durable™

An intermediate size snap fastener. Baby Durable provides firm snap action and strong holding power without being visually prominent on the end item.

ITEM #	STYLE #	DESCRIPTION	FINISH	SIZE	STANDARD PACKAGE
230991	94-X2-12108-2B	Cap	Black Oxide	3/16 in.	1000
230854	94-XB-12105-2B	Cap	Black Oxide		1000
230997	94-BS-12402-2C	Post	Black Oxide	3/16 in.	1000
230993	94-XB-12205-2C	Socket	Black Oxide		1000
230995	94-BS-12302-2C	Stud	Black Oxide		1000
230998	94-BS-12303-2C	Stud	Black Oxide		1000
230717	94-XB-12105-4A	Cap	Nickel Plated		100
230794	94-BS-12402-1A	Post	Nickel Plated	3/16 in.	100
230795	94-BS-12404-2A	Post	Nickel Plated	1/4 in.	1000
230792	94-XB-12205-4A	Socket	Nickel Plated		100
230959	94-BS-12303-2A	Stud	Nickel Plated		1000

## DOT® Common Sense® / Curtain Fasteners

Curtain fasteners are available in brass lacquer, nickel or black finish. All studs have rust-resistant brass springs. Sold in full package lots of 100 and 1000 pieces.



ITEM #	STYLE #	DESCRIPTION	FINISH	SIZE	STANDARD PACKAGE	TOOLS PART #
230509	91-PS-78511-49	Washer			100	
230378	91-BS-78502-2C	Back Plate	Black Oxide		1000	
230385	91-BS-78404-2G	Eyelet (Long)	Black Oxide		1000	
230580	91-BS-78403-1G	Eyelet	Black Oxide		100	C4-450 (#216045)
230380	91-BS-78403-2G	Eyelet	Black Oxide		1000	C4-450 (#216045)
230587	91-XB-78332-1G	Turn Button Double Prong	Black Oxide		100	171 (#275575)
230386	91-XB-78322-2G	Turn Button Two Screw Holes	Black Oxide		1000	
230377	91-XB-78317-2G	Turn Button	Black Oxide		1000	
230581	91-BS-78505-1C	Washer	Black Oxide		100	
230381	91-BS-78505-2C	Washer	Black Oxide		1000	
230207	91-BS-78507-2D	Back Plate	Gilt		1000	171 (#275575)
230403	91-BS-78403-1E	Eyelet	Gilt		100	C4-450 (#216045)
230203	91-BS-78403-2E	Eyelet	Gilt		1000	C4-450 (#216045)
230423	91-XB-78323-1E	Turn Button Double Height Two Screw Holes	Gilt		100	
230223	91-XB-78323-2E	Turn Button Double Height Two Screw Holes	Gilt		1000	
230234	91-XB-78333-2E	Turn Button Double Prong Double Height	Gilt		1000	171 (#275575)
230426	91-XB-783247-1E	Turn Button Screw Stud	Gilt	5/8 in.	100	89-9908 (#275584)
230226	91-XB-783247-2E	Turn Button Screw Stud	Gilt	5/8 in.	1000	89-9908 (#275584)
230422	91-XB-78322-1E	Turn Button Two Screw Holes	Gilt		100	
230405	91-BS-78505-1D	Washer	Gilt		100	
230205	91-BS-78505-2D	Washer	Gilt		1000	
230504	91-BS-78502-1A	Back Plate	Nickel Plated		100	
230307	91-BS-78507-2A	Back Plate	Nickel Plated		1000	171 (#275575)
230507	91-BS-78507-4A	Back Plate	Nickel Plated		100	171 (#275575)
230534	91-BS-78404-4A	Eyelet (Long)	Nickel Plated		100	
230303	91-BS-78403-2A	Eyelet	Nickel Plated		1000	C4-450 (#216045)
230503	91-BS-78403-4A	Eyelet	Nickel Plated		100	C4-450 (#216045)
230527	91-XB-783257-1A	Turn Button Double Height Screw Stud	Nickel Plated	5/8 in.	100	89-9908 (#275584)
230327	91-XB-783257-2A	Turn Button Double Height Screw Stud	Nickel Plated	5/8 in.	1000	89-9908 (#275584)
230323	91-XB-78323-2A	Turn Button Double Height Two Screw Holes	Nickel Plated		1000	
230523	91-XB-78323-4A	Turn Button Double Height Two Screw Holes	Nickel Plated		100	
230533	91-XB-78333-1A	Turn Button Double Prong Double Height	Nickel Plated		100	171 (#275575)
230332	91-XB-78332-2A	Turn Button Double Prong	Nickel Plated		1000	171 (#275575)
230532	91-XB-78332-4A	Turn Button Double Prong	Nickel Plated		100	171 (#275575)
230520	91-X8-783247-1A	Turn Button Screw Stud	Nickel Plated	5/8 in.	100	89-9908 (#275584)
230228	91-X8-783247-2A	Turn Button Screw Stud	Nickel Plated	5/8 in.	1000	89-9908 (#275584)
230326	91-XB-783247-2A	Turn Button Screw Stud	Nickel Plated	5/8 in.	1000	89-9908 (#275584)
230526	91-XB-783247-4A	Turn Button Screw Stud	Nickel Plated	5/8 in.	100	89-9908 (#275584)
230220	91-XX-783157-2A	Turn Button Screw Stud	Nickel Plated	5/8 in.	1000	
230500	91-XX-783157-4A	Turn Button Screw Stud	Nickel Plated	5/8 in.	100	89-9908 (#275584)
230322	91-XB-78322-2A	Turn Button Two Screw Holes	Nickel Plated		1000	
230522	91-XB-78322-4A	Turn Button Two Screw Holes	Nickel Plated		100	
230549	91-XB-78317-4A	Turn Button	Nickel Plated		100	
230305	91-BS-78505-2A	Washer	Nickel Plated		1000	
230505	91-BS-78505-4A	Washer	Nickel Plated		100	
230311	91-BS-78510-2A	Washer	Nickel Plated		1000	
230508	91-BS-78510-4A	Washer	Nickel Plated		100	

DOT® and Common Sense® are registered trademarks of Scovill, Inc. Durable™ is a trademark of Scovill.



230932

## DOT® Durable™ Blind Rivet Stud

This component will provide the installer with a convenient method for securing a stud on hard surfaces such as steel, aluminum, tubing and panels.

Blind Rivet Studs are set in the same manner as typical pop rivets and eliminate the need for threading a stud into a pre-drilled hole or using a machine screw and nut combination. Used with the X2-10128 Button and XB-10224 Socket or similar combinations.

ITEM #	STYLE #	DESCRIPTION	FINISH	STANDARD PACKAGE
230772	93-X8-10314-1A	Blind Rivet Stud	Nickel Plated/Stainless Steel Mandrel	100
230932	93-X8-10314-2A	Blind Rivet Stud	Nickel Plated/Stainless Steel Mandrel	1000
230774	93-X8-10319-1A	Blind Rivet Stud	Nickel Plated/Stainless Steel Mandrel	100

DOT® is a registered trademark of Scovill, Inc. Durable™ is a trademark of Scovill, Inc.



229625

## DOT® Durable™ Enamel

These ultraviolet stabilized enamel painted buttons are in popular demand. The generous color selection is designed to match or compliment a wide variety of today's most popular marine fabrics. Available in packs of 100 and 1000.

ITEM #	STYLE #	COLOR	STANDARD PACKAGE
229684	93-X8-10128-9024-1V	Bahama Berry	100
229683	93-X8-10128-9023-1V	Banana Split	100
229601	93-X2-10128-1339-1V	Black	100
229901	93-X2-10128-1339-2V	Black	1000
229650	93-X8-10128-1339-1V	Black	100
229669	93-X8-10128-9009-1V	Blue Marlin	100
229675	93-X8-10128-9015-1V	Burnt Sugar	100
229617	93-X2-10128-2595-1V	Butternut Beige	100
229625	93-X2-10128-9000-1V	Cadet Grey	100
229660	93-X8-10128-9000-1V	Cadet Grey	100
229623	93-X2-10128-9002-1V	Captain Navy	100
229662	93-X8-10128-9002-1V	Captain Navy	100
229620	93-X2-10128-1473-1V	Dark Green	100
229651	93-X8-10128-1473-1V	Dark Green	100
229900	93-X2-10128-1534-2V	Dull Black	1000
229653	93-X8-10128-1534-1V	Dull Black	100
229600	93-X2-10128-1534-1V	Dull Black	100
229655	93-X8-10128-2234-1V	Foliage Green	100

ITEM #	STYLE #	COLOR	STANDARD PACKAGE
229632	93-X2-10128-9004-1V	Heather Beige	100
229664	93-X8-10128-9004-1V	Heather Beige	100
229604	93-X2-10128-1487-1V	Lindy	100
229690	93-X8-10128-9030-1V	Logo Red	100
229629	93-X2-10128-9030-1V	Logo Red	100
229611	93-X2-10128-1290-1V	Medium Turquoise	100
229615	93-X2-10128-2104-1V	Mulberry	100
229622	93-X2-10128-9012-1V	Ranch Blue	100
229672	93-X8-10128-9012-1V	Ranch Blue	100
229656	93-X8-10128-2424-1V	Regatta Red	100
229682	93-X8-10128-9022-1V	Sharp Blue	100
229671	93-X8-10128-9011-1V	Shingle Grey	100
229693	93-X8-10128-9033-1V	Smoke Ring	100
229666	93-X8-10128-9006-1V	Taupe	100
229665	93-X8-10128-9005-1V	Toast	100
229696	93-X8-10128-9036-1V	True Brown	100
229624	93-X2-10128-9031-1V	Walden White	100
229902	93-X2-10128-1959-2V	White	1000
229654	93-X8-10128-1959-1V	White	100
229602	93-X2-10128-1959-1V	White	100
229658	93-X8-10128-3209-1V	Winter Wheat	100
229630	93-X2-10128-3209-1V	Winter Wheat	100

DOT® is a registered trademark of Scovill, Inc. Durable™ is a trademark of Scovill, Inc.



230881

## DOT® Durable™ Mariner™

High ultraviolet resistant plastic cap with a super-strong, self-piercing eyelet. Size matches the standard all-brass construction DOT Durable button.

ITEM #	STYLE #	COLOR	STANDARD PACKAGE
230674	93-XV-10150-1Y	Beige	100
230681	93-XV-10150-1X	Black	100
230881	93-XV-10150-2X	Black	1000
230680	93-XV-10150-1V	White	100
230880	93-XV-10150-2V	White	1000

DOT® is a registered trademark of Scovill, Inc. Durable™ and Mariner™ are trademarks of Scovill, Inc. Durable™ is a trademark of Scovill, Inc.



H= multiple sizes available

### DOT® Durable™

Durable Fasteners are a medium-sized heavy-duty button type snap fastener. They are used largely by manufacturers of boat covers, porch curtains and industrial curtains. These fasteners are available in nickel or black finish on brass. Sold only in full package lots of 100, 1,000 or 10,000 pieces where indicated. Certain durable fasteners meet Government Specification MS-27980.

ITEM #	STYLE #	DESCRIPTION	FINISH	FOR USE WITH	HAND TOOLS PART #	MACHINE TOOLS PART #	SIZE	STANDARD PACKAGE
230784	93-X2-10127-1B	Cap	Black Oxide	93-XB-10224-1A (#230705), 93-XB-10224-2A (#230901), 93-XB-10224-1C (#230781), 93-XB-10224-2C (#230896), 93-XB-10224-3A (#230891)	9936 (#223503)	1401 (#223501)	1/4 in. (H)	100
230888	93-X2-10127-2B	Cap	Black Oxide	93-XB-10224-1A (#230705), 93-XB-10224-2A (#230901), 93-XB-10224-1C (#230781), 93-XB-10224-2C (#230896), 93-XB-10224-3A (#230891)	9936 (#223503)	1401 (#223501)	1/4 in. (H)	1000
230780	93-X2-10128-1B	Cap	Black Oxide	93-XB-10224-1A (#230705), 93-XB-10224-2A (#230901), 93-XB-10224-1C (#230781), 93-XB-10224-2C (#230896), 93-XB-10224-3A (#230891)	9936 (#223503)	1401 (#223501)	11/64 in. (H)	100
230898	93-X2-10128-2B	Cap	Black Oxide	93-XB-10224-1A (#230705), 93-XB-10224-2A (#230901), 93-XB-10224-1C (#230781), 93-XB-10224-2C (#230896), 93-XB-10224-3A (#230891)	9936 (#223503)	1401 (#223501)	11/64 in. (H)	1000
230783	93-BS-10412-1C	Post	Black Oxide	93-BS-10370-1A (#230727), 93-BS-10370-2A (#230905), 93-BS-10370-1C (#230782), 93-BS-10370-2C (#230897), 93-BS-10370-3A (#230892)	9936 (#223503)	1407 (#223507)	1/4 in.	100
230895	93-BS-10412-2C	Post	Black Oxide	93-BS-10370-1A (#230727), 93-BS-10370-2A (#230905), 93-BS-10370-1C (#230782), 93-BS-10370-2C (#230897), 93-BS-10370-3A (#230892)	9936 (#223503)	1407 (#223507)	1/4 in. (H)	1000
230781	93-XB-10224-1C	Socket	Black Oxide	93-X2-10127-1A (#230701), 93-X2-10127-2A (#230899), 93-X2-10127-1B (#230784), 93-X2-10127-2B (#230888), 93-X2-10128-1A (#230702), 93-X2-10128-2A (#230899), 93-X2-10128-1B (#230780), 93-X2-10128-2B (#230898), 93-X2-10128-3A (#230890)	164H (#248160)	1410 (#223510)		100
230896	93-XB-10224-2C	Socket	Black Oxide	93-X2-10127-1A (#230701), 93-X2-10127-2A (#230899), 93-X2-10127-1B (#230784), 93-X2-10127-2B (#230888), 93-X2-10128-1A (#230702), 93-X2-10128-2A (#230899), 93-X2-10128-1B (#230780), 93-X2-10128-2B (#230898), 93-X2-10128-3A (#230890)	164H (#248160)	1410 (#223510)		1000
230787	93-XX-10224-2C	Socket	Black Oxide	93-X2-10127-1A (#230701), 93-X2-10127-2A (#230899), 93-X2-10127-1B (#230784), 93-X2-10127-2B (#230888), 93-X2-10128-1A (#230702), 93-X2-10128-2A (#230899), 93-X2-10128-1B (#230780), 93-X2-10128-2B (#230898), 93-X2-10128-3A (#230890)	164H (#248160)	1410 (#223510)		1000
230782	93-BS-10370-1C	Stud	Black Oxide	93-BS-10413-1A (#230741), 93-BS-10413-2A (#230924)	164H (#248160)	1412 (#223512)		100
230897	93-BS-10370-2C	Stud	Black Oxide	93-BS-10413-1A (#230741), 93-BS-10413-2A (#230924)	164H (#248160)	1412 (#223512)		1000
230863	93-BS-10379-3C	Stud	Black Oxide					10000

ITEM #	STYLE #	DESCRIPTION	FINISH	FOR USE WITH	HAND TOOLS PART #	MACHINE TOOLS PART #	SIZE	STANDARD PACKAGE
230701	93-X2-10127-1A	Cap	Nickel Plated	93-XB-10224-1A (#230705), 93-XB-10224-2A (#230901), 93-XB-10224-1C (#230781), 93-XB-10224-2C (#230896), 93-XB-10224-3A (#230891)	9936 (#223503)	1401 (#223501)	1/4 in. (H)	100
230899	93-X2-10127-2A	Cap	Nickel Plated	93-XB-10224-1A (#230705), 93-XB-10224-2A (#230901), 93-XB-10224-1C (#230781), 93-XB-10224-2C (#230896), 93-XB-10224-3A (#230891)	9936 (#223503)	1401 (#223501)	1/4 in. (H)	1000
230702	93-X2-10128-1A	Cap	Nickel Plated	93-XB-10224-1A (#230705), 93-XB-10224-2A (#230901), 93-XB-10224-1C (#230781), 93-XB-10224-2C (#230896), 93-XB-10224-3A (#230891)	9936 (#223503)	1401 (#223501)	11/64 in. (H)	100
230900	93-X2-10128-2A	Cap	Nickel Plated	93-XB-10224-1A (#230705), 93-XB-10224-2A (#230901), 93-XB-10224-1C (#230781), 93-XB-10224-2C (#230896), 93-XB-10224-3A (#230891)	9936 (#223503)	1401 (#223501)	11/64 in. (H)	1000
230890	93-X2-10128-3A	Cap	Nickel Plated				11/64 in. (H)	10000
230728	93-XB-10342-1A	Gypsy Stud	Nickel Plated	93-XB-10224-1A (#230705), 93-XB-10224-2A (#230901), 93-XB-10224-1C (#230781), 93-XB-10224-2C (#230896), 93-XB-10224-3A (#230891)		9557 (#275580)		100
230935	93-XB-10342-2A	Gypsy Stud	Nickel Plated	93-XB-10224-1A (#230705), 93-XB-10224-2A (#230901), 93-XB-10224-1C (#230781), 93-XB-10224-2C (#230896), 93-XB-10224-3A (#230891)		9557 (#275580)		1000
230740	93-BS-10412-1A	Post	Nickel Plated	93-BS-10370-1A (#230727), 93-BS-10370-2A (#230905), 93-BS-10370-1C (#230782), 93-BS-10370-2C (#230897), 93-BS-10370-3A (#230892)	9936 (#223503)	1407 (#223507)	1/4 in. (H)	100
230912	93-BS-10412-2A	Post	Nickel Plated	93-BS-10370-1A (#230727), 93-BS-10370-2A (#230905), 93-BS-10370-1C (#230782), 93-BS-10370-2C (#230897), 93-BS-10370-3A (#230892)	9936 (#223503)	9936 (#223503)	1/4 in. (H)	1000
230893	93-BS-10412-3A	Post	Nickel Plated				1/4 in. (H)	10000
230741	93-BS-10413-1A	Post	Nickel Plated	93-BS-10370-1A (#230727), 93-BS-10370-2A (#230905), 93-BS-10370-1C (#230782), 93-BS-10370-2C (#230897), 93-BS-10370-3A (#230892)	9936 (#223503)	1407 (#223507)	5/16 in. (H)	100
230924	93-BS-10413-2A	Post	Nickel Plated	93-BS-10370-1A (#230727), 93-BS-10370-2A (#230905), 93-BS-10370-1C (#230782), 93-BS-10370-2C (#230897), 93-BS-10370-3A (#230892)	9936 (#223503)	1407 (#223507)	5/16 in. (H)	1000
230743	93-BS-10414-1A	Post	Nickel Plated	93-BS-10370-1A (#230727), 93-BS-10370-2A (#230905), 93-BS-10370-1C (#230782), 93-BS-10370-2C (#230897), 93-BS-10370-3A (#230892)	9936 (#223503)	1407 (#223507)	3/8 in. (H)	100
230926	93-BS-10414-2A	Post	Nickel Plated	93-BS-10370-1A (#230727), 93-BS-10370-2A (#230905), 93-BS-10370-1C (#230782), 93-BS-10370-2C (#230897), 93-BS-10370-3A (#230892)	9936 (#223503)	1407 (#223507)	3/8 in. (H)	1000
230737	93-XB-103934-4A	Screw Stud	Nickel Plated		169 N			100
230921	93-XB-103937-2A	Screw Stud	Nickel Plated		169 N		5/8 in.	1000
230756	93-XB-103937-4A	Screw Stud	Nickel Plated		169 N		5/8 in.	100
230749	93-XB-107084-1A	Screw Stud	Nickel Plated		169 N		3/8 in.	100
230753	93-XB-107087-1A	Screw Stud	Nickel Plated		169 N		5/8 in.	100
230705	93-XB-10224-1A	Socket	Nickel Plated	93-X2-10127-1A (#230701), 93-X2-10127-2A (#230899), 93-X2-10127-1B (#230784), 93-X2-10127-2B (#230888), 93-X2-10128-1A (#230702), 93-X2-10128-2A (#230899), 93-X2-10128-1B (#230780), 93-X2-10128-2B (#230898), 93-X2-10128-3A (#230890)	164H (#248160)	1410 (#223510)		100
230901	93-XB-10224-2A	Socket	Nickel Plated	93-X2-10127-1A (#230701), 93-X2-10127-2A (#230899), 93-X2-10127-1B (#230784), 93-X2-10127-2B (#230888), 93-X2-10128-1A (#230702), 93-X2-10128-2A (#230899), 93-X2-10128-1B (#230780), 93-X2-10128-2B (#230898), 93-X2-10128-3A (#230890)	164H (#248160)	1410 (#223510)		1000
230891	93-XB-10224-3A	Socket	Nickel Plated					10000
230930	93-XB-10231-2A	Socket	Nickel Plated	93-X2-10127-1A (#230701), 93-X2-10127-2A (#230899), 93-X2-10127-1B (#230784), 93-X2-10127-2B (#230888), 93-X2-10128-1A (#230702), 93-X2-10128-2A (#230899), 93-X2-10128-1B (#230780), 93-X2-10128-2B (#230898), 93-X2-10128-3A (#230890)	164H (#248160)	1410 (#223510)		1000



ITEM #	STYLE #	DESCRIPTION	FINISH	FOR USE WITH	HAND TOOLS PART #	MACHINE TOOLS PART #	SIZE	STANDARD PACKAGE
230706	93-XX-10224-1A	Socket	Nickel Plated	93-X2-10127-1A (#230701), 93-X2-10127-2A (#230899), 93-X2-10127-1B (#230784), 93-X2-10127-2B (#230888), 93-X2-10128-1A (#230702), 93-X2-10128-2A (#230899), 93-X2-10128-1B (#230780), 93-X2-10128-2B (#230898), 93-X2-10128-3A (#230890)	164H (#248160)	1410 (#223510)		100
230917	93-XX-10224-2A	Socket	Nickel Plated	93-X2-10127-1A (#230701), 93-X2-10127-2A (#230899), 93-X2-10127-1B (#230784), 93-X2-10127-2B (#230888), 93-X2-10128-1A (#230702), 93-X2-10128-2A (#230899), 93-X2-10128-1B (#230780), 93-X2-10128-2B (#230898), 93-X2-10128-3A (#230890)	164H (#248160)	1410 (#223510)		1000
230727	93-BS-10370-1A	Stud	Nickel Plated	93-BS-10412-1A (#230740), 93-BS-10412-2A (#230912), 93-BS-10412-1C (#230783), 93-BS-10412-2C (#230895), 93-BS-10412-3A (#230893)	164H (#248160)	1412 (#223512)		100
230905	93-BS-10370-2A	Stud	Nickel Plated	93-BS-10412-1A (#230740), 93-BS-10412-2A (#230912), 93-BS-10412-1C (#230783), 93-BS-10412-2C (#230895), 93-BS-10412-3A (#230893)	164H (#248160)	1412 (#223512)		1000
230892	93-BS-10370-3A	Stud	Nickel Plated					10000
230916	93-BS-10379-2A	Stud	Nickel Plated					1000
230744	93-BS-10379-4A	Stud	Nickel Plated					100
230918	93-XB-103934-2A	Stud	Nickel Plated		169 N			1000
231063	93-XX-10222-1A	Veltex Carpet Snap Socket	Nickel Plated					100
230934	93-X8-103015-2A	Screw Stud	Nickel Plated/Stainless Steel Screw		169 N		7/16 in.	1000
230764	93-X8-103015-4A	Screw Stud	Nickel Plated/Stainless Steel Screw		169 N		7/16 in.	100
230936	93-X8-103017-2A	Screw Stud	Nickel Plated/Stainless Steel Screw		169 N		5/8 in.	1000
230766	93-X8-103017-4A	Screw Stud	Nickel Plated/Stainless Steel Screw		169 N		5/8 in.	100
230938	93-X8-103025-2A	Screw Stud	Nickel Plated/Stainless Steel Screw		169 N		7/16 in.	1000
230768	93-X8-103025-4A	Screw Stud	Nickel Plated/Stainless Steel Screw		169 N		7/16 in.	100
230939	93-X8-103027-2A	Screw Stud	Nickel Plated/Stainless Steel Screw		169 N		5/8 in.	1000
230769	93-X8-103027-4A	Screw Stud	Nickel Plated/Stainless Steel Screw		169 N		5/8 in.	100
230911	93-X8-103934-2A	Screw Stud	Nickel Plated/Stainless Steel Screw		169 N		3/8 in.	1000
230739	93-X8-103934-4A	Screw Stud	Nickel Plated/Stainless Steel Screw		169 N		3/8 in.	100
230923	93-X8-103937-2A	Screw Stud	Nickel Plated/Stainless Steel Screw		169 N		5/8 in.	1000
230758	93-X8-103937-4A	Screw Stud	Nickel Plated/Stainless Steel Screw		169 N		5/8 in.	100
230760	93-X8-103938-1A	Screw Stud	Nickel Plated/Stainless Steel Screw	93-XB-10224-1A (#230705), 93-XB-10224-2A (#230901), 93-XB-10224-1C (#230781), 93-XB-10224-2C (#230896), 93-XX-10224-2C (#230787), 93-XX-10224-1A (#230706), 93-XX-10224-2A (#230917), 93-XB-10224-3A (#230891)	169N (#275504)		1 in.	100
230931	93-X8-103938-2A	Screw Stud	Nickel Plated/Stainless Steel Screw		169 N		1 in.	1000
231117	93-X8-107044-1A	Screw Stud	Nickel Plated/Stainless Steel Screw					100
230850	93-X8-109344-2A	Screw Stud	Nickel Plated/Stainless Steel Screw				3/8 in.	1000
230723	93-X8-109344-4A	Screw Stud	Nickel Plated/Stainless Steel Screw				3/8 in.	100
230851	93-X8-109347-2A	Screw Stud	Nickel Plated/Stainless Steel Screw				5/8 in.	1000
230765	93-X8-109347-4A	Screw Stud	Nickel Plated/Stainless Steel Screw				5/8 in.	100

ITEM #	STYLE #	DESCRIPTION	FINISH	FOR USE WITH	HAND TOOLS PART #	MACHINE TOOLS PART #	SIZE	STANDARD PACKAGE
230913	93-XX-103624-2A	Screw Stud	Nickel Plated/Steel Screw		169 N		3/8 in.	1000
230713	93-XX-103624-4A	Screw Stud	Nickel Plated/Steel Screw		169 N		3/8 in.	100
230922	93-XX-103627-2A	Screw Stud	Nickel Plated/Steel Screw		169 N		5/8 in.	1000
230715	93-XX-103627-4A	Screw Stud	Nickel Plated/Steel Screw		169 N		5/8 in.	100
230501	93-XN-10135-1U	Snap Cap / Open Top Button / Pilot Hole Cap	Stainless Steel					100

DOT® is a registered trademark of Scovill, Inc. Durable™ is a trademark of Scovill, Inc.

## DOT® Durable™ Stainless



231008

ITEM #	STYLE #	DESCRIPTION	MATERIAL	SIZE	STANDARD PACKAGE	
231008	93-XN-10616-2U	Buckle	Stainless Steel		1000	
230655	93-X8-10127-1A	Cap	Nickel Plated Brass / Stainless Steel Post		100	
230967	93-X8-10127-2A	Cap	Nickel Plated Brass / Stainless Steel Post		1000	
230655	230669	93-X8-10128-1A	Cap	Nickel Plated Brass / Stainless Steel Post	100	
230670	93-XN-10127-1U	Cap	Stainless Steel		100	
231000	93-XN-10127-2U	Cap	Stainless Steel		1000	
230974	93-XN-10128-2U	Cap	Stainless Steel		1000	
230667	230664	93-XN-10128-4U	Cap	Stainless Steel	100	
230676	93-ZN-10127-1U	Cap	Stainless Steel	1/4 in. (H)	100	
230677	93-ZN-10128-2U	Cap	Stainless Steel	1 1/64 in. (H)	1000	
230665	93-ZN-10128-1U	Cap	Stainless Steel		100	
230975	93-ZN-10128-2U	Cap	Stainless Steel		1000	
230692	93-ZS-10413-1U	Cap	Stainless Steel	5/16 in. (H)	100	
230667	93-NS-10412-1U	Post	Stainless Steel		100	
230977	93-NS-10412-2U	Post	Stainless Steel		1000	
230687	93-ZS-10412-1U	Post	Stainless Steel	1/4 in. (H)	100	
230690	93-ZS-10412-2U	Post	Stainless Steel	1/4 in. (H)	1000	
230693	93-ZS-10413-2U	Post	Stainless Steel	5/16 in. (H)	1000	
230666	230659	93-XN-103934-1U	Screw Stud	Stainless Steel	3/8 in.	100
230970	93-XN-103934-2U	Screw Stud	Stainless Steel	3/8 in.	1000	
230661	93-XN-103937-1U	Screw Stud	Stainless Steel	5/8 in.	100	
230971	93-XN-103937-2U	Screw Stud	Stainless Steel	5/8 in.	1000	
230969	93-XN-10224-2U	Socket	Stainless Steel		1000	
230657	93-XN-10224-4U	Socket	Stainless Steel		100	
230972	93-ZN-10224-1U	Socket	Stainless Steel		100	
230973	93-ZN-10224-2U	Socket	Stainless Steel		1000	
230666	93-NS-10370-1U	Stud	Stainless Steel		100	
230976	93-NS-10370-2U	Stud	Stainless Steel		1000	
230983	93-ZS-10370-1U	Stud	Stainless Steel		100	
230984	93-ZS-10370-2U	Stud	Stainless Steel		1000	

DOT® is a registered trademark of Scovill, Inc. Durable™ is a trademark of Scovill, Inc.

## Washer – Screw Stud

ITEM #	MATERIAL	STANDARD PACKAGE
296005	Nylon	1000



231085

## Fasnap® Rib Tree Bolster Fasteners

This 3/4 inch panel fastener with ribbed shank assures easy installation and secure hold. One ribbed end is pushed into primary panel to retain clip. Second panel is pushed down onto projecting ribbed end to complete the assembly.

ITEM #	DESCRIPTION	STANDARD PACKAGE
231085	3/4 in. double end clip with inner stop 1/2 in. x 7/8 in.	100

FASNAP® is a registered trademark of The FASNAP Corporation



231026



231027



231096



230671



230960



230696



230767



230691



230694

## Fasnap® Fasteners

High rust and corrosion resistant button, normal action socket, stud, and eyelet. The button and eyelet are, in many instances, able to self-pierce through multiple layers of fabric. All four components are interchangeable with nickel-plated brass screw studs or other snap fasteners and tools, eliminating special die requirements.

ITEM #	STYLE #	DESCRIPTION	FINISH	STANDARD PACKAGE	TYPE
231026	BN4647AR	Cap	Nickel Plated	1000	
231027	BN4647B	Socket	Nickel Plated	1000	
231096	BHST705916	Screw Stud	Nickel/Brass Stud, Stainless Steel Screw	100	1/2 in. #8 Hardened TEK® Screw
230671	BNCT705916	Screw Stud	Nickel/Brass Stud, Stainless Steel Screw	100	1/2 in. #8 TEK® Screw
230688	SSC4650AR	Button	Stainless Steel	100	
230960	SS4650AR	Cap	Stainless Steel	1000	
230968	SC4647D/SS4647D	Post	Stainless Steel	1000	
230696	SSC4647D	Post	Stainless Steel	100	
230767	BNSC705921	Oversized Screw Stud	Stainless Steel	100	5/8 in. #10 Screw
230691	SSC4650B	Socket	Stainless Steel	100	
230963	SSC4650B/SS4650B	Socket	Stainless Steel	1000	
230694	SSC4650C	Stud	Stainless Steel	100	
230966	SSC4650C/SS4650C	Stud	Stainless Steel	1000	

FASNAP® is a registered trademark of The FASNAP Corporation. TEK® is a registered trademark of ITW Buildex Corp.

## DOT® Lift-The-Dot®



230637

Featured below are styles available, complete with parts indicated. Sold only in full package lots of 100 pieces or 1000 pieces. Lift-The-Dot Fasteners are available in nickel or black finish. Certain Lift-The-Dot fasteners meet Government Specification MS-27977. Strong and heavy duty, Lift-The-Dot fasteners lock on three sides and are opened by lifting the fourth side where the Dot and the Lift-The-Dot trademark appear.



230601



230628



230608



230610



230620



230636



230638

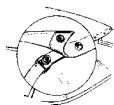


230630

ITEM #	STYLE #	DESCRIPTION	FINISH	FOR USE ON	FOR USE WITH	HAND TOOLS PART #	MACHINE TOOLS PART #	SIZE	STANDARD PACKAGE
230956	90-PS-16510-29	Washer		Canvas	90-XX-16205-1A (#230601), 90-XX-16205-2A (#230940), 90-XX-16205-1B (#230649), 90-XX-16205-2B (#230978), 90-BS-16506-1A (#230637), 90-BS-16506-2A (#230647), 90-BS-16506-2C (#230979)				1000
230656	90-PS-16510-49	Washer		Canvas	90-XX-16205-1A (#230601), 90-XX-16205-2A (#230940), 90-XX-16205-1B (#230649), 90-XX-16205-2B (#230978), 90-BS-16506-1A (#230637), 90-BS-16506-2A (#230647), 90-BS-16506-2C (#230979)				100
230979	90-BS-16506-2C	Back Plate	Black Oxide	Canvas	90-XX-16205-1A (#230601), 90-XX-16205-2A (#230940), 90-XX-16205-1B (#230649), 90-XX-16205-2B (#230978), 90-XX-16206-1A (#230602), 90-XX-16206-2A (#230647), 90-XX-16206-2B (#230654)		1455 (#223555)		1000
230649	90-XX-16205-1B	Socket	Black Oxide	Canvas	90-BS-16506-1A (#230637), 90-BS-16506-2A (#230951), 90-BS-16506-2C (#230979), 90-PS-16510-19 (#230656), 90-PS-16510-29 (#230956)		1454 (#223554)		100
230978	90-XX-16205-2B	Socket	Black Oxide	Canvas	90-BS-16506-1A (#230637), 90-BS-16506-2A (#230951), 90-BS-16506-2C (#230979), 90-PS-16510-19 (#230656), 90-PS-16510-29 (#230956)		1454 (#223554)		1000
230654	90-XX-16206-2B	Socket	Black Oxide				1454		1000
230651	90-XB-16358-2B	Stud	Black Oxide	Canvas	90-BS-16509-1A (#230638), 90-BS-16509-2A (#230952), 90-BS-16509-2C (#230652)		1456 (#223556)		1000
230652	90-BS-16509-2C	Washer	Black Oxide	Canvas	90-XB-16358-1A (#230610), 90-XB-16358-2A (#230944), 90-XB-16358-2B (#230651)		1457 (#223557)		1000
230637	90-BS-16506-1A	Back Plate	Nickel Plated	Canvas	90-XX-16205-1A (#230601), 90-XX-16205-2A (#230940), 90-XX-16205-1B (#230649), 90-XX-16205-2B (#230978), 90-XX-16206-1A (#230602), 90-XX-16206-2A (#230647), 90-XX-16206-2B (#230654)				100
230951	90-BS-16506-2A	Back Plate	Nickel Plated	Canvas	90-XX-16205-1A (#230601), 90-XX-16205-2A (#230940), 90-XX-16205-1B (#230649), 90-XX-16205-2B (#230978), 90-XX-16206-1A (#230602), 90-XX-16206-2A (#230647), 90-XX-16206-2B (#230654)	9940 (#275573)	1455 (#223555)		1000
230603	90-XB-163174-1A	Screw Stud	Nickel Plated	Wood			169B		3/8 in. 100
230601	90-XX-16205-1A	Socket Short Prong	Nickel Plated	Canvas	90-BS-16506-1A (#230637), 90-BS-16506-2A (#230951), 90-BS-16506-2C (#230979), 90-PS-16510-19 (#230656), 90-PS-16510-29 (#230956)		1454 (#223554)		100
230940	90-XX-16205-2A	Socket	Nickel Plated	Canvas	90-BS-16506-1A (#230637), 90-BS-16506-2A (#230951), 90-BS-16506-2C (#230979), 90-PS-16510-19 (#230656), 90-PS-16510-29 (#230956)		1454 (#223554)		1000
230602	90-XX-16206-1A	Socket Long Prong	Nickel Plated	Canvas	90-BS-16506-1A (#230637), 90-BS-16506-2A (#230951), 90-BS-16506-2C (#230979), 90-PS-16510-19 (#230656), 90-PS-16510-29 (#230956)		1454 (#223554)		100
230647	90-XX-16206-2A	Socket	Nickel Plated	Canvas	90-BS-16506-1A (#230637), 90-BS-16506-2A (#230951), 90-BS-16506-2C (#230979), 90-PS-16510-19 (#230656), 90-PS-16510-29 (#230956)		1454 (#223554)		1000

ITEM #	STYLE #	DESCRIPTION	FINISH	FOR USE ON	FOR USE WITH	HAND TOOLS PART #	MACHINE TOOLS PART #	SIZE	STANDARD PACKAGE
230628	90-XB-16347-1A	Stud with 2-Hole Plate	Nickel Plated	Wood					100
230608	90-BS-16349-1A	Stud	Nickel Plated	Canvas	90-BS-16501-1A (#230636)	171 (#275575)			100
230610	90-XB-16358-1A	Stud	Nickel Plated	Canvas	90-BS-16509-1A (#230638), 90-BS-16509-2A (#230952), 90-BS-16509-2C (#230652)	9940 (#275573)	1456 (#223556)		100
230944	90-XB-16358-2A	Stud	Nickel Plated	Canvas	90-BS-16509-1A (#230638), 90-BS-16509-2A (#230952), 90-BS-16509-2C (#230652)	9940 (#275573)	1456 (#223556)		1000
231120	90-XB-16368-1A	Stud	Nickel Plated	Canvas, Metal, Plastic	90-XX-16205-1A (#230601), 90-XX-16205-2A (#230940), 90-XX-16205-1B (#230649), 90-XX-16205-2B (#230978), 90-XX-16206-1A (#230602), 90-XX-16206-2A (#230647), 90-XX-16206-2B (#230654)	9940 (#275573)			100
230636	90-BS-16501-1A	Washer	Nickel Plated	Canvas	90-BS-16349-1A (#230608)		8042 (#275480)		100
230638	90-BS-16509-1A	Washer	Nickel Plated	Canvas	90-XB-16358-1A (#230610), 90-XB-16358-2A (#230944), 90-XB-16358-2B (#230651)		1457 (#223557)		100
230952	90-BS-16509-2A	Washer	Nickel Plated	Canvas	90-XB-16358-1A (#230610), 90-XB-16358-2A (#230944), 90-XB-16358-2B (#230651)		1457 (#223557)		1000
230618	90-XB-163624-1A	Screw Stud	Nickel Plated/Brass Screw	Metal		169B		3/8 in.	100
230630	90-X8-16376-1A	Windshield Clip 3/4 in.	Nickel Plated/Stainless Steel Clip						100
230633	90-X8-16377-1A	Windshield Clip 7/8 in.	Nickel Plated/Stainless Steel Clip						100
230624	90-X8-163604-4A	Screw Stud	Nickel Plated/Stainless Steel Screw	Wood		169B		3/8 in.	100
230955	90-X8-163606-2A	Screw Stud	Nickel Plated/Stainless Steel Screw	Wood, Metal, Plastic		169B		1/2 in.	1000
230620	90-X8-163606-4A	Screw Stud	Nickel Plated/Stainless Steel Screw	Wood, Metal, Plastic		169B		1/2 in.	100
231125	90-X8-163607-1A	Screw Stud	Nickel Plated/Stainless Steel Screw	Metal, Plastic		169B (#275502)			100

DOT® and Lift-The-Dot® are registered trademarks of Scovill, Inc.



## Windshield Clip

Top Snap Fasteners snap over a boat windshield channel, eliminating need for drilling holes through the windshield. The clip portion of the Top Snap Fastener is made of stainless steel to resist corrosion. Socket portion is made of nickel-plated brass. DOT® Durable™ Button and Sockets are inserted through fabric top, then snapped onto the Top Snap Fastener.



230909



230745

ITEM #	STYLE #	DESCRIPTION	FINISH	SIZE	STANDARD PACKAGE
230738	93-XX-10388-1A	Windshield Clip	Nickel Plated/Stainless Steel Clip	3/4 in. x 9/16 in.	100
230909	93-XX-10388-2A	Windshield Clip	Nickel Plated/Stainless Steel Clip	3/4 in. x 9/16 in.	1000
230745	93-XX-10391-1A	Windshield Clip	Nickel Plated/Stainless Steel Clip	7/8 in. x 9/16 in.	100
230910	93-XX-10391-2A	Windshield Clip	Nickel Plated/Stainless Steel Clip	7/8 in. x 9/16 in.	1000

DOT® is a registered trademark of Scovill, Inc. Durable™ is a trademark of Scovill, Inc.



230800

## DOT® Pull-The-Dot®

The Pull-The-Dot Fastener is a side-locking snap fastener, similar to the Durable™ Glove-style fastener, except for its "built-in" locking feature. This fastener will withstand extreme pressure on three sides without unlocking, yet will release instantly on the fourth side if one "pulls the dot" embossed on one side of the button. Pull-The-Dots have no sharp edges or protrusions to tear or mar the fabric to be fastened.

Since the socket opens only on one side, care must be taken that the button and socket are set so that the fastener can be opened at the desired position.



230801



230823

ITEM #	STYLE #	DESCRIPTION	FINISH	STANDARD PACKAGE
230819	92-XE-18100-A2B	Cap	Black Oxide	1000
230842	92-XX-18201-2C	Socket	Black Oxide	1000
230799	92-BS-18303-2C	Stud	Black Oxide	1000
230820	92-XE-18100-A2A	Cap	Nickel	1000
230800	92-XE-18100-A4A	Cap	Nickel	100
230821	92-XX-18201-2A	Socket	Nickel	1000
230801	92-XX-18201-4A	Socket	Nickel	100
230822	92-BS-18303-2A	Stud	Nickel	1000
230802	92-BS-18303-4A	Stud	Nickel	100
230803	92-X8-183074-1A	Stud	Nickel/Stainless Steel Screw	100
230823	92-X8-183074-2A	Stud	Nickel/Stainless Steel Screw	1000

DOT® and Pull-The-Dot® are registered trademarks of Scovill, Inc. Durable™ is a trademark of Scovill, Inc.

## Q-Snap® Fasteners

The patented Q-Snap system is similar to the standard press-fastener, with the exception of two additional parts: a ring underneath the cloth and a hook on the deck. This combination turns the fastener into a secured connection that won't pop loose, while incorporating a stretch-function that acts as a lever. The result allows you to easily overcome the cloth tension as you fit the fastener.

Installation is like a normal press fastener, but with special tools that make it faster than other secured fasteners. There are no extra parts, thanks to smart pre-assembly.

Resistant to seawater, Q-Snap is made from high quality 316 stainless steel. The special ring spring in the socket is dimensionally stable and even more resistant to corrosion than 316 stainless steel. A thin rubber layer isolates the Q-stud to prevent tension corrosion. Above all, it is the only secured fastener without moving parts, making it very durable and robust.

Developed for covers and sprayhoods on boats, Q-Snap is an ideal solution for any application that requires textiles to be tight and secure.

Starter Kit includes: 50 Q-Caps, 50 Q-Sockets, 25 Q-Studs (including screw), 25 Q-Studs, 25 screws, 25 M4 bolts, 25 self-drilling screws, 25 eyelets, 5 blind rivets, Q-Stud holder, Q-Stud marker, 5 Q-Installation pins, 5 Q-Stud covers, hand punch set, 25 ringlets and 25 plugs.

DIY Pack includes: 10 polished Q-Caps, 10 Q-Sockets, Q-Studs with screws and hand punch tool.

ITEM #	STYLE #	DESCRIPTION	COLOR	MATERIAL	STANDARD PACKAGE
231161	150000-10	DIY Pack			1
231155	141300-100	Fixing Blind Rivet		Stainless Steel Type 304	100
231156	140500-100	Fixing Eyelet		Stainless Steel Type 316	100
231153	140200-100	Fixing M4 Bolt		Stainless Steel Type 316	100
231154	141400-100	Fixing Self-Drilling Screw		Stainless Steel Type 304	100
231152	140100-100	Fixing Tapping Screw		Stainless Steel Type 316	100
231148	110100-100	Q-Cap Long Shaft 6.2mm	Polished	Stainless Steel Type 316	100
231142	110002-100	Q-Cap Normal Shaft 4mm	Black Matte	Stainless Steel Type 316	100
231141	110001-100	Q-Cap Normal Shaft 4mm	Black	Stainless Steel Type 316	100
231147	110007-100	Q-Cap Normal Shaft 4mm	Bordeaux Red	Stainless Steel Type 316	100
231144	110004-100	Q-Cap Normal Shaft 4mm	Grey	Stainless Steel Type 316	100
231145	110005-100	Q-Cap Normal Shaft 4mm	Khaki	Stainless Steel Type 316	100
231146	110006-100	Q-Cap Normal Shaft 4mm	Navy Blue	Stainless Steel Type 316	100
231143	110003-100	Q-Cap Normal Shaft 4mm	Pearl White	Stainless Steel Type 316	100
231140	110000-100	Q-Cap Normal Shaft 4mm	Polished	Stainless Steel Type 316	100
231164	190400-10	Q-Installation Pin			10
231165	190400-25	Q-Installation Pin			25
231149	120000-100	Q-Socket Integrated Socket and Ring		Stainless Steel Type 316	100
231166	190100-10	Q-Stud Cover	Grey		10
231167	190101-10	Q-Stud Cover	Off-White		10
231162	190200-1	Q-Stud Holder			1
231163	190300-1	Q-Stud Marker			1
231151	130100-100	Q-Stud with Tapping Screw		Stainless Steel Type 316	100
231150	130000-100	Q-Stud		Stainless Steel Type 316	100
231160	150000-1	Starter Kit			1

Q-Snap® is a registered trademark of Partnership Twello B.V.



231016

## Snapfast® System

The Snapfast fastening system offers an alternative to traditional all-metal directional fasteners. This non-corrosive directional fastening system has no moving parts and unlocks from one direction only. The sockets and studs are manufactured from heavy-duty polyacetal with a UV stabilizer. Snapfast's stainless steel pronged cap self-pierces most industrial fabrics and installs easily using hand tools.



231014



231015

ITEM #	STYLE #	DESCRIPTION	COLOR	FINISH	STANDARD PACKAGE
231045	SNPFSTLA	Long Pronged Cap		Stainless Steel	100
231016	SNPFSTA	Pronged Cap		Stainless Steel	100
231014	SNPTSTB	Socket	Black		100
231046	SNPFSTBW	Socket	White		100
231015	SNPFSTC	Stud	Black		100
231047	SNPFSTCW	Stud	White		100

Snapfast® is a registered trademark of The FASNAP Corporation.



289264

## Stayput™ Fasteners

"Stayput" for a secure and corrosion free fastening solution. Stayput canvas fasteners have no springs to corrode or jam. They are manufactured from UV stabilized nylon and acetyl compounds. Originally designed for the marine market, are now used extensively in all areas of fabric fastening.



289281



289284



289270

ITEM #	STYLE #	DESCRIPTION	COLOR	STANDARD PACKAGE
289264	87B	Attach Knob	Black	100
289265	86W	Attach Knob	White	100
289276	40W	Canvas to Canvas Double	White	100
289266	37B	Horizontal Single	Black	100
289268	37W	Horizontal Single	White	100
289281	50B	Tent Wall Hook	Black	100
289280	50W	Tent Wall Hook	White	100
289262	48B	Tent Wall J-Hook	Black	100
289263	48W	Tent Wall J-Hook	White	100
289293	71B	Ultimate Clip Back	Black	100
289292	71W	Ultimate Clip Back	White	100
289284	70B	Ultimate Shock Cord Clip	Black	100
289283	70W	Ultimate Shock Cord Clip	White	100
289273	35W	Vertical Double	White	100
289270	34B	Vertical Single	Black	100
289272	34W	Vertical Single	White	100

Stayput™ is a trademark of Stayput Fasteners.





231065



231077

## YKK® SNAD® Pressure Sensitive Fasteners

The YKK® SNAD® fastener is a durable, innovative snap fastener that attaches to various substrates and surfaces using a sophisticated, and proven adhesive. This eliminates having to drill holes in surfaces to mount the fastener.

ITEM #	STYLE #	DESCRIPTION	COLOR	DIAMETER	SIZE	STANDARD PACKAGE
231071	PG1-0000-A01	Domed Socket	Black	1-9/16 in.	40 mm	100
231068	PG1-0000-839	Domed Socket	White	1-9/16 in.	40 mm	100
231108	QW9-0000-A01	Domed Stud	Black	1 in.	25 mm	100
231065	PG3-0000-A01	Domed Stud	Black	1-9/16 in.	40 mm	100
231069	PG3-0000-839	Domed Stud	White	1-9/16 in.	40 mm	100
231107	QW9-0000-839	Domed Stud	White	1 in.	25 mm	100
231078	TR5-0000-TVO	Flexible Base Socket	Clear	1 in.	25 mm	100
231077	QL7-0000-QK1	Flexible Base Stud	Black	1 in.	25 mm	100
231076	TP9-0000-TVO	Flexible Base Stud	Clear	1 in.	25 mm	100
231079	TT5-0000-TVO	Flexible Base Stud	Clear	1-9/16 in.	40 mm	100
231075	QL7-0000-PX7	Flexible Base Stud	Gray	1 in.	25 mm	100
231073	QL7-0000-QP3	Flexible Base Stud	White	1 in.	25 mm	100

YKK® and SNAD® are registered trademarks of YKK Corporation in Japan and other countries/regions.



231087

## T Nut Fastener

ITEM #	STYLE #	FINISH	MATERIAL	SIZE	STANDARD PACKAGE
230980	ST29-444		Stainless Steel	1/4-20	1000
231087	T29-444	Zinc Plated	Steel	1/4-20	1000



251997

## Suction Cup

A solution to your “no hardware” needs, this giant suction cup has 60 pounds of holding power. Secures to any smooth surface. Ideal for “rack storage” boat covers.

ITEM #	STYLE #	CORD SIZE	SIZE	STANDARD PACKAGE	STRETCH SIZE
251997	CT6	6 in.	3-1/2 in.	1	11 in.



287820

## Boat Top Fittings – Aluminum – Boat Cover Socket

Cast aluminum alloy. Ideal to keep boat covers from sagging. Use with Trivantage® Fiberglass Bow Slats to support boat cover. Two screw holes drilled for No. 8 screw.

ITEM #	STYLE #	SIZE	STANDARD PACKAGE
287820	440-22	5/8 in. height, 1-7/8 in. x 1/2 in opening, 3-1/2 in. x 7/8 in. base	10

Trivantage® is a registered trademark of Glen Raven, Inc.



282146

### Boat Top Fittings – Aluminum – Insert Eye End

When inserted, flange of Eye End is flush with outside of tubing. Must be secured by means of crimping tool or rivet. For use with Deck Mounting and Angle Hinges.



282149

ITEM #	STYLE #	FOR	STANDARD PACKAGE
282146	4434-12	3/4 in. OD tube, 5/8 in. ID tube	10
282149	4436-16	7/8 in. ID tube, 3/4 in. ID tube	10



282142



281104

### Boat Top Fittings – Aluminum – Slip Fit Eye End

With stainless steel set screw.



282143



282150

ITEM #	STYLE #	FOR	STANDARD PACKAGE
282142	422-3S	3/8 in. pipe	10
281105	424-4S	1/2 in. pipe, 7/8 in. OD tube	10
281104	424-4S	1/2 in. pipe, 7/8 in. OD tube	10
282143	433-7S	3/4 in. OD tube	10
282150	438-10S	1 in. OD tube	10

281104 - With square head set screw.



284047

### Boat Top Fittings – Aluminum – Deck Mounting Hinge



284049

ITEM #	STYLE #	PROJECTION	STANDARD PACKAGE
284047	477-2A	3/4 in.	10
284049	478-523	1-1/8 in.	10



284050

### Boat Top Fittings – Aluminum – Pontoon Deck Hinge

90° aluminum deck hinge designed for use on pontoon boats with 1 inch square aluminum tubing. Made from 6063-T6 extruded aluminum with satin anodization for uniform finish. Requires a 1/4 inch diameter pull pin.

ITEM #	STYLE #	STANDARD PACKAGE
284050	BH76	10



287688

### Boat Top Fittings – Aluminum – Jaw Slide

Equipped with stainless set screw, and round head machine screw.

ITEM #	STYLE #	FOR	STANDARD PACKAGE
287688	458-5042	1/2 in. pipe, 7/8 in. OD tube	10
287650	468-70J	1 in. OD tube	10



287647

### Boat Top Fittings – Aluminum – Pontoon Jaw Slide

Designed for use on pontoon boats with 1 inch square aluminum tubing. Made from 6063T6 extruded aluminum with satin anodization for uniform finish. A 1/4 – 20 x 5/16 inch stainless steel socket set screw, a 1/4 – 20 stainless steel hex head shoulder bolt and a nylok hex nut are included.

ITEM #	STYLE #	FOR	STANDARD PACKAGE
287647	BH74	1 in. square tube	10



287640

### Boat Top Fittings – Aluminum – Pontoon H Bracket

Designed for use on pontoon boats with 1-1/4 inch square aluminum tubing. Includes bolt and nut.

ITEM #	DESCRIPTION	FOR	STANDARD PACKAGE
287640	Standard Thin Wall	1-1/4 in. square tube	10
287642	Tall	1-1/4 in. square tube	10



239960

### Boat Top Fittings – Aluminum – Tower Clamp

These Tower Clamps with knobs are designed for use with eye ends to attach Bimini frame hardware to a tower on large cruisers and sport fishing vessels.

ITEM #	STYLE #	SIZE	STANDARD PACKAGE
239959	200960	1-1/2 in.	10
239960	200980	2-1/8 in.	10
239961	200999	2-3/8 in.	10

## Tubing – Marine – Aluminum

This bright dip anodized, drawn aluminum tubing is ideal. Less than full cartons are not recommended.

ITEM #	STYLE #	DESCRIPTION	LENGTH	OUTSIDE DIAMETER	STANDARD PACKAGE	WALL	WEIGHT PER CARTON	WEIGHT PER FOOT
275708		Round	20 ft.	3/4 in.	1080	0.058 in.	160 lbs.	0.0148 lbs.
275714		Round	24 ft.	7/8 in.	432	0.058 in.	70 lbs.	0.1750 lbs.
275712		Round	20 ft.	7/8 in.	360	0.058 in.	70 lbs.	0.1750 lbs.
275711		Round	20 ft.	7/8 in.	360	0.065 in.	84 lbs.	0.2100 lbs.
275719	6111-18	Round	24 ft.	7/8 in.	432	0.065 in.	92 lbs.	0.2100 lbs.
275713		Round	20 ft.	7/8 in.	360	0.095 in.	110 lbs.	0.2750 lbs.
275718	6154	Square	24 ft.	1 in.	24	0.062 in.	178 lbs.	0.2650 lbs.



205381

## Bimini Bow Frames

Bow Bimini top kit (minus fabric). Comes in ready-to-assemble kit form. Packaged one boat set per box with hardware. Made with 7/8 in. outside diameter by 0.058 wall 6063, T832 hard drawn marine aluminum tubing with a brite anodized finish and joined together with inside sleeves. The radius of the bends is 6 in. inside diameter.

ITEM #	STYLE #	DESCRIPTION	MATERIAL	STANDARD PACKAGE
205381	4850D	2 Bow Frame	Aluminum	1
205382	4851D	3 Bow Frame	Aluminum	1

## Bow Slats – Fiberglass

These Trivantage® fiberglass bow slats have a slightly rounded edge, which reduces splinters and prevents damage to fabricated products like boat covers.

ITEM #	COLOR	LENGTH	STANDARD PACKAGE
266361	Natural	6 ft.	10
266362	Natural	6-1/2 ft.	10
266363	Natural	7 ft.	10
266364	Natural	8 ft.	10
266365	Natural	10 ft.	10

Trivantage® is a registered trademark of Glen Raven, Inc.



286199

## Boat Top Fittings – Chrome-Plated Zinc Die-Cast – Coaming Side Plate

For use on side of boat when regular hinge cannot be mounted on deck. Furnished with 1/4 inch – 28 x 3/4 inch stainless steel hinge bolt.

ITEM #	STYLE #	STANDARD PACKAGE
286199	898-1839	10



282186

## Boat Top Fittings – Chrome-Plated Zinc Die-Cast – Insert Eye End

When inserted, flange of eye end is flush with outside of tubing. Must be secured by means of crimping tool or rivet. For use with Deck Mounting and Angle Hinges.

ITEM #	STYLE #	FOR	STANDARD PACKAGE
282185	1385	3/4 in. OD tube x 0.049 wall	10
282186	1836	7/8 in. OD tube x 0.049 wall	10



### Boat Top Fittings – Chrome-Plated Zinc Die-Cast – Slip Fit Eye End

With stainless steel set screw.

282177



282183

ITEM #	STYLE #	FOR	STANDARD PACKAGE
282177	824 HD	7/8 in. OD tube	10
282184	824-1843	7/8 in. OD tube	10
282183	833A-1842	3/4 in. OD tube	10



287890

### Boat Top Fittings – Chrome-Plated Zinc Die-Cast – Eye Strap

ITEM #	STYLE #	STANDARD PACKAGE
287890	8816	10



284088

### Boat Top Fittings – Chrome-Plated Zinc Die-Cast – Angle Hinge

10° angle, with stainless steel screw.

ITEM #	STYLE #	PROJECTION	STANDARD PACKAGE
284088	887-1841	1 in.	10



284054

### Boat Top Fittings – Chrome-Plated Zinc Die-Cast – Deck Hinge

ITEM #	STYLE #	DESCRIPTION	STANDARD PACKAGE
284054	N1846	Angle Deck Hinge – 5° with Quick Release	10



284084

### Boat Top Fittings – Chrome-Plated Zinc Die-Cast – Deck Mounting Hinge

Furnished with stainless steel machine screw.

ITEM #	STYLE #	PROJECTION	STANDARD PACKAGE
284084	878 HD	1-1/16 in.	10
284087	877	1-1/16 in.	10



287687

### Boat Top Fittings – Chrome-Plated Zinc Die-Cast – Jaw Slide

Equipped with stainless steel set screw and machine screw.



287691



287881

ITEM #	STYLE #	FOR	STANDARD PACKAGE
287686	865	3/4 in. OD tube, 3/8 in. vinyl covered tube	10
287687	856-1838	7/8 in. OD tube	10
287691	856 HD	7/8 in. OD tube	10
287881	86004	7/8 in. OD tube	10



287839

### Boat Top Fittings – Chrome-Plated Zinc Die-Cast – Boat Cover Socket

Ideal to keep boat covers from sagging. Use with Trivantage® Fiberglass Bow Slats to support boat cover. Two screw holes drilled for No. 8 screw.

ITEM #	STYLE #	SIZE	STANDARD PACKAGE
287840	740-CR180	3/8 in. height, 1-3/4 in. x 3/8 in. opening, 3-3/8 in. x 3/4 in. base	10
287839	840	1/2 in. height, 1-3/4 in. x 3/8 in. opening, 3-3/8 in. x 7/8 in. base	10

Trivantage® is a registered trademark of Glen Raven, Inc.



249205

### Leather Pearl Splits

A sturdy leather fabric that is ideal for marine applications that require extra reinforcement such as cut-outs, patches, etc.

ITEM #	WEIGHT
249205	~4 oz.



207608

### Boat Top Fittings – Nickel-Plated Brass – Adjuster Buckle

Single bar buckle to adjust strap.

ITEM #	STYLE #	STANDARD PACKAGE	WEBBING SIZE
207608	100	100	1 in.



287872

### Boat Top Fittings – Nickel-Plated Brass – Eye Strap

Style No. 2816 Eye Strap is for fastening No. 142-A Snap Hook to deck. Style No. 2916 Eye Strap is for fastening No. 249-0 Snap Hook to deck.

ITEM #	STYLE #	MATERIAL	STANDARD PACKAGE
287870	2816	Nickel Plated Brass	10
287872	2916	Nickel Plated Brass	10

### Boat Top Fittings – Nickel-Plated Brass – Solid Eye Snap Hook



266682



266684

ITEM #	STYLE #	DESCRIPTION	LENGTH	MATERIAL	STANDARD PACKAGE	WEBBING SIZE
266682	249B-0		2-1/8 in.		10	
266684	248B-0	Square Eye		Nickel Plated Brass	10	1 in.

266682 - For use with 2916 Eye Strap.



289639

### Boat Top Fittings – Nylon – Bimini Top Ladder Clip

ITEM #	STYLE #	COLOR	SIZE	STANDARD PACKAGE
289599	4330	Black	1 in.	10
289639	4330	Black	7/8 in.	10
289640	4330W	White	1 in.	10
289598	4330W	White	7/8 in.	10



289607

### Boat Top Fittings – Nylon – Rigid Support Clip

ITEM #	STYLE #	COLOR	SIZE	STANDARD PACKAGE
289607	21463	Black	7/8 in.	10



289608

### Boat Top Fittings – Nylon – Vadney Clip

ITEM #	STYLE #	COLOR	STANDARD PACKAGE
289608	1178120	Black	1



289201



289202



289203



289204

### Boat Top Fittings – Nylon – Eye End

ITEM #	STYLE #	COLOR	FOR	STANDARD PACKAGE
289201	7402	White		10
289202	7416	White	3/4 in. OD tube	10
289203	7417	White		10
289204	7419	White	7/8 in. OD tube	10
289251	7402	Black		10
289252	7416	Black	3/4 in. OD tube	10
289253	7417	Black		10
289254	7419	Black	7/8 in. OD tube	10
289255	7419	Natural	7/8 in. OD tube	10



289592

### Boat Top Fittings – Nylon – Eye Strap

ITEM #	STYLE #	COLOR	STANDARD PACKAGE
289591	7407	White	10
289592	7407	Black	10



289089

### Boat Top Fittings – Nylon – Gasket

Rubber gasket.

ITEM #	STYLE #	COLOR	STANDARD PACKAGE
289089	401-GB	Black	10



289097

### Boat Top Fittings – Nylon – Curved Shim

ITEM #	STYLE #	COLOR	STANDARD PACKAGE
289097	401-S-2.36B	Black	10
289098	401-S-2.36	Silver	10



289430

### Boat Top Fittings – Nylon – Hinge

ITEM #	STYLE #	DESCRIPTION	COLOR	SIZE	STANDARD PACKAGE
289342	7443B	Concave Hinge Rail	Black	7/8 in.	10
289430	7424P	Knurl Screw	Black	1/4 in. - 20 x 7/8 in.	10
289352	7405	Large Deck Hinge	Black		10
289302	7405	Large Deck Hinge	White		10
289351	7401	Small Deck Hinge	Black		10



289302



289453

### Boat Top Fittings – Nylon – Jaw Slide

ITEM #	STYLE #	COLOR	FOR	STANDARD PACKAGE
289451	7406	White	3/4 in. OD Tubing	10
289452	7418	White	7/8 in. OD Tubing	10
289453	7406	Black	3/4 in. OD Tubing	10
289454	7418B	Black	7/8 in. OD Tubing	10
289458	7515	Black	1 in. Square Tubing	10



289454



289458



289362

### Boat Top Fittings – Nylon – Lashing Hook

ITEM #	STYLE #	COLOR	STANDARD PACKAGE
289360	7420	White	10
289362	7420	Black	10
289394	7460B	Black	10



289460

### Boat Top Fittings – Nylon – Double Wing Windshield Latch

ITEM #	STYLE #	COLOR	STANDARD PACKAGE
289460	7222B	Black	10



289610

### Boat Top Fittings – Nylon – Bow Socket

ITEM #	STYLE #	COLOR	STANDARD PACKAGE
289610	7434	Black	10



289618

### Boat Top Fittings – Nylon – Side Curtain Spacer

Designed to keep clear vinyl side curtains away from convertible top frames. Eliminates scratching and discoloration of vinyl curtains. Snaps over a 7/8 inch or 1 inch outside diameter tube. No tools required for assembly.

ITEM #	STYLE #	COLOR	FOR	STANDARD PACKAGE
289618	7628	White	7/8 in. OD tube	10
289619	7629	White	1 in.OD tube	10
289620		White	7/8 in. OD tube	10
289628		Gray	7/8 in. OD tube	10



289402

### Boat Top Fittings – Nylon – Mounting Plate

ITEM #	STYLE #	DESCRIPTION	COLOR	STANDARD PACKAGE
289402	7415	Slide Mount Plate – 2-Hole	Black	10



289088

### Boat Top Fittings – Nylon – Wedge

Converts 90° deck hinges to angle hinges. Install between deck hinge and deck.



289091

ITEM #	STYLE #	DESCRIPTION	COLOR	STANDARD PACKAGE
289088	401-35B	Base Angle Oval Polywedge – 10°	Black	10
289092	401-35N	Base Angle Oval Polywedge – 10°	Natural	10
289091	7530B	Base Angle Rectangular Wedge – 9°	Black	10
289090	7530N	Base Angle Rectangular Wedge – 9°	Natural	10



266343

### Slide Track – Aluminum – Track

ITEM #	STYLE #	LENGTH	MATERIAL	STANDARD PACKAGE
266343	6410 TM-5	14 ft.	Anodized Aluminum	14



289551

### Slide Track – Nylon – Slides

ITEM #	STYLE #	DESCRIPTION	COLOR	STANDARD PACKAGE
289505	7408	Slide for Deck Hinge	Natural	1
289551	7408	Slide for Deck Hinge	Black	1
289553	7430	Side Mount Slide	Black	1

### Slide Track – Nylon – Hinge

ITEM #	STYLE #	DESCRIPTION	COLOR	SIZE	STANDARD PACKAGE
289354	7431	Deck Hinge/ Slide Combination	Black		10



289102

### Slide Track – Nylon – Slide Cap

ITEM #	STYLE #	DESCRIPTION	COLOR	STANDARD PACKAGE
289102	7404	Slide Cap Channel Trim End Cap	Black	10
289153	7429	Slide Cap Channel Trim End Insert	Black	10



289371

### Slide Track – Nylon – Slide Lock

ITEM #	STYLE #	DESCRIPTION	COLOR	STANDARD PACKAGE
289371	7432	Slide Lock	Black	10



154700

### Mooring Pole – Aluminum ‘Thumb Screw’

Designed especially for boat mooring covers, the 730 Mooring Pole adjusts to 70 in. overall and collapsed measures 40-5/8 inch. Has 2-1/2 inch long swaged tip designed for No. 3 Grommet or larger. Top section is 3/4 inch O.D. x .049 wall and bottom section is 7/8 inch O.D. x .042 wall, mill finish, drawn 6063T832 aluminum tubing. Comes with crutch tip bottom to prevent marring of boat floor.

ITEM #	STYLE #	MAXIMUM EXTENSION	STANDARD PACKAGE
154700	730	5 ft. 10 in.	10



205453

### Mooring Pole – Aluminum Extension

A medium range, multi-purpose support pole with interchangeable end components. Simply turn the pole extension around for a choice of either plastic injection molded end with snap stud or a molded swaged tip.

ITEM #	STYLE #	DESCRIPTION	EXTENSION BAR THREADED	STANDARD PACKAGE
205453	4848		48 in. to 96 in.	10
205454	3636	Black Crutch Tip	40 in. to 70 in.	25
205458	3636	White Crutch Tip	40 in. to 70 in.	10



205454

## Support Pole – Aluminum Extension

A medium range, multi-purpose support pole with interchangeable end components. Simply turn the pole extension around for a choice of either plastic injection molded end with snap stud or a molded swaged tip.

ITEM #	STYLE #	SIZE	STANDARD PACKAGE
205452	X47A-2	47 in.	10
205457	X59A-2TIP	59 in.	10
205459	X70A-2TIP	70 in.	10

## Nylon Pole Fittings



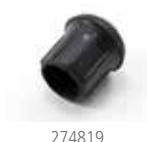
ITEM #	STYLE #	DESCRIPTION	COLOR	SIZE	STANDARD PACKAGE
289625	7623	Jointer Section	Black	3/4 in. - 7/8 in.	10
289185	7521B	Jointer Section	Black	7/8 in. - 1 in.	10
289191	PE25	Pole End Insert with Snap	Black	7/8 in.	10
289183	7621	Pole End with Stainless Steel Cap	Black	3/4 in.	10
289180	7610B	Pole Tip	Black	7/8 in.	10
289095	9518	Soft Outside End Cap	Black	7/8 in.	10
289181	7619	Vinyl Foot	Black	3/4 in.	10
289182	7620	Vinyl Foot	Black	7/8 in.	10



## Nylon Pole Pads

Non-slip base pole pad.

ITEM #	DESCRIPTION	SIZE	STANDARD PACKAGE
205460	Adjustable	7/8 in.	1
274823		7/8 in.	10



## Tip – Rubber

Eliminates damage or wear on fabric end curtains of patio awning where a Tie-Down Bar is used. Slips over ends of pipe used on roller curtains, to prevent end of pipe from chafing side of house. Can also be used on mooring poles to prevent marring boat floor.

ITEM #	STYLE #	DESCRIPTION	COLOR	FOR	STANDARD PACKAGE
476095	18	Tip with Stud	White	3/4 in. tubing	1
274817	17	Tip	Black	5/8 in. tubing, 3/8 in. pipe	10
274819	19	Tip	Black	7/8 in. tubing, 1/2 in. pipe	10
274815	18	Tip	White	3/4 in. tubing	10
274816	17	Tip	White	5/8 in. tubing, 3/8 in. pipe	10
274818	19	Tip	White	7/8 in. tubing, 1/2 in. pipe	10





207620

### Boat Top Fittings – Stainless Steel Type 304 – Adjuster Buckle

ITEM #	STYLE #	DESCRIPTION	STANDARD PACKAGE	WEBBING SIZE
207620	300	Adjuster Buckle Single Bar	10	1 in.



260450

### Boat Top Fittings – Stainless Steel Type 304 – Dee Ring

ITEM #	STYLE #	DESCRIPTION	SIZE	STANDARD PACKAGE
260450	127-20-70816	Welded	1 in.	10
260456		Welded	1-1/2 in.	10
284235	SS-563-1		1 in.	10



284074

### Boat Top Fittings – Stainless Steel Type 304 – Pull Pin

Item No. 284704 – Pull pin with 3/16 inch diameter pin, 1 inch grip and 1 inch ring handle.



284075

Item No. 284075 – Pull pin with 1/4 inch diameter pin, 3/4 inch grip, 1 inch ring handle, and 6 inch nylon-coated, stainless steel lanyard with 1-1/4 inch stainless steel tab.



284075

Item No. 284077 – Pull pin with 1/4 inch diameter flip type pin and 1-1/8 inch ring; pin includes stainless steel wire outer spring guard for flip.



284077

Item No. 284097 – Pull pin with 1/4 inch diameter flip type pin, 1-1/8 inch ring and 6 inch plastic coated, stainless steel lanyard with 1-1/4 inch stainless steel tab; pin includes stainless steel wire outer spring guard for flip.

ITEM #	STYLE #	DESCRIPTION	STANDARD PACKAGE
284074	C3-10R-303	Pull Pin	10
284075	74-7-303	Pull Pin with Lanyard/Tab	10
284077	1815-1	Pull Pin – Flip Type	10
284097		Pull Pin with Lanyard/Tab – Flip Type	10

284097



284060

### Boat Top Fittings – Stainless Steel Type 304 – Lift Ring

ITEM #	STYLE #	DESCRIPTION	STANDARD PACKAGE
284060	F16-1812	Flush Mount Lift Ring	10



263930

263914

No. 263917

263915

No. 263918

### Boat Top Fittings – Stainless Steel Type 304 – Hinge/Set Screw

ITEM #	STYLE #	DESCRIPTION	SIZE	STANDARD PACKAGE	THREADED FOR SIZE
263930		Cup Point Set Screw	3/16 in.	10	1/4 - 28
263914		Machine Screw for #356/357 Jaw Slides		10	1/4 - 20
263917		Machine Screw for #378/386 Hinge		10	1/4 - 20
263915		Machine Screw for #387 Angle Hinge		10	1/4 - 20
263918		Machine Screw for #398 Side Deck Plate		10	1/4 - 20



266683

### Boat Top Fittings – Stainless Steel Type 304 – Snap Hook

ITEM #	STYLE #	DESCRIPTION	LENGTH	MATERIAL	STANDARD PACKAGE	WEBBING SIZE
266683	990SS	Steel Wire Snap	2-1/8 in.	Stainless Steel	100	1 in.



282172



282132

### Boat Top Fittings – Stainless Steel Type 316 – Eye End

ITEM #	STYLE #	DESCRIPTION	FOR	STANDARD PACKAGE
282172	324	Eye End	7/8 in. OD tube	10
282132	324-88313	Eye End	7/8 in. OD tube	10
282173	338	Eye End	1 in. OD tube	10
282133	338-88314	Eye End	1 in. OD tube	10
284257	88328	Eye End with Double Set Screw	1-1/4 in. OD tube	10



282173



282133



284257



282210



282211

### Boat Top Fittings – Stainless Steel Type 316 – Ball Eye End

ITEM #	STYLE #	DESCRIPTION	FOR	STANDARD PACKAGE
282209	F11-0177A	Ball Eye End For Pop Rivet	7/8 in. OD tube	10
282210	F11-0177S	Ball Eye End For Set Screw	7/8 in. OD tube	10
282211	F11-0180S	Ball Eye End – 90°	7/8 in. OD tube	10
282214	F12-0181S	Ball Eye End	1 in. OD tube	10



282214

### Boat Top Fittings – Stainless Steel Type 316 – Counter Bore Eye End

ITEM #	STYLE #	DESCRIPTION	FOR	STANDARD PACKAGE
282171	324	Counter Bore Eye End without Set Screw	7/8 in. OD tube	10
282175	333	Counter Bore Eye End without Set Screw	3/4 in. OD tube	10



282171



282175

### Boat Top Fittings – Stainless Steel Type 316 – Humpback Eye End



282176



282187



282140

ITEM #	STYLE #	DESCRIPTION	FOR	STANDARD PACKAGE
282176	324	Humpback Eye End	7/8 in. OD tube	10
282179	338v	Humpback Eye End	1 in. OD tube	10
282187	8208	Humpback Eye End with 2 Double set Screws	1-1/4 in. OD tube	10
282139	88396	Humpback Eye End with Double Set Screw	7/8 in. OD tube	10
282140	88397	Humpback Eye End with Double Set Screw	1 in. OD tube	10

### Boat Top Fittings – Stainless Steel Type 316 – Insert Eye End



282178

ITEM #	STYLE #	DESCRIPTION	FOR	STANDARD PACKAGE
282178	324I	Eye End Insert	7/8 in. OD tube	10
282180	338I	Eye End Insert	1 in. OD tube	10

### Boat Top Fittings – Stainless Steel Type 316 – Eye Strap



287875



284276



284216



287874

ITEM #	STYLE #	DESCRIPTION	DIAMETER HOLE	DRILLED FOR	HEIGHT	LENGTH	STANDARD PACKAGE
287875	3816	Eye Strap	0.208/0.198 in. 82° countersink				10
284276	88545	Eye Strap		#10 screw	5/8 in.	1-7/8 in.	10
284216	88542	Formed Eye Strap		#8 screw	1/2 in.	1-7/8 in.	10
287874	3716	Heavy Duty Eye Strap	0.200 in.				10

### Boat Top Fittings – Stainless Steel Type 316 – Grab Handles



284262

For use with 7/8" stainless steel tubing. Comes packaged with 2 handles per package.

ITEM #	STYLE #	DESCRIPTION	FOR	STANDARD PACKAGE
284262	9114665	Bimini/Dodger Adjustable Grab Handles	7/8 in. tubing	Pack of 2

### Boat Top Fittings – Stainless Steel Type 316 – Hinge/Set Screw

ITEM#	STYLE#	DESCRIPTION	SIZE	STANDARD PACKAGE	THREADED FOR SIZE
284282	88338	Cone Point Allen Drive Set Screw	3/16 in.	100	1/4 28

### Boat Top Fittings – Stainless Steel Type 316 – Angle Hinge



ITEM #	STYLE #	DESCRIPTION	DRILLED FOR	PANHEAD SCREW	PROJECTION	SIZE	STANDARD PACKAGE
284207	230	Angle Hinge with Screw	#10 screw	1/4 - 20		3/4 in. x 2 in.	10
284073	387QR	Angle Hinge without Pin – 10° (1/4 in. drilled hole)	#10 screw	1/4 - 20	1 in.	7/8 in. x 2 in.	10
284208	233	Angle Hinge without Screw (1/4 in. drilled hole)	#10 screw			3/4 in. x 2 in.	10
284071	387	Angle Hinge – 10°	#10 screw	1/4 - 20	1 in.	7/8 in. x 2 in.	10
284078	886A	Universal Deck Hinge – 45°	1/4 in. screws	M6 x 1	1 in.	1 in. x 2-1/8 in.	10
284076	886	Universal Deck Hinge – 90°	1/4 in. screws	M6 x 1	7/8 in.	1 in. x 2-1/8 in.	10

### Boat Top Fittings – Stainless Steel Type 316 – Concave Hinge



ITEM #	STYLE #	DESCRIPTION	DRILLED FOR	PROJECTION	SIZE	STANDARD PACKAGE
284086	386R	Concave Hinge	#10 screw	1-1/4 in.	3/4 in. x 2-7/16 in.	10
284209	88321	Concave Hinge with 1/4 in. Bolt	#10 screw	1-3/8 in.	7/8 in. x 2 in.	10
284210	88321N	Concave Hinge without Pin	#10 screw	1-3/8 in.	7/8 in. x 2 in.	10

### Boat Top Fittings – Stainless Steel Type 316 – Socket



ITEM #	STYLE #	DESCRIPTION	STANDARD PACKAGE
284124	F13-0242/244BN	Concave Hinge Socket with Lanyard	10
284120	F13-0241/244BN	Deck Hinge Socket with Lanyard	10
284123	F13-0301/244BN	Hinge Socket with Lanyard	10
284132	F13-1095P	Socket Hinge with D-Ring – Port	10
284133	F13-1095S	Socket Hinge with D-Ring – Starboard	10

### Boat Top Fittings – Stainless Steel Type 316 – Deck Hinge



ITEM #	STYLE #	DESCRIPTION	DRILLED FOR	PANHEAD SCREW	PROJECTION	SIZE	STANDARD PACKAGE
284083	401	Bimini Quick Release Deck Hinge	#10 screw		1 in.	1-3/16 in. x 3-1/2 in.	10
284102	415	Bimini Quick Release Deck Hinge			1.3 in.	3.6 in.	10
284130	F13-1085P	Deck Hinge with D-Ring Port					10
284131	F13-1085S	Deck Hinge with D-Ring Starboard					10
284082	378QR	Deck Hinge without Pin (1/4 in. drilled hole)	#10 screw		1-1/8 in.	7/8 in. x 2 in.	10
282134	88320N	Deck Hinge without Pin – 90° (1/4 in. drilled hole)	#10 screw			3/4 in. x 2 in.	10
284206	88320	Deck Hinge – 90°	#10 screw	1/4 - 20		3/4 in. x 2 in.	10
284059		Heavy Duty Adjustable Deck Hinge – 90°	1/4-20 screw		1-1/2 in.		10
284259	88320-3	High Profile Deck Hinge	#10 screw	5/16 in. flush head screw	3 in.	1 in. x 2 in.	10
284070	378	Straight Deck Hinge	#10 screw	1/4 - 20	1-1/8 in.	7/8 in. x 2 in.	10

### Boat Top Fittings – Stainless Steel Type 316 – Post



ITEM #	STYLE #	DESCRIPTION	SIZE	STANDARD PACKAGE
284091	401-P-07	Bimini Quick Release Deck Hinge Post	5/8 in.	10
284109	401-P-07	Bimini Quick Release Deck Hinge Post	1/2 in.	10

### Boat Top Fittings – Stainless Steel Type 316 – Locking Rail Hinge



ITEM #	STYLE #	DESCRIPTION	FOR	STANDARD PACKAGE
284265	9027204	Locking Rail Hinge with Quick Release Pin	7/8 in. OD tube	10
284270	9027202	Locking Rail Hinge with Quick Release Pin	1 in. OD tube	10

### Boat Top Fittings – Stainless Steel Type 316 – Side Deck Plate Hinge



ITEM #	STYLE #	DESCRIPTION	BOLT SIZE	DRILLED FOR	SIZE	STANDARD PACKAGE
286170	398	Side Deck Plate – 2-Hole	1/4 in. - 20	#10 screw	7/8 in. x 2 in.	10
286172	388	Side Deck Plate – 4-Hole	1/4 in. - 20 Phillips			100
286173	388	Side Deck Plate – 4-Hole	5/16 in. Hex			100



### Boat Top Fittings – Stainless Steel Type 316 – Side Mount Hinge

ITEM #	DESCRIPTION	FOR	STANDARD PACKAGE
289324	Sliding Side Mount Hinge	1-1/4 in. OD tube	10
289325	Sliding Side Mount Hinge	7/8 in. OD tube	10
289326	Sliding Side Mount Hinge	1 in. OD tube	10
289323	Split Side Mount Hinge	1-1/4 in. OD tube	10
289328	Split Side Mount Hinge	1 in. OD tube	12



### Boat Top Fittings – Stainless Steel Type 316 – Lashing Hook

With two 3/16 inch holes.

ITEM #	STYLE #	DESCRIPTION	SIZE	STANDARD PACKAGE
287876	89010	Lashing Hook	1 in. x 1-1/4 in.	10



### Boat Top Fittings – Stainless Steel Type 316 – Double-Sided Jaw Slide



ITEM #	STYLE #	DESCRIPTION	FOR	STANDARD PACKAGE
287648	G6975	Double Side Jaw Slide with Swivel Hinge	1 in. OD tube	1
287655	88317-2	Double Sided Jaw Slide	1 in. OD tube	10



### Boat Top Fittings – Stainless Steel Type 316 – Hinged Jaw Slide



ITEM #	STYLE #	DESCRIPTION	FOR	STANDARD PACKAGE
284267	8731442	Hinged Jaw Slide with Allen Set Screw	7/8 in. OD tube	10
284268	8731443	Hinged Jaw Slide with Allen Set Screw	1 in. OD tube	10
284269	8731447	Hinged Jaw Slide with Allen Set Screw	1-1/4 in. OD tube	10



### Boat Top Fittings – Stainless Steel Type 316 – Rail



ITEM #	DESCRIPTION	FOR	STANDARD PACKAGE
226947	Locking Hinged Jaw Slide	1 in. OD tube	10
226948	Locking Hinged Jaw Slide	1-1/4" OD tube	10

### Boat Top Fittings – Stainless Steel Type 316 – Humpback Jaw Slide



282137



282138



287657



287659

ITEM #	STYLE #	DESCRIPTION	FOR	STANDARD PACKAGE
287660	8211	Humpback Jaw Slide with 2 Set Screws	1-1/4 in. OD tube	10
282137	88398	Humpback Jaw Slide with 2 Set Screws	7/8 in. OD tube	10
282138	88399	Humpback Jaw Slide with 2 Set Screws	1 in. OD tube	10
287657	356	Humpback Jaw Slide	7/8 in. OD tube	10
287659	368	Humpback Jaw Slide	1 in. OD tube	10

### Boat Top Fittings – Stainless Steel Type 316 – Jaw Slide



287651



287652



287653



282135



282136

ITEM #	STYLE #	DESCRIPTION	FOR	PANHEAD SCREW	STANDARD PACKAGE
287651	356	Counter Bore Jaw Slide without Set Screw	7/8 in. OD tube		10
287652	356	Jaw Slide with 1/4-28 Set Screw	7/8 in. OD tube	1/4 - 20	10
287653	368	Jaw Slide with 1/4-28 Set Screw	1 in. OD tube	1/4 - 20	10
282135	356-88316	Jaw Slide without Set Screw	7/8 in. OD tube	1/4 - 20	10
282136	356-88317	Jaw Slide without Set Screw	1 in. OD tube	1/4 - 20	10

### Boat Top Fittings – Stainless Steel Type 316 – Heavy-Duty Jaw Slide



284258

ITEM #	STYLE #	DESCRIPTION	FOR	STANDARD PACKAGE
284258	88329	Heavy Duty Jaw Slide with 2 Set Screws	1-1/4 in. OD tube	10

### Boat Top Fittings – Stainless Steel Type 316 – Jaw Slide For Pop Rivet



284255

ITEM #	STYLE #	DESCRIPTION	FOR	STANDARD PACKAGE
284255	F11-1001	Jaw Slide Socket For Pop Rivet	7/8 in. OD tube	10

### Boat Top Fittings – Stainless Steel Type 316 – Socket Jaw Slide



287635



287636

ITEM #	STYLE #	DESCRIPTION	FOR	STANDARD PACKAGE
287635	F11-1001AS	Jaw Slide Socket with Set Screw	7/8 in. OD tube	10
287636	F12-0300S	Jaw Slide Socket with Set Screw	1 in. OD tube	10



### Boat Top Fittings – Stainless Steel Type 316 – Adjuster Buckle

ITEM #	STYLE #	DESCRIPTION	FOR	STANDARD PACKAGE
284215	9114706	Web Adjuster Buckle with Recessed Base	1 in. OD tube	10



### Boat Top Fittings – Stainless Steel Type 316 – Pull Pin

ITEM #	STYLE #	DESCRIPTION	STANDARD PACKAGE
284126	F13-0244BN	Pull Pin with Pull Knob and Lanyard	10



### Boat Top Fittings – Stainless Steel Type 316 – Quick Release Pin

ITEM #	STYLE #	DESCRIPTION	STANDARD PACKAGE
284217	88546	Quick Release Pin (1/4 in. diameter, 7/8 in. grip)	10
284218	88547	Quick Release Pin (1/4 in. diameter, 7/8 in. grip) w/ Tab and 6" Nylon-Coated Stainless Steel Cable	10
284220	88551	Quick Release Pin (1/4 in. diameter, 1 in. grip) w/ DCAM-S Ring	10
284221	88548	Quick Release Pin (1/4 in. diameter, 3/4 in. grip) w/ DCAM-S Ring and 6" Nylon-Coated Cable	10



### Boat Top Fittings – Stainless Steel Type 316 – Push Button

ITEM #	STYLE #	DESCRIPTION	STANDARD PACKAGE
284203	89008	Push Button	10



### Boat Top Fittings – Stainless Steel Type 316 – Snap Hook

ITEM #	STYLE #	DESCRIPTION	FOR	LENGTH	STANDARD PACKAGE	WEBBING SIZE
226965		Fast Eye Heavy Duty Snap Hook	1 in. OD tube	2 in.	10	1 in.
266687	24955-0	Snap	3/8 in. OD tube	2-1/8 in.	10	3/8 in.
284281	8928263	Heavy Duty Snap Hook	1 in. OD tube		10	



### Boat Top Fittings – Stainless Steel Type 316 – Side Mount with Concave Base

ITEM #	DESCRIPTION	STANDARD PACKAGE
226940	Side Mount – 90°	10
226941	Side Mount – 75°	10





226929

### Boat Top Fittings – Stainless Steel Type 316 – Plug

ITEM #	STYLE #	DESCRIPTION	FOR	STANDARD PACKAGE
226929	88303	Bullet End Plug	7/8 in. OD tube	10



282216

### Boat Top Fittings – Stainless Steel Type 316 – Elbow Eye End

ITEM #	STYLE #	DESCRIPTION	FOR	STANDARD PACKAGE
282216	88310	Elbow – 90°	1 in. OD tube	10



226920

### Boat Top Fittings – Stainless Steel Type 316 – Slip Tee

ITEM #	DESCRIPTION	FOR	STANDARD PACKAGE
226920	Slip Tee – 90°	7/8 in. OD tube	10
226922	Slip Tee – 90°	1 in. OD tube	10



226922

### Boat Top Fittings – Stainless Steel Type 316 – Hinged Tee

ITEM #	DESCRIPTION	FOR	STANDARD PACKAGE
226921	Hinged Slip Tee – 90°	7/8 in. OD tube	10



226921

### Boat Top Fittings – Stainless Steel – Push Button

ITEM #	STYLE #	MATERIAL	SIZE	STANDARD PACKAGE
208340	II-132	Stainless Steel	1/4 in.	10



208340

### Boat Top Fittings – Stainless Steel – Bolster Clip

ITEM #	STYLE #	MATERIAL	SIZE	STANDARD PACKAGE
255216	F16-0094	Stainless Steel	3 in.	1



255216

### Tubing – Marine – Stainless Steel Type 304

For convertible boat tops and boat railings. Available from 7/8 inch to 1-1/4 inch O.D. with 16 and 18 gauge wall thicknesses. This tubing is tig welded, polished, buffed and paper sleeved. Sold in full lengths only.

ITEM #	GAUGE	LENGTH	OUTSIDE DIAMETER	PUT UP	STANDARD PACKAGE	WEIGHT PER FOOT
275768	16	20 ft.	1 in.	300 ft.	20	0.6452 lbs.
275765	16	24 ft.	1 in.	360 ft.	24	0.6452 lbs.
275769	16	24 ft.	1-1/4 in.	216 ft.	24	0.8174 lbs.
275759	16	24 ft.	7/8 in.	480 ft.	24	0.5591 lbs.
275779	18	24 ft.	1 in.	360 ft.	24	0.5290 lbs.
275761	18	20 ft.	7/8 in.	400 ft.	20	0.4593 lbs.
275763	18	24 ft.	7/8 in.	480 ft.	24	0.4593 lbs.

## Tubing – Marine – Stainless Steel Type 316

For convertible boat tops and boat railings. Available from 7/8 inch to 1-1/4 inch O.D. with 16 and 18 gauge wall thicknesses. This tubing is tig welded, polished, buffed and paper sleeved. Sold in full lengths only.

ITEM #	GAUGE	LENGTH	OUTSIDE DIAMETER	PUT UP	STANDARD PACKAGE	WEIGHT PER FOOT
275790	16	20 ft.	1 in.	300 ft.	20	0.6452 lbs.
275791	16	24 ft.	1 in.	360 ft.	24	0.6452 lbs.
275797	16	24 ft.	1-1/4 in.	216 ft.	24	0.8174



578164

## Keder – Roller Track

Aluminum.

ITEM #	STYLE #	DEGREE OF CHANNEL	LENGTH	STANDARD PACKAGE
578164	48.6025.31.05	180°	16.4 ft.	1
578166	48.5524.31.05	90°	16.4 ft.	1
578167	48.5524.31.025	180°	8.2 ft.	1



578160



578161

## Crocodile Hanger®

Crocodile Hangers combine the strong sliding and movement features of Ball Hooks with the durability of Bar Sliders. The composition and design allows excellent durability for use in a range of environments.

ITEM #	STYLE #	DESCRIPTION	SIZE	STANDARD PACKAGE
578160	35.0927.41	Ball Hook	9 mm	100
578161	35.2727.41	Calott Slider	9 mm	100
578162	35.8027.41.21	Keder Track Roller with Screw Caps	9 mm	100
578163	25.8309.18	Stainless Steel Screw		100



578162



578163

Crocodile Hanger® is a registered trademark of American Keder, Inc.



578104

## Keder – Marine

Keder is designed for use in tensile structures where strength and resistance to the elements are critical. Made from a unique, heavy-duty polyester fabric welded to a solid PVC cord. It is easy to sew and won't tear out. It easily slides through Flex-A-Rail and various PVC and aluminum tracks.

ITEM #	STYLE #	DESCRIPTION	COLOR	PUT UP	SIZE
578131			Black	109 yd.	7.5 mm
578134	C7420		Black	109 yd.	8.5 mm x 20 mm
578130			White	109 yd.	7.5 mm
578107	11.0830.11		White	110 yd.	8.5 mm
578133	C7420		White	109 yd.	8.5 mm x 20 mm
578103	12.0830.11	Double Tongue	White	110 yd.	8.5 mm
578111	13.0722.19	Welded Tongue	Black	110 yd.	7.5 mm
578105	13.0820.19	Welded Tongue	Black	110 yd.	8.5 mm
578106	13.0720.11	Welded Tongue	White	110 yd.	7.5 mm
578104	13.0820.11	Welded Tongue	White	110 yd.	8.5 mm

## Keder – Tent

Keder is designed specifically for use in outdoor tensile structures where strength and resistance to the elements are critical. Made from a unique, heavy-duty polyester fabric welded to a solid PVC cord. It is easy to sew and won't tear out.

ITEM #	COLOR	PUT UP	SIZE
578137	Panama with Blackout	218 yd.	11 mm x 40 mm
578136	White with Blackout	218 yd.	13 mm x 40 mm
578135	White	218 yd.	13 mm x 40 mm

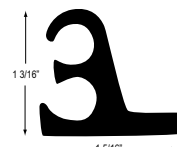


251028



R1062

251051



R1234

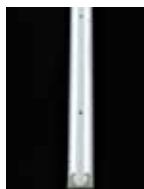
251058

## Track – PVC

This rigid PVC molding is UV resistant, non-corrosive, non-rusting and can be used in or on salt water. Can be shaped very easily.

Will cold crack under extreme cold conditions.

ITEM #	STYLE #	DESCRIPTION	COLOR	DEGREE OF CHANNEL	FLANGE SIZE	LENGTH	STANDARD PACKAGE	WEIGHT PER FOOT
251026	1445		White	90°	0.610 in.	18 ft.	270	0.15 lbs.
251028	333		White	90°	0.610 in.	8 ft.	120	0.15 lbs.
251051	R1062		White	45°	0.500 in.	8 ft.	8	0.185 lbs.
251052	R1062		White	45°	0.500 in.	14 ft.	14	0.185 lbs.
251057	R1338	Double Ceiling Molding	White			8 ft.	80	0.2451 lbs.
251058	R1234	Double Wall Molding	White		0.500 in.	8 ft.	8	0.325 lbs.



578060

## Track – Costa Track®

Costa Track is a center mount track with a heavy-duty PVC profile that maximizes load capability for large covers, bimini and track-to-track enclosures. It is pre-drilled every four inches, and can be heat-formed to most radiuses. Its large channel opening allows use of stainless steel #6 oval head screws for more secure attachment. The deep screw trough base design allows for use of 8.5mm Keder with sufficient clearance of screw heads.

Costa Track is designed with a pocketed underside to accommodate Double-Faced Foam Pressure Sensitive Tape, which is used to set and seal the track to the mounting surface before being secured with the screws.

ITEM #	DESCRIPTION	COLOR	LENGTH	STANDARD PACKAGE	TYPE
578060	UVR Heavy Duty Vinyl	White	8 ft.	8	Flat
578061	UVR Heavy Duty Vinyl	White	16 ft.	16	Flat
578063	UVR Heavy Duty Vinyl	Off-White	16 ft.	16	Flat
578066	UVR Heavy Duty Vinyl	Off-White	16 ft.	16	Contoured
578067	UVR Heavy Duty Vinyl	White	16 ft.	16	Contoured

Costa Track® is a registered trademark of Costa Marine Canvas and Enclosures.



284246

## Track – Costa Track® End Cap

This polished end cap gives a professional finish to your Costa Track® track installation while protecting the PVC opening from being "burned out" by taking the keder in and out of the track. Not applicable for contoured Costa Track.

ITEM #	STYLE #	MATERIAL	STANDARD PACKAGE
284246	501354800	Stainless Steel Type 316	1



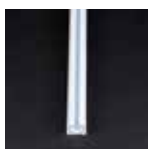
578069

### Track – Three Channel – PVC

This white PVC Three Channel Track is designed to extend double track capabilities to locations where fasteners are not available, or when track cannot be mounted to a boat, such as the crown on a hardtop, and cross sections of fabric or stainless steel rods. This track can be used with Trivantage® 8.5 mm Keder.

ITEM #	STYLE #	COLOR	LENGTH	PUT UP	STANDARD PACKAGE
578069	0773	White	12 ft.	12 ft.	12

Trivantage® is a registered trademark of Glen Raven, Inc.



578019

### Track – Flex-A-Rail

Flex-A-Rail provides quick and easy installation of boat windshields, tops, covers and curtains. It can also be used to mount awnings and truck covers.

A PVC extrusion, Flex-A-Rail is non-corrosive and can be run around tight corners without the use of crimping tools. Only small amounts of heat are needed to bend or straighten. Pre-drill holes just slightly larger than the shank of the screw. Holes should be 2 inches to 2-1/2 inches apart for tight radiuses, and 4 inches to 8 inches apart depending upon the configuration of the mounting surface.

ITEM #	STYLE #	DESCRIPTION	COLOR	LENGTH	STANDARD PACKAGE
578019	180-2-W	UVR Vinyl	White	180 in.	50
578018	90-2-B	UVR	Black	90 in.	100
578017	90-2-W	UVR Vinyl	White	90 in.	100



265452



265453



265450



265454

### Track – Trim Screws

For use with PVC and aluminum track.

ITEM #	DESCRIPTION	MATERIAL	SIZE	STANDARD PACKAGE
265452	Hex Driver for Trim Screw (265453)			1
265453	Hex Head Trim Screw	Stainless Steel	#6 x 3/4" x #4 head, #0 square drive	1
265450	Phillips Head Trim Screw	Stainless Steel	#6 x 3/4" x #4 pan head	1
265454	Phillips Head Trim Screw	Stainless Steel	#6 x 5/8" x #4 head	1



### Track – Headliner

Headliner track is an efficient and cost effective way to install or replace headliners. With Headliner Track, there is no need for staplers or trim strips, and fabricators no longer need to work in enclosed spaces using toxic adhesives and heavy foam backed fabrics.

Headliner Track also makes it possible to replace damaged headliners or work on parts of the boat which were previously not accessible without damaging or rebuilding the entire headliner. Headliner Track allows you to simply pull the fabric out of the track and put it back when the work is done.

Headliner Track is available in two profiles. The Perimeter track is used for the outside edge of a cabin ceiling and the Mid-Wall track is used as an intermediate attachment of the headliner fabric's seams and centerlines. Attached with screws, Headliner Track can be easily mitered for clean corners or slotted for gradual bends and curves.

ITEM #	DESCRIPTION	LENGTH	STANDARD PACKAGE
578070	Perimeter Track	18 ft.	18
578071	Mid-Wall Track	18 ft.	18



275454

## Track – Headliner – Tools

Four custom Headliner track tools make fabric installation a snap. Each tool is lightweight and ergonomically designed with textured, non-slip surfaces. Tools include a 45-degree angle short run tool for tight spaces at close angles; a curved edge tool and straight edge tool for straight runs of short distance; and a nine-inch pizza cutter for long runs of either the Perimeter or Mid-Wall Track.



275455

ITEM #	DESCRIPTION	STANDARD PACKAGE
275457	Bend Tool – 45°	1
275456	Curved Edge Tool	1
275454	Pizza Cutter Tool	1
275455	Straight Edge Tool	1



277543

## Boat Vent 3

Boat Vent 3 is an improved version of Boat Vent II, which made its name in the marine industry by preventing the growth of mold and mildew on covered boats. Made from a high UV-inhibited plastic, improvements include 40% more venting, an overhanging top to deter moisture, 30 washer teeth for better grip and an ergonomic reversible nut for easy installation.

ITEM #	COLOR	STANDARD PACKAGE
277543	Black	1



277541

## Boat Vent II

A plastic cover support and venting device for use with 3/4 inch or 7/8 inch mooring poles. Designed to distribute a greater volume of exhaust air while closing the top-to-bottom gap that keeps rain out. Suitable for all types of fabric. Unique design eliminates the need for screws, saving time.

ITEM #	COLOR	STANDARD PACKAGE
277541	Black	1



277540

## Boat Vent Circle Cutter

Convenient circle cutter allows a hole to be cut in a matter of seconds, for quick and easy installation of the Boat Vent device into fabric. Simply place the cutter in position on the canvas where your Boat Vent is going to sit, press down, and rotate the handle clockwise. One complete revolution provides the perfect 2-1/4" hole for Boat Vent II or a 2-4/5" hole for Boat Vent 3. Using the circle cutter will save time and prevent costly mistakes. The one-of-a-kind device guarantees cutting at least 2,500 holes without dulling. You can use this circle cutter with Boat Vent II or Boat Vent 3 just by switching the blade around.

ITEM #	DESCRIPTION	STANDARD PACKAGE
277540	Boat Vent Circle Cutter	1
277542	Boat Vent Circle Cutter Replacement Blade	1



### Vent-Sol-Air™

Vent-Sol-Air uses a solar-powered fan to circulate air under tented boat covers, which fights mold and mildew, and maintains the appearance of a boat's interior.

Vent-Sol-Air mounts to the pole of tented boat covers and installs in minutes. Its sealed, water-resistant design is constructed of tough-plastic for marine-grade durability. Vent-Sol-Air taps the natural power of the sun without using batteries or power cords.



277550

ITEM #	STANDARD PACKAGE
277550	1



### Ventilator – Airlette®

Installs in seconds without the aid of hardware or adhesives, by “snapping” into place with an assured water-tight seal. The Airlette Ventilator automatically self-adjusts to fit any material up to 1/8 inch thick. Its hood rotates 360° and can be detached for easy storage.

277501

ITEM #	STYLE #	COLOR	STANDARD PACKAGE
277501	BSA-2	White	1

Airlette® is a registered trademark of Airlette Manufacturing Corporation.



### Ventilator – Vent-Aire®

Vent-Aire Vents prevent dry-rot, condensation, mildew and rust. Made of tough, pliable plastic, which snaps back without damage after being bent, folded or flattened. Special hood design ensures that vent will remain open regardless of how cover material is folded.

277630



277610

ITEM #	STYLE #	COLOR	SIZE	STANDARD PACKAGE
277662	63	Black	1-1/2 in. (H) x 5 in. (W) x 6-1/8 in. (L)	1
277660	63	Natural	1-1/2 in. (H) x 5 in. (W) x 6-1/8 in. (L)	1
277630	62	Natural	2 in. (H) x 6-21/32 in. (W) x 6-1/8 in. (L)	1
277610	61	Natural	3 in. (H) x 10 in. (W) x 9 in. (L)	1

Vent-Aire® is a registered trademark of Kaybob Products Co.



### HANGTYTE Boat Cover System

An alternative to pole systems, HANGTYTE is a boat cover suspension device that works with all covers. Simple setup. Easy operation.

274811

ITEM #	STYLE #	STANDARD PACKAGE
274811	60901-0000	1



251913

## Needle – Sail

ITEM #	STYLE #	FINISH	LENGTH	MATERIAL	STANDARD PACKAGE	TYPE
251916	16	Nickel Plated	2-3/8 in.	Steel	25	Standard
251913	13	Nickel Plated	3 in.	Steel	1	Standard
251706	501	Nickel Plated	6 in.	Steel	1	Curved



254501

## Sailmaker's Palm

Riveted sailmaker's palm with rawhide covered thimble.

ITEM #	STYLE #	STANDARD PACKAGE
254501	1	1



254710

## Pencil – Fabric Marking

For clear, easy marking of fabrics in the cutting room. Trivantage® offers special pencils with either black, white or yellow lead. Yellow pencils can be wiped off vinyls but are difficult to remove from woven textiles. Black pencils can be used on white fabrics of any type and can be erased or wiped off easily. White pencils are also known as a "spit pencils."

ITEM #	DESCRIPTION	FOR	STANDARD PACKAGE
254711	Black Lead	White fabrics (any type)	72 pencils/box
254706	White Hex Untipped Projection Lead	Clear vinyl, vinyl laminates, vinyl coated polyester and nylon	144 pencils/box
254709	White Lead 1256 "Spit Pencil"	Vinyl, acrylic and woven fabrics	72 pencils/box
254710	Yellow Lead	Vinyl and acrylic fabrics	72 pencils/box

Trivantage® is a registered trademark of Glen Raven, Inc.



255208

## Pins – T

Used to secure fabric and make pattern before sewing. A very helpful aid when doing complex custom work, such as a boat top.

ITEM #	STYLE #	LENGTH	MATERIAL	PUT UP	STANDARD PACKAGE
255208	32	2 in.	Steel	1/2 lb. box	1 pound box



255215

## Pins – Upholstery

ITEM #	STYLE #	MATERIAL	SIZE	STANDARD PACKAGE
255215	190	Steel	3 in.	1 gross
255214	190	Steel	4 in.	1 gross



214296

## Spring Clip – Stainless Steel

Used to carry hand tools.

ITEM #	STYLE #	SIZE	STANDARD PACKAGE
214296	301	0.020 in. x 7/8 in. x 3-3/8 in.	1000



200795

### Anchor – Pool Cover

The No. 50 deluxe brass anchor remains flush with the pool deck when not in use, and is highly corrosion resistant. It allows the cover to be easily and securely installed by unscrewing the bolt to receive “S” hooks on a rubber tie, a rubber tie hole, or the rounded ring end of the stainless steel spring. There are no threads to strip at the top of the bolt.

For use with Spring – Pool Cover (Item no. 200797).

ITEM #	STYLE #	DESCRIPTION	MATERIAL	STANDARD PACKAGE
200795	50	Pool Anchor	Brass	1



200797

### Spring – Pool Cover

ITEM #	LENGTH	MATERIAL	STANDARD PACKAGE
200797	7.5 in.	Stainless Steel Type 304	1
273795	8 in.	Stainless Steel	1



274511

### Ties – Cable

Specially treated for outdoor exposure, these nylon cable ties are designed to allow uniform tightening. Plus, they require less time than traditional lacing cord. These ties are an ideal solution for a professional appearance at a low cost.

ITEM #	STYLE #	COLOR	LENGTH	STANDARD PACKAGE
274511	T50ROM4	Black	8 in.	1000



274515

### Ties – Awning

These aluminum ties are flexible and very easy to use. Will not rust or stain. Can be reused.

ITEM #	STYLE #	LENGTH	STANDARD PACKAGE
274515	5	5 in.	200



239401

### Hook – Tarp Binding

Cold drawn steel with zinc-plated finish, designed primarily to hold tarp ropes securely on truck bodies. Can be used in any industry where ropes are used, and where rope must be held tight.

ITEM #	STYLE #	DESCRIPTION	DIAMETER HOLE	HOOK OPENING	LENGTH	STANDARD PACKAGE	WIRE DIAMETER
239402	12010	Hook No. 3	3/16 in.	5/8 in.	2 in.	100	0.250 in.
239401	12011	Hook No. 5	1/4 in.	1 in.	3-3/4 in.	100	0.365 in.
239452	12009	Hook No. 52C	3/16 in.	7/16 in.	1-1/2 in.	100	0.192 in.



226010



226002

### Screw Eye

Zinc-plated finish – with sharp gimlet points for quick starting.



226008

ITEM #	STYLE #	INSIDE DIAMETER EYE	LENGTH	LENGTH SHANK	STANDARD PACKAGE	WIRE DIAMETER
226010	10	13/32 in.	1-3/8 in.	11/16 in.	100	0.135 in.
226002	2	23/32 in.	2-5/8 in.	1-15/32 in.	50	0.263 in.
226008	8	15/32 in.	1-5/8 in.	13/16 in.	100	0.162 in.





### Screw Eye – Long Shank

Zinc-plated. For fastening through wood shingles.

ITEM #	STYLE #	INSIDE DIAMETER EYE	LENGTH	LENGTH SHANK	STANDARD PACKAGE
226085	8-1/2	1/2 in.	2-5/16 in.	1-3/8 in.	100



### Screw Eye – Open Eye

Zinc-plated finish with sharp gimlet points for starting.

ITEM #	STYLE #	INSIDE DIAMETER EYE	LENGTH	LENGTH SHANK	STANDARD PACKAGE
226108	8	1/2 in.	1-5/8 in.	13/16 in.	100



### O Ring



ITEM #	DIAMETER OF STOCK	FINISH	GAUGE	INSIDE DIAMETER OF RING	MATERIAL	STANDARD PACKAGE
260902	0.177	Chrome Plated	9	1 in.	Zinc Die-Cast	500
260903	3/32 in.		13	3/8 in.	Zinc Die-Cast	1000
260905	3/32 in.	Nickel Plated	12	5/8 in.	Steel	500
260906	1/8 in.		11	3/4 in.	Zinc Die-Cast	500
260920		Nickel Plated			Steel (Welded)	100
261004	1-1/2 in.	Cadmium	3	1-1/2 in.	Steel	750
261005	1-3/64 in.	Cadmium	6	1-1/4 in.	Steel	100
261007	11/32 in.	Cadmium	0	1-3/4 in.	Steel	100
261008	11/32 in.	Cadmium	0	2 in.	Steel	100
261009	3/8 in.	Cadmium	000	2-1/4 in.	Steel	100
261010	3/8 in.	Cadmium	000	2-1/2 in.	Steel	100
261011	3/8 in.	Cadmium	000	2-3/4 in.	Steel	100
261012	3/8 in.	Cadmium	000	3 in.	Steel	50
261102	0.177 in.			1 in.	Type 316 Stainless Steel	100



### Spring – Snap Link

Zinc-plated steel.

ITEM #	STYLE #	DESCRIPTION	STANDARD PACKAGE
266677	245M-50M	1.97 in. x 5 mm wire	100



269115

## Goldline® EPDM Tie-Down And Tarp Strap

Straps reinforced at hook ends. Hooks are 2-1/2 inch and where included come in a quantity of 2.

To determine strap size, let maximum stretch length, below, be your guide. For example, if distance between tarp grommet and trailer tie-down bar is 24 inch, order a 15 inch strap which provides a maximum 25 inch stretch length. If distance is 27 inch, order a 21 inch strap with maximum 34 inch stretch length.

Where hooks are inserted, or included loose, we supply two hooks per strap, or 100 pieces.

ITEM #	STYLE #	DESCRIPTION	LENGTH OVERALL WITH HOOK	MAXIMUM STRETCH WITH HOOK	STANDARD PACKAGE	TARP STRAP LENGTH
269109	635197920	Strap without Hooks	13 in.	18 in.	50	10 in.
269115	635197820	Strap without Hooks	18 in.	25 in.	50	15 in.
269120	635196920	Strap without Hooks	24 in.	34 in.	50	21 in.
269210	635197930	Strap with Hooks Loose in Box	13 in.	18 in.	50	10 in.
269215	635197830	Strap with Hooks Loose in Box	18 in.	25 in.	50	15 in.
269221	635196930	Strap with Hooks Loose in Box	24 in.	34 in.	50	21 in.
269231	635197730	Strap with Hooks Loose in Box	34 in.	49 in.	50	31 in.
269310	635197940	Strap with Hooks Inserted	13 in.	18 in.	50	10 in.
269315	635197840	Strap with Hooks Inserted	18 in.	25 in.	50	15 in.
269321	635196940	Strap with Hooks Inserted	24 in.	34 in.	50	21 in.
269331	635197740	Strap with Hooks Inserted	34 in.	49 in.	50	31 in.
269341	635738940	Strap with Hooks Inserted	44 in.	66 in.	50	41 in.

UNIVERSAL POLYMER Warning for EPDM TARP AND TIE-DOWN STRAPS: Observe maximum stretch warnings. Straps should not be stretched more than 50% of their normal length. Sudden disconnect in a stretched position may cause serious eye injury. Wear safety glasses during tie down and disconnect. Inspect straps before each use. Discard if abraded, cut or cracked. Straps should not be substituted as primary tie-down device for load.

Goldline® is a registered trademark of Universal Polymer & Rubber LTD.



269200

## Hook – Tarp Strap “S”

ITEM #	STYLE #	LENGTH	MATERIAL	SIZE OPENING	STANDARD PACKAGE
239801	1	1-11/16 in.	Zinc-Plated Steel	3/8 in.	100
239803	3	1-5/8 in.	Zinc-Plated Steel	5/8 in.	100
269200		2-1/2 in.	Stainless Steel	9/16 in.	100
269202		2-1/2 in.	Galvanized Steel	7/8 in.	100
269204		4-1/2 in.	Galvanized Steel	1 in. / 7/8 in.	100



261992

## Tie-Down – EPDM Rope Standard Black

Use anywhere constant tension is needed. Just cut the cord to the length required, apply the galvanized double eye hooks at both ends, and it's ready for use. Will not crack, chip or peel. Use in any weather.

ITEM #	STYLE #	PUT UP	ROPE SIZE	STANDARD PACKAGE	WEIGHT
261991	933037502	200 ft. coil	3/8 in.	1	13 lbs.
261990	933037501	200 ft. coil with 150 double eye hooks	3/8 in.	1	22 lbs.
261992	933037503	800 ft. coil	3/8 in.	1	50 lbs.

UNIVERSAL POLYMER Warning for EPDM ROPE TIE-DOWNS: Sudden disconnect in a stretched position may cause serious eye injury. Wear safety glasses during tie down and disconnect. Inspect before use. Discard if abraded, cut or cracked.



261993

## Tie-Down – EPDM Rope Heavy Duty Black

Use anywhere constant tension is needed. Just cut the cord to the length required, apply the galvanized double eye hooks at both ends, and it's ready for use. Will not crack, chip or peel. Use in any weather.



261996

ITEM #	STYLE #	DESCRIPTION	PUT UP	ROPE SIZE	STANDARD PACKAGE	WEIGHT
261994	933043701		150 ft. coil	7/16 in.	1	13 lbs.
261993	933043702		150 ft. coil with 150 double eye hooks	7/16 in.	1	22 lbs.
261995	933043703		600 ft. coil	7/16 in.	1	48 lbs.
261996		Galvanized Double Eye Hooks			1000	

UNIVERSAL POLYMER Warning for EPDM ROPE TIE-DOWNS: Sudden disconnect in a stretched position may cause serious eye injury. Wear safety glasses during tie down and disconnect. Inspect before use. Discard if abraded, cut or cracked. Coil only in Display Carton.



266679

## Snap – Bolt

Malleable iron, loop eye.

ITEM #	STYLE #	FINISH	LENGTH	MATERIAL	STANDARD PACKAGE	WEBBING SIZE
266679	25	Cadmium Plated	3-1/4 in.	Malleable Iron	10	1 in.



266675

## Snap – Curtain Trigger

Made of malleable iron. Used to fasten down roller curtains. Zinc plated.

ITEM #	STYLE #	LENGTH	STANDARD PACKAGE	WEBBING SIZE
266675	204	1-3/4 in.	10	3/4 in.



266895

## Snap – Spring



266672

ITEM #	STYLE #	FINISH	LENGTH	MATERIAL	STANDARD PACKAGE	WEBBING SIZE
266680	200	Cadmium Plated	3-1/16 in.	Malleable Iron	10	1 in.
266876	349			Stainless Steel	100	1 in.
266895	5016	Nickel Plated	2-5/8 in.	Steel	100	1 in.
266904	5350	Nickel Plated	1-3/4 in.	Steel	20	1 in.
266685	900ST	Nickel Plated		Steel	100	1 in.
266741	142-A	Zinc Plated	2-1/8 in.	Steel	100	1 in.
266672	200	Cadmium Plated	3-9/16 in.	Malleable Iron	10	1-1/2 in.
266681	142-A	Nickel Plated	1-15/16 in.	Steel	100	1-1/2 in.
266674	200	Cadmium Plated	3-3/4 in.	Zinc	10	2 in.
266767	249	Brass	2-1/2 in.	Brass	100	3/4 in.

## Snap – Tent Wall

ITEM #	STYLE #	FINISH	MATERIAL	STANDARD PACKAGE	WEBBING SIZE
266686	340Z	Nickel Plated	Zinc Die Cast	500	1 in.



267306

### Trailer Awning Spring

Designed to equalize tension on guy lines of trailer awnings and eliminate adjustment. Equipped with loops at each end for rope fastening. Made of high-grade wire to provide flexibility. Zinc-plated.

ITEM #	LENGTH	STANDARD PACKAGE
267306	4-5/8 in.	1



130609

### Eave Web Guy Fitting

A plated, stamped steel fitting to accommodate supporting web, pole and guy line. Fitting has a round hole for guy line, 7/8 inch hole for side pole, and oblong hole for webbing. Fitting is also designed for attachment of eave rope. Will accommodate webbing up to 2 inch in width.

ITEM #	STYLE #	STANDARD PACKAGE
130609	162	25



266514

### Tent Slide

Stamped galvanized steel.

ITEM #	STYLE #	LENGTH	ROPE SIZE	STANDARD PACKAGE
266514	4	4 in.	5/16 in.	500



266504

### Tent Slip

Injection-molded, glass-filled nylon, 4 inch long for 5/16 inch diameter rope. Meets spec. MIL-S-1734 Type II.

ITEM #	COLOR	LENGTH	ROPE SIZE	STANDARD PACKAGE
266504	Olive Drab	4 in.	5/16 in.	700



267612

### Tent Stake – Steel

Formed of heavy-gauge, pre-coated galvanized steel. Specially designed top provides maximum strength with minimum weight.

ITEM #	LENGTH	STANDARD PACKAGE
267609	9 in.	100
267612	12 in.	100
267615	15 in.	100



267710

### Tent Stake – Kinked Wire

A sturdy all-steel tent stake with slash-cut end, and kinked body made of 1/4 in. diameter steel. Bright zinc plating adds lasting protection. Can also be used for ground fastening of sunshades, wind baffles and privacy screens.

ITEM #	LENGTH	STANDARD PACKAGE
267709	9 in.	100
267710	9 in.	1000



267500

### Tent Stake – Polypropylene

Made to withstand heavy usage. Superior strength in temperature extremes.

ITEM #	COLOR	LENGTH	STANDARD PACKAGE
267500	Yellow	9 in.	300

## YKK® AQUAGUARD®

AQUAGUARD® zippers have a shiny polyurethane coating with an embossed finish that sheds water, as well as enhancing the appearance. These zippers can be ultrasonically bonded or sewn.

ITEM #	STYLE #	COLOR	LENGTH	STANDARD PACKAGE
280869	UR CT40L-101 DFBL 67752	Black	240 in.	10

YKK® and AQUAGUARD® are registered trademarks of YKK Corporation in Japan and other countries/regions.



280331

## YKK® VISLON® 10VF No. 10 Sliders – Metal

ITEM #	STYLE #	DESCRIPTION	COLOR	COLOR #	STANDARD PACKAGE
280363	10VFDX	AutoLok Double Pull	Black	580	100
280336	10CFDX	AutoLok Double Pull	White	501	100
280362	10VFDA	AutoLok Single Pull	Black	580	100
280595	10VFDA	AutoLok Single Pull	Light Beige		1000
280334	10VFDA	AutoLok Single Pull	White	501	1000
280873	10VFDWL	Non-Locking Long Double Pull Tab	Black	580	100
280872	10VFDWL	Non-Locking Long Double Pull Tab	White	501	100
280369	10VDFWW	Non-Locking Short Double Pull Tab	Black	580	100
280332	10VDFWW	Non-Locking Short Double Pull Tab	White	501	100
280331	10VDFW	Non-Locking Short Single Pull Tab	Black	580	100
280330	10VDFW	Non-Locking Short Single Pull Tab	White	501	100
280950	10VDFL	Non-Locking Single Pull	Black	580	100

YKK® and VISLON® are registered trademarks of YKK Corporation in Japan and other countries/regions.



280361

## YKK® VISLON® 10VF No. 10 Sliders – Plastic

ITEM #	STYLE #	DESCRIPTION	COLOR	COLOR #	STANDARD PACKAGE
280360	10VFTA	AutoLok Single Pull	White	501	100
280361	10VFTA	AutoLok Single Pull	Black	580	100
280364	10VFTX	AutoLok Double Pull	White	501	100
280365	10VFTX	AutoLok Double Pull	Black	580	100
280366	10VFTW	Non-Locking Short Double Pull Tab	White	501	100

YKK® and VISLON® are registered trademarks of YKK Corporation in Japan and other countries/regions.



280311

## YKK® VISLON® 10VFUV No. 10 Chain (VF)

Full rolls only.

ITEM #	STYLE #	COLOR	COLOR #	STANDARD PACKAGE	WIDTH
280311	10VF	Black	580	109 yds.	11/16 in.
280309	10VF	Black	580	55 yds.	11/16 in.
299398	10VF	White	501	109 yds.	11/16 in.
280307	10VF	White	501	55 yds.	11/16 in.

YKK® and VISLON® are registered trademarks of YKK Corporation in Japan and other countries/regions.



295641

### YKK® VISLON® 5VS No. 5 Sliders – Metal

ITEM #	STYLE #	DESCRIPTION	COLOR	COLOR #	STANDARD PACKAGE
295658	5VSDXL	AutoLok Standard Double Pull Tab	Black	580	100
295657	5VSDXL	AutoLok Standard Double Pull Tab	White	501	100
295654	5VSDA	AutoLok Standard Single Pull Tab	Black	580	100
295653	5VSDA	AutoLok Standard Single Pull Tab	White	501	100
295650	5VSDWL	Non-Locking Long Double Pull Tab	Black	580	100
295649	5VSDWL	Non-Locking Long Double Pull Tab	White	501	100
295642	5VSDFL	Non-Locking Long Single Pull Tab	Beige	573	100
295641	5VSDFL	Non-Locking Long Single Pull Tab	Black	580	100
295640	5VSDFL	Non-Locking Long Single Pull Tab	White	501	100
295646	5VSDFW	Non-Locking Short Single Pull Tab	Black	580	100
295645	5VSDFW	Non-Locking Short Single Pull Tab	White	501	100

YKK® and VISLON® are registered trademarks of YKK Corporation in Japan and other countries/regions.



295670

### YKK® VISLON® 5VS No. 5 Sliders – Plastic

ITEM #	STYLE #	DESCRIPTION	COLOR	COLOR #	STANDARD PACKAGE
295674	5VSTX	AutoLok Standard Double Pull Tab	Black	580	100
295670	5VSTA	AutoLok Standard Single Pull Tab	Black	580	100
295669	5VSTA	AutoLok Standard Single Pull Tab	White	501	100
295665	5VSTW	Non-Locking Short Double Pull Tab	White	501	100
295662	5VSTF	Non-Locking Short Single Pull Tab	Black	580	100
295661	5VSTF	Non-Locking Short Single Pull Tab	White	501	100

YKK® and VISLON® are registered trademarks of YKK Corporation in Japan and other countries/regions.



295627

### YKK® VISLON® 5VS No. 5 Chain

Full rolls only.

ITEM #	STYLE #	COLOR	COLOR #	STANDARD PACKAGE	WIDTH
295630	5VS	Beige	573	218 yds.	9/16 in.
295627	5VS	Black	580	109 yds.	9/16 in.
295628	5VS	Black	580	218 yds.	9/16 in.
295625	5VS	White	501	109 yds.	9/16 in.
295626	5VS	White	501	218 yds.	9/16 in.

YKK® and VISLON® are registered trademarks of YKK Corporation in Japan and other countries/regions.



280922

### YKK® VISLON® 8VF No. 8 Sliders – Metal

ITEM #	STYLE #	DESCRIPTION	COLOR	COLOR #	STANDARD PACKAGE
280938	8VFDXL	AutoLok Long Double Pull Tab	Black	580	1000
280926	8VFDXL	AutoLok Long Double Pull Tab	White	501	1000
280922	8VFDA	AutoLok Single Pull	Black	580	100
280920	8VFDA	AutoLok Single Pull	White	501	100

YKK® and VISLON® are registered trademarks of YKK Corporation in Japan and other countries/regions.



280910

## YKK® VISLON® 8VFUV No. 8 Chain

Full rolls only.

ITEM #	STYLE #	COLOR	COLOR #	STANDARD PACKAGE	WIDTH
280910	8VFUV	Black	580	137 yds.	5/8 in.
280900	8VFUV	White	501	137 yds.	5/8 in.

YKK® and VISLON® are registered trademarks of YKK Corporation in Japan and other countries/regions.



279836

## YKK® ZIPLON® Sliders – Metal

ITEM #	STYLE #	DESCRIPTION	COLOR	COLOR #	FINISH	STANDARD PACKAGE
279836	5CND A5	AutoLok Single Pull Tab	Black	580		100
279835	5CND A5	AutoLok Single Pull Tab	White	501		100
280512	10CFDA3	AutoLok Single Pull	Black	580		100
280511	10CFDA3	AutoLok Single Pull	White	501		100
280341	8CFDWL	Non-Locking Long Double Pull Tab	Black	580		100
279846	5CNDW3L	Non-Locking Long Double Pull Tab	Black	580		100
280368	10CFDWL	Non-Locking Long Double Pull Tab	Black	580		100
280339	10CFDWL	Non-Locking Long Double Pull Tab	White	501		100
279845	5CNDW3L	Non-Locking Long Double Pull Tab	White	501		100
280515	8CNDFL	Non-Locking Long Single Pull Tab			Nickel Plated	100
280317	4.5CNDFL	Non-Locking Long Single Pull Tab			Nickel Plated	100
280338	10CFDFL	Non-Locking Long Single Pull Tab			Nickel Plated	100
279842	5CNDFL	Non-Locking Long Single Pull Tab			Nickel Plated	100
280514	8CNDFL	Non-Locking Long Single Pull Tab	Black	580		100
280348	10CFDFL	Non-Locking Long Single Pull Tab	Black	580		100
280319	4.5CNDFL	Non-Locking Long Single Pull Tab	Black	580		100
279841	5CNDFL	Non-Locking Long Single Pull Tab	Black	580		100
280349	10CFDFL	Non-Locking Long Single Pull Tab	White	501		100
279834	10CFDFL	Non-Locking Long Single Pull Tab	White		Powder Coated	100
280510	8CFFDFL	Non-Locking Long Single Pull Tab	White	501		100
279840	5CNDFL	Non-Locking Long Single Pull Tab	White	501		100

YKK® and ZIPLON® are registered trademarks of YKK Corporation in Japan and other countries/regions.



### YKK® ZIPLON® Chain (CF)

Full rolls only.

ITEM #	STYLE #	COLOR	COLOR #	STANDARD PACKAGE	WIDTH
280509	8CF	Beige	573	165 yds.	3/4 in.
280316	10CF	Black	580	109 yds.	3/4 in.
280291	4.5CF	Black	580	218 yds.	5/8 in.
279831	5CF	Black	580	218 yds.	5/8 in.
280505	8CF	Black	580	165 yds.	3/4 in.
280591	8CF	Black	580	165 yds.	5/8 in.
280502	9CF	Black	580	109 yds.	3/4 in.
280315	10CF	White	501	109 yds.	3/4 in.
280290	4.5CF	White	501	218 yds.	5/8 in.
279830	5CF	White	501	218 yds.	5/8 in.
280504	8CF	White	501	165 yds.	3/4 in.

YKK® and ZIPLON® are registered trademarks of YKK Corporation in Japan and other countries/regions.



### YKK® Pull Cord

ITEM #	STYLE #	COLOR	CORD SIZE	LENGTH
586090	LCWE	Black	1/10 in.	4.5 in.

YKK® is a registered trademark of YKK Corporation in Japan and other countries/regions.



### YKK® VISLON® Bottom Stops

ITEM #	STYLE #	COLOR	COLOR #	STANDARD PACKAGE
280492	10 VF	Black	580	100
295681	5 VS	Black	580	100
280550	10 VF	White	501	100
295680	5 VS	White	501	100

YKK® and Vislon® are registered trademarks of YKK Corporation.



### YKK® VISLON® Top Stops

ITEM #	STYLE #	COLOR	COLOR #	STANDARD PACKAGE
280493	10 VF	Black	580	100
280547	10 VF	White	501	100
295682	5 VS	White	501	100
295683	5 VS	Black	580	100

YKK® and VISLON® are registered trademarks of YKK Corporation in Japan and other countries/regions.



### YKK® SNAPCAP®

This revolutionary zipper top-stop is ready for assembling. Available in black and white.

ITEM #	COLOR	COLOR #	STANDARD PACKAGE
280490	Black	580	2000
280491	White	501	2000

YKK® and SNAPCAP® are registered trademarks of YKK Corporation in Japan and other countries/regions.





280974

### Top Stop No. 10

No. 10 Zipper Top Stop is placed over a tooth on each side of the zipper and bent in place with pliers. It eliminates the need to cut the zipper and chain with a hot knife or sew it down to form a stop. Providing added flexibility, the Stainless Steel Zipper Top Stop can be moved if needed.

ITEM #	STYLE #	MATERIAL	STANDARD PACKAGE
280974	89001	Stainless Steel	1000



255251

### Zipper Stop Application Tool

Convenient tool designed specifically to apply Zipper Stop to zipper chain, helping eliminate slippage and rotation of the stop. Features a special groove that firmly holds zipper stop in place.

ITEM #	STYLE #	STANDARD PACKAGE
255251	1012	1



255252

### Zipper Jig

Save time during zipper installations with the Zipper Jig. This handy tool holds YKK® zipper sliders from #2.5 to #10, allowing you to easily install sliders. The lower clamp securely holds the Zipper Jig to a counter, while the upper clamp is used to lock the jig rod in any direction. It even allows you to put a zipper on backwards. The Zipper Jig is 5-1/2 inch x 4-3/4 inch, making it ideal for workstations.

To use simply place the slider upside-down and facing forward into the slot on the rod. Open the zipper one or two inches and hold face down. Feed both sides evenly into the slider held by the rod, coming in at a 45 degree angle. Pull forward and it's done!

ITEM #	STYLE #	STANDARD PACKAGE
255252	1014	1



YKK® is a registered trademark of YKK Corporation.

### YKK® VISLON® UV VFUV No. 10 Separating Zipper Automatic Lock

Engineered especially for marine applications. All element and slider materials are scientifically designed to resist damage from sunlight as well as corrosion. Teeth injection-molded from DuPont™ Delrin®.

UV-resistant acetal resin attached to a strong cord and tape, which ensure the sliders stay on track. The Delrin polymer reduces the effect of ultraviolet radiation, significantly increasing its useful life.

ITEM #	STYLE #	DESCRIPTION	COLOR	COLOR #	LENGTH	STANDARD PACKAGE
279872	VFUV	Single Pull Metal Slider	Black	32483	108 in.	10
279868	VFUV	Double Pull Metal Slider	Black	41578	144 in.	10
279866	VFUV	Double Pull Nylon Slider	Black	32241	78 in.	10

YKK® and VISLON® are registered trademarks of YKK Corporation in Japan and other countries/regions. Dupont™ is a trademark of E.I. Dupont de Nemours and Company, Inc. Delrin® is a registered trademark of E.I. Dupont de Nemours and Company, Inc.



279893

### YKK® VISLON® UV VFUV No. 8 Separating Zipper Non-Locking – Double Pull Metal Slider

Engineered especially for marine applications. All element and slider materials are scientifically designed to resist damage from sunlight as well as corrosion. Teeth injection-molded from DuPont™ Delrin®.

UV-resistant acetal resin attached to a strong cord and tape, which ensure the sliders stay on track. The Delrin polymer reduces the effect of ultraviolet radiation, significantly increasing its useful life.

ITEM #	STYLE #	COLOR	COLOR #	LENGTH	STANDARD PACKAGE
279890	VFUV	Black	32238	18 in.	10
279891	VFUV	Black	32238	24 in.	10
279893	VFUV	Black	32238	36 in.	10
279895	VFUV	Black	32238	42 in.	10
279896	VFUV	Black	32238	48 in.	10
279897	VFUV	Black	32238	54 in.	10
279898	VFUV	Black	32238	60 in.	10
279900	VFUV	Black	32238	72 in.	10
279875	VFUV	White	32438	18 in.	10
279876	VFUV	White	32438	24 in.	10
279878	VFUV	White	32438	36 in.	10
279879	VFUV	White	32438	42 in.	10
279880	VFUV	White	32438	48 in.	10
279881	VFUV	White	32438	54 in.	10
279882	VFUV	White	32438	60 in.	10
279884	VFUV	White	32438	72 in.	10

YKK® and VISLON® are registered trademarks of YKK Corporation in Japan and other countries/regions. DuPont™ is a trademark of E.I. DuPont de Nemours and Company, Inc. Delrin® is a registered trademark of E.I. DuPont de Nemours and Company, Inc.



296215

### YKK® VISLON® VFOL105W No. 10 Separating Zipper Non-Locking – Double Pull Metal Slider

YKK® No. 10 VISLON® Separating Zippers are extremely strong and lightweight and differ from conventional zippers, because the “teeth” are made from Delrin® and the tape is polyester. Because of the unique properties of the Vislon Zipper, it has a wide variety of industrial, consumer and military applications where environmental conditions reduce the effectiveness of metal zippers.

The VISLON Zipper is corrosion resistant. The zipper is self-lubricating and operates smoothly despite mud, sand, etc. The color is an integral part of the molding material, creating a finish that does not rub off, peel or chip.

ITEM #	STYLE #	COLOR	COLOR #	LENGTH	STANDARD PACKAGE
296215	VFOL105W	Black	580	60 in.	10
296234	VFOL105W	Onion	801	72 in.	10

YKK® and VISLON® are registered trademarks of YKK Corporation in Japan and other countries/regions. Delrin® is a registered trademark of E.I. DuPont de Nemours and Company, Inc.



280596

### YKK® VISLON® VFUL106 TA No. 10 Separating Zipper With Automatic Lock – Short Single Pull Plastic Slider

YKK® No. 10 VISLON® Separating Zippers are extremely strong and lightweight and differ from conventional zippers, because the “teeth” are made from Delrin® and the tape is polyester. Because of the unique properties of the Vislon Zipper, it has a wide variety of industrial, consumer and military applications where environmental conditions reduce the effectiveness of metal zippers.

The VISLON Zipper is corrosion resistant. The zipper is self-lubricating and operates smoothly despite mud, sand, etc. The color is an integral part of the molding material, creating a finish that does not rub off, peel or chip.

ITEM #	STYLE #	COLOR	COLOR #	LENGTH	STANDARD PACKAGE
280617	VFUL106 TA	Black	580	108 in.	10
280619	VFUL106 TA	Black	580	120 in.	10
280596	VFUL106 TA	Black	580	24 in.	10
280598	VFUL106 TA	Black	580	26 in.	10
280604	VFUL106 TA	Black	580	48 in.	10
280606	VFUL106 TA	Black	580	60 in.	10
280608	VFUL106 TA	Black	580	72 in.	10
280612	VFUL106 TA	Black	580	96 in.	10
280548	VFUL106 TA	White	501	120 in.	10
280520	VFUL106 TA	White	501	24 in.	10
280522	VFUL106 TA	White	501	36 in.	10
280528	VFUL106 TA	White	501	48 in.	10
280532	VFUL106 TA	White	501	60 in.	10
280536	VFUL106 TA	White	501	72 in.	10
280538	VFUL106 TA	White	501	84 in.	10
280540	VFUL106 TA	White	501	96 in.	10

YKK® and VISLON® are registered trademarks of YKK Corporation in Japan and other countries/regions. Delrin® is a registered trademark of E.I. DuPont de Nemours and Company, Inc.



280243

### YKK® VISLON® VFULVOL-107 DX E No. 10 Separating Zipper With Automatic Lock – Short Double Pull Metal Slider

YKK® No. 10 VISLON® Separating Zippers are extremely strong and lightweight and differ from conventional zippers, because the “teeth” are made from Delrin® and the tape is polyester. Because of the unique properties of the Vislon Zipper, it has a wide variety of industrial, consumer and military applications where environmental conditions reduce the effectiveness of metal zippers.

The VISLON Zipper is corrosion resistant. The zipper is self-lubricating and operates smoothly despite mud, sand, etc. The color is an integral part of the molding material, creating a finish that does not rub off, peel or chip.

ITEM #	STYLE #	COLOR	COLOR #	LENGTH	STANDARD PACKAGE
280243	VFULVOL-107 DX E	Natural	572	96 in.	10

YKK® and VISLON® are registered trademarks of YKK Corporation in Japan and other countries/regions. Delrin® is a registered trademark of E.I. DuPont de Nemours and Company, Inc.



296180

## Zipper – YKK® VISLON® VFUVOL-106 DA E No. 10 Separating Zipper With Automatic Lock – Short Single Pull Metal Slider

YKK® No. 10 VISLON® Separating Zippers are extremely strong and lightweight and differ from conventional zippers, because the “teeth” are made from Delrin® and the tape is polyester. Because of the unique properties of the Vislon Zipper, it has a wide variety of industrial, consumer and military applications where environmental conditions reduce the effectiveness of metal zippers.

The VISLON Zipper is corrosion resistant. The zipper is self-lubricating and operates smoothly despite mud, sand, etc. The color is an integral part of the molding material, creating a finish that does not rub off, peel or chip.

ITEM #	STYLE #	COLOR	COLOR #	LENGTH	STANDARD PACKAGE
296196	VFUVOL-106 DA E	Black	580	110 in.	10
296183	VFUVOL-106 DA E	Black	580	12 in.	10
296198	VFUVOL-106 DA E	Black	580	120 in.	10
296199	VFUVOL-106 DA E	Black	580	144 in.	10
296180	VFUVOL-106 DA E	Black	580	24 in.	10
296182	VFUVOL-106 DA E	Black	580	36 in.	10
296184	VFUVOL-106 DA E	Black	580	42 in.	10
296185	VFUVOL-106 DA E	Black	580	48 in.	10
296186	VFUVOL-106 DA E	Black	580	54 in.	10
296187	VFUVOL-106 DA E	Black	580	60 in.	10
296190	VFUVOL-106 DA E	Black	580	72 in.	10
296192	VFUVOL-106 DA E	Black	580	84 in.	10
296194	VFUVOL-106 DA E	Black	580	96 in.	10
296178	VFUVOL-106 DA E	White	501	120 in.	10
296179	VFUVOL-106 DA E	White	501	144 in.	10
296156	VFUVOL-106 DA E	White	501	18 in.	10
296160	VFUVOL-106 DA E	White	501	24 in.	10
296162	VFUVOL-106 DA E	White	501	36 in.	10
296165	VFUVOL-106 DA E	White	501	48 in.	10
296167	VFUVOL-106 DA E	White	501	60 in.	10
296170	VFUVOL-106 DA E	White	501	72 in.	10
296172	VFUVOL-106 DA E	White	501	84 in.	10
296174	VFUVOL-106 DA E	White	501	96 in.	10

YKK® and VISLON® are registered trademarks of YKK Corporation in Japan and other countries/regions. Delrin® is a registered trademark of E.I. DuPont de Nemours and Company, Inc.



296119

## YKK® VISLON® VFUVOL-107 DX E No. 10 Separating Zipper With Automatic Lock – Short Double Pull Metal Slider

YKK® No. 10 VISLON® Separating Zippers are extremely strong and lightweight and differ from conventional zippers, because the “teeth” are made from Delrin® and the tape is polyester. Because of the unique properties of the Vislon Zipper, it has a wide variety of industrial, consumer and military applications where environmental conditions reduce the effectiveness of metal zippers.

The VISLON Zipper is corrosion resistant. The zipper is self-lubricating and operates smoothly despite mud, sand, etc. The color is an integral part of the molding material, creating a finish that does not rub off, peel or chip.

ITEM #	STYLE #	COLOR	COLOR #	LENGTH	STANDARD PACKAGE
296145	VFUVOL-107 DX E	Black	580	100 in.	10
296147	VFUVOL-107 DX E	Black	580	108 in.	10
296149	VFUVOL-107 DX E	Black	580	110 in.	10
296118	VFUVOL-107 DX E	Black	580	12 in.	10
296151	VFUVOL-107 DX E	Black	580	120 in.	10
296116	VFUVOL-107 DX E	Black	580	16 in.	10
296120	VFUVOL-107 DX E	Black	580	18 in.	10
296119	VFUVOL-107 DX E	Black	580	20 in.	10
296122	VFUVOL-107 DX E	Black	580	24 in.	10
296154	VFUVOL-107 DX E	Black	580	240 in.	10
296124	VFUVOL-107 DX E	Black	580	30 in.	10
296125	VFUVOL-107 DX E	Black	580	34 in.	10
296126	VFUVOL-107 DX E	Black	580	36 in.	10
296128	VFUVOL-107 DX E	Black	580	40 in.	10
296129	VFUVOL-107 DX E	Black	580	42 in.	10
296134	VFUVOL-107 DX E	Black	580	46 in.	10
296131	VFUVOL-107 DX E	Black	580	48 in.	10
296133	VFUVOL-107 DX E	Black	580	54 in.	10
296135	VFUVOL-107 DX E	Black	580	60 in.	10
296137	VFUVOL-107 DX E	Black	580	66 in.	10
296142	VFUVOL-107 DX E	Black	580	68 in.	10
296139	VFUVOL-107 DX E	Black	580	72 in.	10
296144	VFUVOL-107 DX E	Black	580	76 in.	10
296146	VFUVOL-107 DX E	Black	580	80 in.	10
296141	VFUVOL-107 DX E	Black	580	84 in.	10
296148	VFUVOL-107 DX E	Black	580	90 in.	10
296143	VFUVOL-107 DX E	Black	580	96 in.	10
296265	VFUVOL-107 DX E	Light Beige	573	120 in.	10
296270	VFUVOL-107 DX E	Light Beige	573	144 in.	10
296233	VFUVOL-107 DX E	Light Beige	573	18 in.	10
296236	VFUVOL-107 DX E	Light Beige	573	24 in.	10
296237	VFUVOL-107 DX E	Light Beige	573	30 in.	10
296239	VFUVOL-107 DX E	Light Beige	573	36 in.	10
296242	VFUVOL-107 DX E	Light Beige	573	42 in.	10
296245	VFUVOL-107 DX E	Light Beige	573	48 in.	10
296248	VFUVOL-107 DX E	Light Beige	573	54 in.	10
296251	VFUVOL-107 DX E	Light Beige	573	60 in.	10
296254	VFUVOL-107 DX E	Light Beige	573	72 in.	10
296257	VFUVOL-107 DX E	Light Beige	573	84 in.	10
296260	VFUVOL-107 DX E	Light Beige	573	96 in.	10
296089	VFUVOL-107 DX E	White	501	100 in.	10
296091	VFUVOL-107 DX E	White	501	108 in.	10
296092	VFUVOL-107 DX E	White	501	110 in.	10

ITEM #	STYLE #	COLOR	COLOR #	LENGTH	STANDARD PACKAGE
296094	VFUVOL-107 DX E	White	501	120 in.	10
296098	VFUVOL-107 DX E	White	501	144 in.	10
296099	VFUVOL-107 DX E	White	501	154 in.	10
296061	VFUVOL-107 DX E	White	501	18 in.	10
296063	VFUVOL-107 DX E	White	501	24 in.	10
296105	VFUVOL-107 DX E	White	501	240 in.	10
296065	VFUVOL-107 DX E	White	501	30 in.	10
296068	VFUVOL-107 DX E	White	501	36 in.	10
296069	VFUVOL-107 DX E	White	501	40 in.	10
296070	VFUVOL-107 DX E	White	501	42 in.	10
296072	VFUVOL-107 DX E	White	501	48 in.	10
296074	VFUVOL-107 DX E	White	501	54 in.	10
296076	VFUVOL-107 DX E	White	501	60 in.	10
296080	VFUVOL-107 DX E	White	501	66 in.	10
296082	VFUVOL-107 DX E	White	501	72 in.	10
296084	VFUVOL-107 DX E	White	501	78 in.	10
296086	VFUVOL-107 DX E	White	501	84 in.	10
296087	VFUVOL-107 DX E	White	501	90 in.	10
296088	VFUVOL-107 DX E	White	501	96 in.	10

YKK® and VISLON® are registered trademarks of YKK Corporation in Japan and other countries/regions. Delrin® is a registered trademark of E.I. DuPont de Nemours and Company, Inc.

## YKK® VISLON® VFUVOL-86 DA E No. 8 Separating Zipper With Automatic Lock – Short Single Pull Metal Slider

YKK® No. 8 VISLON® Separating Zippers are extremely strong and lightweight and differ from conventional zippers, because the “teeth” are made from Delrin® and the tape is polyester. Because of the unique properties of the Vislon Zipper, it has a wide variety of industrial, consumer and military applications where environmental conditions reduce the effectiveness of metal zippers.

The VISLON Zipper is corrosion resistant. The zipper is self-lubricating and operates smoothly despite mud, sand, etc. The color is an integral part of the molding material, creating a finish that does not rub off, peel or chip.

ITEM #	STYLE #	COLOR	COLOR #	LENGTH	STANDARD PACKAGE
280690	VFUVOL-86 DA E	Black	580	36 in.	10
280692	VFUVOL-86 DA E	Black	580	48 in.	10
280681	VFUVOL-86 DA E	White	501	42 in.	10
280682	VFUVOL-86 DA E	White	501	48 in.	10

YKK® and VISLON® are registered trademarks of YKK Corporation in Japan and other countries/regions. Delrin® is a registered trademark of E.I. DuPont de Nemours and Company, Inc.



280758

## YKK® VISLON® VFUVOL-87 DXL E No. 8 Separating Zipper With Automatic Lock – Long Double Pull Metal Slider

YKK® No. 8 VISLON® Separating Zippers are extremely strong and lightweight and differ from conventional zippers, because the “teeth” are made from Delrin® and the tape is polyester. Because of the unique properties of the Vislon Zipper, it has a wide variety of industrial, consumer and military applications where environmental conditions reduce the effectiveness of metal zippers.

The VISLON Zipper is corrosion resistant. The zipper is self-lubricating and operates smoothly despite mud, sand, etc. The color is an integral part of the molding material, creating a finish that does not rub off, peel or chip.

ITEM #	STYLE #	COLOR	COLOR #	LENGTH	STANDARD PACKAGE
280770	VFUVOL-87 DXL E	Black	580	110 in.	10
280772	VFUVOL-87 DXL E	Black	580	120 in.	10
280740	VFUVOL-87 DXL E	Black	580	18 in.	10
280741	VFUVOL-87 DXL E	Black	580	22 in.	10
280742	VFUVOL-87 DXL E	Black	580	24 in.	10
280744	VFUVOL-87 DXL E	Black	580	30 in.	10
280746	VFUVOL-87 DXL E	Black	580	36 in.	10
280748	VFUVOL-87 DXL E	Black	580	40 in.	10
280750	VFUVOL-87 DXL E	Black	580	42 in.	10
280752	VFUVOL-87 DXL E	Black	580	48 in.	10
280754	VFUVOL-87 DXL E	Black	580	54 in.	10
280756	VFUVOL-87 DXL E	Black	580	60 in.	10
280758	VFUVOL-87 DXL E	Black	580	66 in.	10
280760	VFUVOL-87 DXL E	Black	580	72 in.	10
280762	VFUVOL-87 DXL E	Black	580	78 in.	10
280764	VFUVOL-87 DXL E	Black	580	84 in.	10
280766	VFUVOL-87 DXL E	Black	580	96 in.	10
280810	VFUVOL-87 DXL E	Gray	576	110 in.	10
280787	VFUVOL-87 DXL E	Gray	576	38 in.	10
280792	VFUVOL-87 DXL E	Gray	576	48 in.	10
280796	VFUVOL-87 DXL E	Gray	576	60 in.	10
280800	VFUVOL-87 DXL E	Gray	576	72 in.	10
280804	VFUVOL-87 DXL E	Gray	576	84 in.	10
280806	VFUVOL-87 DXL E	Gray	576	96 in.	10
280730	VFUVOL-87 DXL E	White	501	110 in.	10
280732	VFUVOL-87 DXL E	White	501	120 in.	10
280700	VFUVOL-87 DXL E	White	501	18 in.	10
280702	VFUVOL-87 DXL E	White	501	24 in.	10
280704	VFUVOL-87 DXL E	White	501	30 in.	10
280706	VFUVOL-87 DXL E	White	501	36 in.	10
280707	VFUVOL-87 DXL E	White	501	38 in.	10
280710	VFUVOL-87 DXL E	White	501	42 in.	10
280712	VFUVOL-87 DXL E	White	501	48 in.	10
280714	VFUVOL-87 DXL E	White	501	54 in.	10
280717	VFUVOL-87 DXL E	White	501	56 in.	10
280716	VFUVOL-87 DXL E	White	501	60 in.	10
280720	VFUVOL-87 DXL E	White	501	72 in.	10
280722	VFUVOL-87 DXL E	White	501	78 in.	10
280724	VFUVOL-87 DXL E	White	501	84 in.	10
280726	VFUVOL-87 DXL E	White	501	96 in.	10

YKK® and VISLON® are registered trademarks of YKK Corporation in Japan and other countries/regions. Delrin® is a registered trademark of E.I. DuPont de Nemours and Company, Inc.



280446

## YKK® VISLON® VFUVOL107TX No. 10 Separating Zipper With Automatic Lock – Double-Pull Plastic Slider

YKK® No. 10 VISLON® Separating Zippers are extremely strong and lightweight and differ from conventional zippers, because the “teeth” are made from Delrin® and the tape is polyester. Because of the unique properties of the Vislon Zipper, it has a wide variety of industrial, consumer and military applications where environmental conditions reduce the effectiveness of metal zippers.

The VISLON Zipper is corrosion resistant. The zipper is self-lubricating and operates smoothly despite mud, sand, etc. The color is an integral part of the molding material, creating a finish that does not rub off, peel or chip.

ITEM #	STYLE #	COLOR	COLOR #	LENGTH	STANDARD PACKAGE
280442	VFUVOL107TX	Black	580	100 in.	10
280444	VFUVOL107TX	Black	580	108 in.	10
280446	VFUVOL107TX	Black	580	110 in.	10
280448	VFUVOL107TX	Black	580	120 in.	10
280418	VFUVOL107TX	Black	580	18 in.	10
280420	VFUVOL107TX	Black	580	24 in.	10
280421	VFUVOL107TX	Black	580	30 in.	10
280422	VFUVOL107TX	Black	580	36 in.	10
280424	VFUVOL107TX	Black	580	40 in.	10
280426	VFUVOL107TX	Black	580	42 in.	10
280428	VFUVOL107TX	Black	580	48 in.	10
280430	VFUVOL107TX	Black	580	54 in.	10
280432	VFUVOL107TX	Black	580	60 in.	10
280434	VFUVOL107TX	Black	580	66 in.	10
280436	VFUVOL107TX	Black	580	72 in.	10
280438	VFUVOL107TX	Black	580	84 in.	10
280440	VFUVOL107TX	Black	580	96 in.	10
280242	VFUVOL107TX	White	501	100 in.	10
280244	VFUVOL107TX	White	501	108 in.	10
280246	VFUVOL107TX	White	501	110 in.	10
280248	VFUVOL107TX	White	501	120 in.	10
280218	VFUVOL107TX	White	501	18 in.	10
280220	VFUVOL107TX	White	501	24 in.	10
280221	VFUVOL107TX	White	501	30 in.	10
280222	VFUVOL107TX	White	501	36 in.	10
280224	VFUVOL107TX	White	501	40 in.	10
280226	VFUVOL107TX	White	501	42 in.	10
280228	VFUVOL107TX	White	501	48 in.	10
280230	VFUVOL107TX	White	501	54 in.	10
280232	VFUVOL107TX	White	501	60 in.	10
280234	VFUVOL107TX	White	501	66 in.	10
280236	VFUVOL107TX	White	501	72 in.	10
280237	VFUVOL107TX	White	501	78 in.	10
280238	VFUVOL107TX	White	501	84 in.	10
280240	VFUVOL107TX	White	501	96 in.	10

YKK® and VISLON® are registered trademarks of YKK Corporation in Japan and other countries/regions. Delrin® is a registered trademark of E.I. DuPont de Nemours and Company, Inc.





295685

## YKK® VISLON® VSOL56 No. 5 Separating Zipper With Automatic Lock – Short Single Pull Metal Slider

YKK® No. 5 VISLON® Separating Zippers are extremely strong and lightweight and differ from conventional zippers, because the “teeth” are made from Delrin® and the tape is polyester. Because of the unique properties of the Vislon Zipper, it has a wide variety of industrial, consumer and military applications where environmental conditions reduce the effectiveness of metal zippers.

The VISLON Zipper is corrosion resistant. The zipper is self-lubricating and operates smoothly despite mud, sand, etc. The color is an integral part of the molding material, creating a finish that does not rub off, peel or chip.

ITEM #	STYLE #	COLOR	COLOR #	LENGTH	STANDARD PACKAGE
295728	VSOL56	Black	580	108 in.	10
295733	VSOL56	Black	580	110 in.	10
295711	VSOL56	Black	580	12 in.	10
295730	VSOL56	Black	580	144 in.	10
295713	VSOL56	Black	580	24 in.	10
295714	VSOL56	Black	580	30 in.	10
295715	VSOL56	Black	580	36 in.	10
295716	VSOL56	Black	580	42 in.	10
295717	VSOL56	Black	580	44 in.	10
295745	VSOL56	Black	580	46 in.	10
295718	VSOL56	Black	580	48 in.	10
295685	VSOL56	Black	580	52 in.	10
295719	VSOL56	Black	580	54 in.	10
295720	VSOL56	Black	580	60 in.	10
295722	VSOL56	Black	580	72 in.	10
295724	VSOL56	Black	580	84 in.	10
295726	VSOL56	Black	580	96 in.	10
295707	VSOL56	White	501	108 in.	10
295690	VSOL56	White	501	12 in.	10
295709	VSOL56	White	501	144 in.	10
295692	VSOL56	White	501	24 in.	10
295693	VSOL56	White	501	30 in.	10
295694	VSOL56	White	501	36 in.	10
295695	VSOL56	White	501	42 in.	10
295687	VSOL56	White	501	46 in.	10
295697	VSOL56	White	501	48 in.	10
295698	VSOL56	White	501	54 in.	10
295699	VSOL56	White	501	60 in.	10
295701	VSOL56	White	501	72 in.	10
295703	VSOL56	White	501	84 in.	10
295705	VSOL56	White	501	96 in.	10

YKK® and VISLON® are registered trademarks of YKK Corporation in Japan and other countries/regions. Delrin® is a registered trademark of E.I. DuPont de Nemours and Company, Inc.

## YKK® VISLON® VFUVOL-86 DA E 5/8 No. 8 Separating Zipper With Automatic Lock – Single Pull Metal Slider

ITEM #	STYLE #	COLOR	LENGTH	STANDARD PACKAGE
280085	VFUVOL86 DA E 5/8	Black	60 in.	10

YKK® and VISLON® are registered trademarks of YKK Corporation in Japan and other countries/regions.

## YKK® ZIPLON® CFOR-106 DA E No. 10 Separating Zipper with Automatic Lock – Single Pull Metal Slider

ITEM #	STYLE #	COLOR	COLOR #	LENGTH	STANDARD PACKAGE
295779	CFOR-106 DA E	Black	580	108 in.	10
295767	CFOR-106 DA E	Black	580	36 in.	10
295769	CFOR-106 DA E	Black	580	48 in.	10
295771	CFOR-106 DA E	Black	580	60 in.	10
295773	CFOR-106 DA E	Black	580	72 in.	10
295775	CFOR-106 DA E	Black	580	84 in.	10
295777	CFOR-106 DA E	Black	580	96 in.	10
295778	CFOR-106 DA E	White	501	108 in.	10
295766	CFOR-106 DA E	White	501	36 in.	10
295768	CFOR-106 DA E	White	501	48 in.	10
295770	CFOR-106 DA E	White	501	60 in.	10
295772	CFOR-106 DA E	White	501	72 in.	10
295774	CFOR-106 DA E	White	501	84 in.	10
295776	CFOR-106 DA E	White	501	96 in.	10

YKK® and ZIPLON® are registered trademarks of YKK Corporation in Japan and other countries/regions. .

## YKK® ZIPLON® CFOR-105 DWL No. 10 Separating Zipper Non-Locking – Double Pull Metal Slider

ITEM #	STYLE #	COLOR	COLOR #	LENGTH	STANDARD PACKAGE
295973	CFOR-105 DWL E	Black	580	108 in.	10
295961	CFOR-105 DWL E	Black	580	36 in.	10
295963	CFOR-105 DWL E	Black	580	48 in.	10
295965	CFOR-105 DWL E	Black	580	60 in.	10
295967	CFOR-105 DWL E	Black	580	72 in.	10
295969	CFOR-105 DWL E	Black	580	84 in.	10
295971	CFOR-105 DWL E	Black	580	96 in.	10
295972	CFOR-105 DWL E	White	501	108 in.	10
295960	CFOR-105 DWL E	White	501	36 in.	10
295962	CFOR-105 DWL E	White	501	48 in.	10
295964	CFOR-105 DWL E	White	501	60 in.	10
295966	CFOR-105 DWL E	White	501	72 in.	10
295968	CFOR-105 DWL E	White	501	84 in.	10
295970	CFOR-105 DWL E	White	501	96 in.	10

YKK® and ZIPLON® are registered trademarks of YKK Corporation in Japan and other countries/regions.



279813

### YKK® ZIPPY COOL®

This two-part product includes a cleaner and lubricant. It is specially formulated for use on all types of metal and plastic zippers. The patented push/pull dispenser brush removes harmful dirt, sand and salt. After rinsing, it leaves a protective film on the zipper. Lubrication on the zipper will not flake or cause jams, even in extreme temperatures. It contains no silicone or paraffin.

ITEM #	DESCRIPTION	STANDARD PACKAGE
279813	Zippy Cleaner and Lubricant	1

YKK® and ZIPPY COOL® are registered trademarks of YKK Corporation in Japan and other countries/regions.



279800

### Zipzap Lubricants

Extends the life of the zipper. Cleans and lubricates plastic, nylon, and metal zippers, without collecting dirt, sand or organic residue. The wax provides smooth zipper teeth operation, and the fluid cleans and lubricates the zipper action.

ITEM #	DESCRIPTION	PUT UP	STANDARD PACKAGE
279800	Fluid	2 oz.	1



202475

### Awl – Automatic

The No. 413 Automatic Awl is used for sewing leather and canvas. This tool carries a spool of thread on the handle and includes an extra curved needle and wrench.

ITEM #	STYLE #	DESCRIPTION	STANDARD PACKAGE
202475	413	Automatic Awl	1
202476	413N-5	Automatic Awl Straight Needle	1
202479	413N-8	Automatic Awl Straight Needle	1



202469

### Awl – Heavy-Duty Scratch No. 4

Scratch Awl comes with a plastic handle and quality steel blade. It's used to mark surfaces for cutting and fabrication and for holding down fabric while working.

ITEM #	STYLE #	BLADE SIZE	STANDARD PACKAGE
202469	1	2-1/2 in.	1
202470	2	3-1/2 in.	1



248232

### Binder

This inexpensive universal binder attachment is ideal for use with 3/4 inch and 1 inch acrylic bindings. It comes with a universal plate assembly so it fits almost any commercial sewing machine. The opening is wide enough so that two edge turn bias cut binding slides smoothly and effortlessly through the attachment.

ITEM #	STYLE #	DESCRIPTION	SIZE	STANDARD PACKAGE	TYPE
248231	100LS	Universal Binder with Plate	3/4 in.	1	Plain
248232	100LS	Universal Binder with Plate	1 in.	1	Plain



275441

### DrillSteady Drill For Stainless Tubing

DrillSteady uses 9/64 inch drill bit for No. 8 screw or fastener. Unique design allows drilling on installed frames, corners, or anywhere.

ITEM #	STYLE #	STANDARD PACKAGE
275441	3587	1



216134

### DOT® Snapmaster M840

The M840 hand press incorporates many features of bench and foot presses in a portable and cost-effective tool. Ideal for installing DOT® Durable™, Pull-The-Dot®, Lift-The-Dot® and curtain fasteners. Replacement parts available.



216133

ITEM #	STYLE #	DESCRIPTION	FOR USE WITH	STANDARD PACKAGE
216116	4201	Clinch Plate	16506 DOT Lift-The-Dot Clinch Plate	1
216115	4101	Cutting Punch	16205 DOT Lift-The-Dot Socket	1
275114	89-9054	Die Tool		1
275118	89-9064	Die Tool		1
275113	89-9053	Punch Tool		1
275117	89-9063	Punch Tool		1
216136	4405	Setting Die Cap	18100 DOT Pull-The-Dot Button	1
216134	4203	Setting Die	78403 Curtain Fastener Eyelet	1
216118	4401	Setting Die	16506 DOT Lift-The-Dot Clinch Plate	1
216125	4402	Setting Die	78505 Curtain Fastener Washer	1
216130	4403	Setting Die	10127/10128 DOT Durable Button	1
216132	4404	Setting Die	10412 DOT Durable Eyelet	1
216138	4701	Setting Die	00800 #1 Grommet	1
216133	4103	Setting Punch	78403 Curtain Fastener Eyelet	1
216117	4301	Setting Punch	16205 DOT Lift-The-Dot Socket	1



216110

ITEM #	STYLE #	DESCRIPTION	FOR USE WITH	STANDARD PACKAGE
216124	4302	Setting Punch	78403 Curtain Fastener Eyelet	1
216129	4303	Setting Punch	10224 DOT Durable Socket	1
216131	4304	Setting Punch	10370 DOT Durable Stud	1
216135	4305	Setting Punch	18201 DOT Pull-The-Dot Socket	1
216137	4700	Setting Punch	00900 #1 Grommet	1
216110		Snapmaster Hand Press M840		1

DOT®, Lift-The-Dot® and Pull-The-Dot® are registered trademarks of Scovill, Inc. Durable™ is a trademark of Scovill, Inc.



275458

## Hand Tools For DOT® Common Sense® / Lift-The-Dot® Fasteners

Trivantage® is pleased to introduce our new DOT Common Sense / Lift-The-Dot hand punch, designed and built in the USA for our industry professionals. The new hand punch includes cutting dies for both the Common Sense and Lift-The-Dot fasteners.

Dies can be changed with Allen wrenches (included) and can be sharpened as needed. A molded, hard case is included.

This new hand punch is made of billet aluminum and has an ergonomically designed handle. The cutting dies are machined from 4140 hardened steel making them extremely strong and durable.

The hand punch includes a two-year manufacturer’s warranty.

<b>WARRANTY</b>	2-Year
-----------------	--------

ITEM #	STYLE #	DESCRIPTION	MATERIAL	STANDARD PACKAGE
275469	43322	Common Sense Die Assembly Replacement Center Punch Set Screw 6-32 x 0.125"	Stainless Steel	1
275468	43764	Common Sense Die Assembly Replacement Center Punch		1
275467	43320	Common Sense Die Assembly Replacement Punch Pin Set Screw		1
275466	43317	Common Sense Die Assembly Replacement Punch Pin Set		1
275465	43302	Common Sense Die Assembly		1
275460	43324	Common Sense Punch Assembly Replacement Compression Spring	Stainless Steel	1
275464	43326	Common Sense Punch Assembly Replacement Nut 8-32 Nylock	Stainless Steel	1
275461	43325	Common Sense Punch Assembly Replacement Nut Set 10-24 Nylock	Stainless Steel	1
275462		Common Sense Punch Assembly Replacement Screw Set 10-24 x 1-1/4"	Stainless Steel	1
275463	43323	Common Sense Punch Assembly Replacement Shoulder Bolt 8-32 x 1.188"	Stainless Steel	1
275459	43328	Common Sense Punch Assembly		1
275458	43000	Fastener Tool with Case		1
275474	43310	Hand Tool Set Replacement Hard Case		1
275473	43763	Lift-The-Dot Assembly Replacement Center Punch		1
275472	43320	Lift-The-Dot Die Assembly Replacement Punch Pin Screw Set		1
275471	43317	Lift-The-Dot Die Assembly Replacement Punch Pin Set		1
275470	43303	Lift-The-Dot Die Assembly		1

DOT®, Common Sense® and Lift-The-Dot® are registered trademarks of Scovill, Inc. Trivantage® is a registered trademark of Glen Raven, Inc.

## Hand Tools For DOT® Common Sense® Fasteners



216045



216047

ITEM #	STYLE #	DESCRIPTION	FOR	STANDARD PACKAGE
216045	C4-450	Common Sense Fastener Cutter	Use with cutting pad (#223449). For BS-78403 (No. 400) Eyelet.	1
223509	9578	Common Sense Machine Die		1
216047	QTTL	Common Sense Quick Turn Lock Driver	Use with 1/4 in. cordless screw driver or drill motor to install XX-78315, XX-78324, XX-78325, X8-78324, XB-78324 or XB-78325 turn buttons.	1
216048	QTTL-N	Common Sense Quick Turn Lock Driver	Use with 1/4 in. cordless screw driver or drill motor to install 404, 405, XB-404 or XB-405 turn buttons.	1
275584	89-9908	Screwdriver for Curtain Fastener		1

DOT® and Common Sense® are registered trademarks of Scovill, Inc.

## Hand Tools For DOT® Lift-The-Dot® Fasteners



275501



248161



275502

ITEM #	STYLE #	DESCRIPTION	FOR	STANDARD PACKAGE
275573	9940	Bench Die for XB-16358 Single Eyelet		1
275576	9432	Die for 90-16506		1
275481	16349	Die for BS-16349		1
275480	16501	Die for BS-16501		1
275501	9951E	Hand Cutting Punch for XX-16205/XX-16206	Use with cutting pad (#223449). For XX-16205 socket with chisel point.	1
275575	171	Hand Punch for BS-78332/BS-78333/BS-16349	Use with cutting pad (#223449).	1
248162	71-177	Lift-The-Dot Cutting Punch	For 90-16349, 91-78322 and 91-78333.	1
248161	L6-9951	Lift-The-Dot Hand Punch		1
275502	169B	Screwdriver for Lift-The-Dot Studs		1

DOT® and Lift-The-Dot® are registered trademarks of Scovill, Inc.

## Hand Tools For DOT® Durable™ or Glove Button Fasteners



275504



275564

ITEM #	STYLE #	DESCRIPTION	FOR	STANDARD PACKAGE
275583	1482	Die for Baby Durable 12105 Cap		1
275587	1488	Die for Baby Durable 12404/12405/12407 Post		1
248160	164H	Hand Punch		1
275504	169N	Phillips Head Screwdriver for Durable DOT	Use with X8-10301, X8-10302, XX-10362, X8-10393, XB-10393, X8-10704, XX-10708 and X8-10934 studs.	1
275592	ADAPPHIL	Phillips Screw Stud Adapter		1
275588	9323	Punch for Baby Durable 12205/12206 Socket		1
275589	9332	Punch for Baby Durable Eyelets		1
275507	9772	Setting Die for Baby Durable 12302/12303		1
275564	164	Setting Punch for Durable DOT		1

DOT® is a registered trademark of Scovill, Inc. Durable™ is a trademark of Scovill, Inc.

## Hand Tools for Fasnap® Fasteners

For setting Fasnap One-Way-Lift® socket/washers, turn fastener eyelets/washers and SnapFast® products. Contains a turn fastener driver.

ITEM #	STANDARD PACKAGE
275612	1

FASNAP®, One-Way-Lift® and SnapFast® are registered trademarks of The FASNAP Corporation.



248133

## Fabric Fastener Kit

Used for setting 10128, 10224, 10370 and 10412 DOT® Durable™ fasteners.

ITEM #	STYLE #	DESCRIPTION	STANDARD PACKAGE
248133	USC1T	Nos. 9896 and 9897 setting tools (2 pieces each bag)	1

DOT® is a registered trademark of Scovill, Inc. Durable™ is a trademark of Scovill, Inc.



256071

## Hand Press No. M-380E

Hand press for DOT® fasteners.

ITEM #	STYLE #	HEIGHT	STANDARD PACKAGE	WEIGHT
256071	M-380E	12"	1	7 lbs.

DOT® is a registered trademark of Scovill, Inc.



223560



223558



275577



248113



248111



248112



248110

## Hand Press No. M-380E – Dies for DOT® Pull-The-Dot® Fasteners

ITEM #	STYLE #	FOR USE WITH	STANDARD PACKAGE
223560	8059	XX-18201 socket	1
223558	9758	XE-18100 button	1
275577	9760	BS-18303 stud	1

## Pliers – VISE® Pliers Kit for DOT® Durable™

ITEM #	STYLE #	DESCRIPTION	FOR USE WITH	STANDARD PACKAGE
248113	MT480B	Metal Anvil Die	BS-10412 Eyelet #MT480B	1
248111	MT479B	Metal Anvil Die	X2-10128 Button #MT479B	1
248114	MT489A	Metal Clincher Die	BS-10370 Stud #MT489A	1
248112	MT482A	Metal Clincher Die	XB-10224 Socket #MT482B	1
248109		VISE Pliers and Dies Kit		1
248110	T310R	VISE Pliers		1

248109 - Kit includes: 2– No. 100 VISE Pliers; 1– No. M-102 Metal Clincher Die for No. XB-10224 Socket; 1– No. M-103 Metal Anvil Die for No. BS-10412 Eyelet; 1– No. M-104 Metal Clincher Die for No. BS-10370 Stud; 1– No. M-105 Metal Anvil Die, with Ring, for X2-10128 Button.

VISE® is a registered trademark of Irwin Tools. DOT® is a registered trademark of Scovill, Inc. Durable™ is a trademark of Scovill, Inc.



223512



223510

## Hand Press No. M-380E – Dies For DOT® Durable™ Fasteners

ITEM #	STYLE #	FOR USE WITH	STANDARD PACKAGE
223512	1412	BS-10370 Stud	1
223507	1407	BS-10412 eyelet	1
223501	1401	X2-10128/X2-10127 Button	1
223510	1410	XB-10224 Socket	1
275580	9557	XB-10342 Stud	1

DOT® is a registered trademark of Scovill, Inc. Durable™ is a trademark of Scovill, Inc.

## Hand Press No. M-380E – Dies For DOT® Lift-The-Dot® Fasteners

ITEM #	STYLE #	FOR USE WITH	STANDARD PACKAGE
223557	1457	BS-16509 washer	1
223556	1456	XB-16358/XB-16359 stud	1
223554	1454	XX-16205 socket	1



275411



275401



275412



275413



275415



275400

## Pres-N-Snap®

ITEM #	DESCRIPTION	FOR USE WITH	STANDARD PACKAGE
275411	Baby Durable Die Set		1
275398	Bench Mount		1
275429	Die Set	DOT Speedy Rivet #11L-Small HPR/HPRF	1
275401	Die	#10128 Button	1
275404	Die	#10224 Socket	1
275428	Die	#10342 Gypsy Stud	1
275402	Die	#10370 Stud	1
275397	Die	#10379 Stud	1
275403	Die	#10412 Eyelet	1
275412	Die	#BS16509 Washer	1
275413	Die	#XB16358 Stud	1
275399	Frame		1
275417	Handle		1
275427	Lever		1
275405	M-2700 Rubber Ring	DOT Durable Dies	1
275415	Plunger		1
275400	Pres-N-Snap Complete Tool		1
275409	Rubber O-Ring		10
248172	Rubber O-Ring	#12 Stud Black	10
275416	Spring		1
275423	Stayput Shock Cord Clip (SCC/SCR)		1

275400 - Includes dies for 10128, 10224, 10370, 10412 durable fasteners – plus die for No. 1 grommet with plain washer.

Pres-N-Snap® is a registered trademark of Hoover Products. DOT® is a registered trademark of Scovill, Inc. Durable™ is a trademark of Scovill, Inc.



275420



275425

## Pres-N-Snap® – Grommet Dies

ITEM #	DESCRIPTION	FOR USE WITH	STANDARD PACKAGE
275422	Die Set	No. 0 Plain Grommets	1
275434	Die Set	No. 0 Self-Piercing Grommets	1
275421	Die Set	No. 00 Plain Grommets	1
275432	Die Set	No. 1 Grommets with Spur Washers	1
275419	Die Set	No. 1 Plain Grommets	1
275431	Die Set	No. 1 Self-Piercing Grommets	1
275420	Die Set	No. 2 Plain Grommets	1
275430	Die Set	No. 2 Self-Piercing Grommets	1
275435	Hole Punch	No. 00 Grommets	1
275425	Hole Punch	No. 1 Grommets	1
275426	Hole Punch	No. 2 Grommets	1

Pres-N-Snap® is a registered trademark of Hoover Products. DOT® is a registered trademark of Scovill, Inc. Durable™ is a trademark of Scovill, Inc.



275590



275595



275596

## Quick-Fit™ Tool Kit

Quick-Fit holding tool snaps on to existing studs and provides a quick and easy way to hold material while fitting — no clamps necessary. Quick-Fit holds material in place on the holding pin, especially on a windy day. Quick-Fit release tool easily installs and removes the holding pin from the stud. Quick-Fit tools are great for fitting with material and also holding paper or plastic when making a pattern. Can be used over and over on job after job. Can be used on boat cockpit covers, side curtains, enclosures, console covers, carpet, pickup truck tonneau covers, etc. Quick-Fit holding tools accurately mark the fabric cover where the snap sockets are to be placed.

Quick-Fit Tool Kit includes 25 Quick-Fit Caps, 50 Quick-Fit Sockets and 1 Quick-Fit Release Tool.

ITEM #	DESCRIPTION	STANDARD PACKAGE
275590	Tool Kit	1
275591	Caps	25
275595	Sockets with Points	25
275596	Release Tool	1

Quick-Fit™ is a trademark of Quick Fit Canvas Tools.



248185

## Fasnep® PM5 Grommet Machine

The PM5 machine is an industry standard bench-mounted machine. It is made of tough ductile iron and has a deep throat with a longer padded handle. This machine uses standard 3/8 inch diameter shank dies that set self-piercing grommets up to size 300 (#4), and snap fasteners in one motion, swiftly and efficiently. Throat depth: 4-3/4 inch. Dies sold separately

ITEM #	DESCRIPTION	STANDARD PACKAGE
248185	Fasnep PM5 Grommet Machine	1

FASNAP® is a registered trademark of The FASNAP Corporation.



256430

## Hole Punch

Excellent for punching screw holes in aluminum molding, without leaving burred edges.

Makes a 1/8 inch or 3/16 inch hole and are easily changed from standard 1/8 inch hole size to 3/16 inch. Punch is constructed from high-quality tool steel used in commercial high-production punch press dies. Body is lightweight, die cast aluminum with rust-resistant, nickel-plated steel handles and parts. Features a non-slip cushion handle grip.

ITEM #	STYLE #	SIZE	STANDARD PACKAGE
256430	HP18K	1/8 in. to 3/16 in. holes	1



248501



248502



248506

## Engel Hot Knife

Cuts and seals the edges of synthetic fabrics to prevent fraying. The knife can be used with a cutting foot to eliminate the need for a special cutting base or surface. Designed for intermittent operation, the knife heats up in six to eight seconds. Temperature is controlled by a convenient trigger switch. All items are sold separately.

Use in well ventilated areas.

ITEM #	STYLE #	DESCRIPTION	STANDARD PACKAGE
248501	C851	Engel HSG-O Electric Hot Knife Cutter	1
248502	C852	Engel Hot Knife Blade 100R	1
248506	C856	Engel Hot Knife Cutting Foot	1



252248

## Hand Notcher

Fast and easy cutting. Notcher makes a clean 30°, "V"-shaped cut in sheet metal. 13/16 inch maximum throat depth. Upper cutting jaw is drop forged, high-impact alloy steel. Hook design of cutting jaw facilitates notching to desired depth without slippage. Nickel plated and black oxide finish. Blue grips.

ITEM #	STYLE #	LENGTH	STANDARD PACKAGE	WEIGHT
252248	N1	8 in.	1	1 lb.



256095



256094



256098

## Multi-Duty Hand Press No. W-1

This Osborne high quality hand machine cuts fabric and covers buttons. It uses 2 piece dies and short cutters. This hand machine has a reinforced frame and handle. It bolts to a table for added stability. The machine handles between 80-120 buttons per hour. It can also be used to set snaps, grommets and ventilators.

ITEM #	STYLE #	DESCRIPTION	STANDARD PACKAGE
256095	W-1H	Handle	1
256094	W-1	Osborne Multi-Duty Hand Press #W-1	1
256097	W-1PL	Plate	1
256098	W-1 SPRING	Top Spring	1





256298

## Multi-Duty Hand Press No. W-1 – Dies

Dies for setting snaps, grommets, and ventilators for the Osborne Multi-Duty Hand Press #W-1 (Item# 256094).



256299



256333



256334

ITEM #	STYLE #	DESCRIPTION	SIZE	SIZE HOLE	STANDARD PACKAGE
216491	WDISGRC2-75837	Setting Die and Hole Cutter #2 for Spur Washer	2	3/8 in.	1
256298	WDISN201	Snap Die #20	20		1
256299	WDIGRC00	Setting Die #00 For Plain Washer	00		1
256300	WDIGRC0	Setting Die #0 For Plain Washer	0		1
256301	WDIGRC1	Setting Die #1 For Plain Washer	1		1
256302	WDIGRC2	Setting Die #2 For Plain Washer	2		1
256303	WDIGRC3	Setting Die #3 For Plain Washer	3		1
256304	WDIGRC4	Setting Die #4 For Plain Washer	4		1
256305	WDIGRC5	Setting Die #5 For Plain Washer	5		1
256306	WDIGRC6	Setting Die #6 For Plain Washer	6		1
256312	WDIGRC12	Setting Die #12 For Plain Washer	12		1
256315	WDIGRC15	Setting Die #15 For Plain Washer	15		1
256320	WDISGRC0	Setting Die #0 for Spur Washer	0		1
256321	WDISGRC1	Setting Die #1 for Spur Washer	1		1
256322	WDISGRC2	Setting Die #2 for Spur Washer	2		1
256323	WDISGRC3	Setting Die #3 for Spur Washer	3		1
256324	WDISGRC4	Setting Die #4 for Spur Washer	4		1
256325	WDISGRC5	Setting Die #5 for Spur Washer	5		1
256330	WDISGRC10	Setting Die #10 for Spur Washer	10		1
256331	WDIV1	Ventilator Die 1 in.			1
256333	WDIVS	Ventilator Die 3/4 in.			1
256334	684	Ventilator 3/4 in.			1



255250

## Pliers – Fabric Pulling Pliers No. 250

No. 250 plier is made with a hammer jaw. The hammer acts as a lever if a strong pull is required. This is an excellent tool for stretching canvas and leather as well as webbing. It is ideal for pulling fabric over frames.

ITEM #	STYLE #	LENGTH	STANDARD PACKAGE
255250	250	8-3/4 in.	1



256440

## Revolving Punch No. 155

Used to punch holes in soft fabrics and leather goods. The frame is made of highly polished forged steel. The cutting tubes are hand turned from high carbon tool steel and threaded to allow easy replacement.

ITEM #	STYLE #	LENGTH	STANDARD PACKAGE	WEIGHT
256440	155	8-1/2 in.	1	1 lb.



256452

## Revolving Punch No. 155 – Cutting Tube Kit

ITEM #	STYLE #	STANDARD PACKAGE
256452	155T	1



256442

### Revolving Punch No. 155 – Cutting Tubes

ITEM #	STYLE #	SIZE	STANDARD PACKAGE
256441	155T-1	3/32 in.	1
256442	155T-2	7/64 in.	1
256443	155T-3	1/8 in.	1
256444	155T-4	5/32 in.	1
256445	155T-5	11/64 in.	1
256446	155T-6	3/16 in.	1



256448

### Revolving Punch No. 155 – Punch Anvil

A copper replacement base for the No. 155 Revolving Punch. The soft copper composition of this base is gentle on dies to provide longer service life.

ITEM #	STYLE #	STANDARD PACKAGE
256448	155A	1



268120

### Sewing Kit

Exclusively from Trivantage®, our Sewing Kit puts sewing solutions right at your fingertips. This durable and useful kit can be used on a variety of fabrics and projects. The kit contains:

- 1 small curved scissor – Makes working on sewing machine threads much easier.
- 1 bent scissor – Great for cutting small threads and material that is close to a sewing machine needle.
- 1 solid ball seam ripper – This heavy-duty alternative to plastic seam rippers is primarily used for window replacements.
- 1 staple remover – Removes staples from fabric or upholstery easily and without pulls. Each tool is made from handcrafted stainless steel.

ITEM #	STANDARD PACKAGE
268120	1

Trivantage® is a registered trademark of Glen Raven, Inc.



214301

### Thread Nippers

ITEM #	FULL LENGTH	STANDARD PACKAGE
214301	4-1/2 in.	6



266225

### Shears – WISS® Upholstery, Carpet And Fabric Shears

Hot drop-forged, polished blades. One blade is ground to a knife-edge.

To attain the extra sharp knife edge, the cutting edge of the top blade is ground to a greater angle than regular shears. For this reason they will require more frequent sharpening than conventional Wiss Inlaid® Trimmers. However, a simple resharpening procedure will restore the edge quickly and easily. Do not stone the inside of this blade or the opposing blade.

ITEM #	STYLE #	FULL LENGTH	LENGTH OF CUT	STANDARD PACKAGE
266225	1225	10-1/4 in.	4-3/4 in.	1
266226	1226	12-1/4 in.	6-1/8 in.	1

Wiss® and Inlaid® are registered trademarks of Cooper Industries, Inc.



266022

### Shears – WISS® Upholstery, Drapery, Carpet And Fabric Shears – Heavy Duty

With thick, heavy-duty blades to cut through multiple layers and tough material. Hot drop-forged, polished standard edge blades.

To attain the extra sharp knife edge, the cutting edge of the top blade is ground to a greater angle than regular shears. For this reason they will require more frequent sharpening than conventional Wiss Inlaid® Trimmers. However, a simple resharpening procedure will restore the edge quickly and easily. Do not stone the inside of this blade or the opposing blade.

ITEM #	STYLE #	FULL LENGTH	LENGTH OF CUT	STANDARD PACKAGE
266019	20W	10-1/4 in.	4-3/4 in.	1
266022	22W	12-1/4 in.	6-1/8 in.	1

Wiss® and Inlaid® are registered trademarks of Cooper Industries, Inc.



266227

### Shears – Ergonomic Shears

Ergonomic Shears have an extended bottom ring that allows you to use all four fingers and wear a glove, if needed. By using your whole hand, you have more comfort, less strain on the wrist and added cutting leverage. This bent trimmer is made from high-carbon steel with a knife edge and blue soft-coated handle for extra comfort. A chrome-over-nickel plating inside and out provides double rust prevention.

ITEM #	STYLE #	FULL LENGTH	STANDARD PACKAGE
266227	210LRK	10 in.	1



266027

### Shears – WISS® Industrial Shears

Hot drop-forged, nickel-plated shears with standard edge blades.

To attain the extra sharp knife edge, the cutting edge of the top blade is ground to a greater angle than regular shears. For this reason they will require more frequent sharpening than conventional Wiss Inlaid® Trimmers. However, a simple resharpening procedure will restore the edge quickly and easily. Do not stone the inside of this blade or the opposing blade.

ITEM #	STYLE #	FULL LENGTH	LENGTH OF CUT	STANDARD PACKAGE
266027	27	7-1/2 in.	3-1/8 in.	1
266028	28	8-1/8 in.	3-3/4 in.	1

Wiss® and Inlaid® are registered trademarks of Cooper Industries, Inc.



266020

### Shears – WISS® Industrial Shears – Heavy Duty

Hot drop-forged, polished standard edge blades, with black handles. Style 20 LH is the left-handed version.

To attain the extra sharp knife edge, the cutting edge of the top blade is ground to a greater angle than regular shears. For this reason they will require more frequent sharpening than conventional Wiss Inlaid® Trimmers. However, a simple resharpening procedure will restore the edge quickly and easily. Do not stone the inside of this blade or the opposing blade.

ITEM #	STYLE #	FULL LENGTH	LENGTH OF CUT	STANDARD PACKAGE
266020	20	10-1/4 in.	4-3/4 in.	1
266021	20LH	10-1/4 in.	4-3/4 in.	1

Wiss® and Inlaid® are registered trademarks of Cooper Industries, Inc.



266016

### Shears – WISS® Shop Shears

Serrated bladed shears.

ITEM #	STYLE #	FULL LENGTH	STANDARD PACKAGE
266016	W912	10 in.	1

Wiss® is a registered trademark of Cooper Industries, Inc.



266233

### Shears – Kretzer®

Kretzer Scissors is the leading German scissors manufacturer. The quality and durability of these shears are only two of many aspects associated with German craftsmanship.

ITEM #	STYLE #	DESCRIPTION	FULL LENGTH	STANDARD PACKAGE
266232	73725	Trivantage® Shop Shears	10 in.	1
266233	K22	Trim Shears	12 in.	1
266234	K20	Trim Shears	10 in.	1
266235	KRE764425	Pinking Shears	10-1/2 in.	1
266236	72020	Trivantage® Trim Shears	8 in.	1

Kretzer® is a registered trademark of Johann Kretzer GmbH & Co.



268100

### Staple Remover

Forged from 4140 alloy tempered steel.

ITEM #	STYLE #	STANDARD PACKAGE
268100	124	1



275599

### Top-Snapper®

Built of marine-grade stainless steel with an easy to grip rubberized handle, makes snapping your canvas boat top into place easy and convenient. Just slide the ingenious, patented Top-Snapper over the snap, pull it into place, and snap it shut.

ITEM #	STYLE #	STANDARD PACKAGE
275599	008.1	1

Top-Snapper® is a registered trademark of Ironwood Pacific Inc.





248219

### Cutter – Tubing

Excellent portable tubing cutter for aluminum. Stainless steel cutting wheel sold separately.

ITEM #	STYLE #	DESCRIPTION	STANDARD PACKAGE
248219	TC312	Tube Cutter	1
248221	75046	Stainless Steel Cutting Wheel	1



248221



216400

### Cutter – Side Cutter

Typically used for plain and tooth grommet washers. For best results use Trivantage® Cutting Pad (Item no. 223449). Do not use with steel head hammers.

ITEM #	STYLE #	SIZE HOLE	STANDARD PACKAGE
216400	00	3/16 in.	1
216401	0	1/4 in.	1
216402	1	9/32 in.	1
216403	2	3/8 in.	1
216404	3	7/16 in.	1
216405	4	1/2 in.	1
216406	5	5/8 in.	1
216407	6	3/4 in.	1
216408	7	7/8 in.	1
216409	8	1 in.	1

Trivantage® is a registered trademark of Glen Raven, Inc.



216504

### Cutter – Special Cutter

Typically used for rolled rim spur grommet washers. For best results use Trivantage® Cutting Pad (Item no. 223449). Do not use with steel head hammers.

ITEM #	STYLE #	SIZE HOLE	STANDARD PACKAGE
216499	00	3/16 in.	1
216501	0	1/4 in.	1
216502	1	9/32 in.	1
216503	2	3/8 in.	1
216504	3	7/16 in.	1
216505	4	1/2 in.	1
216506	5	5/8 in.	1
216507	6	3/4 in.	1
216508	7	7/8 in.	1
216509	8	1 in.	1

Trivantage® is a registered trademark of Glen Raven, Inc.



223205

### Setting Die For Plain And Tooth Grommets And Washers

For inserting round grommets. Made of superior grade drop forged steel or hardened steel tool.

Setting Dies are guaranteed against defects in material and workmanship, but this guarantee is not intended to cover tools against wear, over-strain, steel hammering, etc. To obtain maximum life of tools use Dead Blow Hammer, Rawhide Mallet, Cutting Pad and strike at 90 degree angle.

ITEM #	STYLE #	DESCRIPTION	STANDARD PACKAGE
223200	00	Stimpson	1
223201	0	Stimpson	1
223202	1	Stimpson	1
223203	2	Stimpson	1
223204	3	Stimpson	1
223205	4	Stimpson	1
223206	5	Stimpson	1
223207	6	Stimpson	1
223208	2J	Stimpson	1
223410	00	Osborne #216	1
223411	0	Osborne #216	1
223412	1	Osborne #216	1
223413	2	Osborne #216	1
223414	3	Osborne #216	1
223415	4	Osborne #216	1
223416	5	Osborne #216	1
223417	6	Osborne #216	1



223301

### Setting Die For Rolled Rim Grommets And Spur Washers

For inserting round grommets. Made of superior grade drop forged steel or hardened steel tool.



223423

Setting Dies are guaranteed against defects in material and workmanship, but this guarantee is not intended to cover tools against wear, over-strain, steel hammering, etc. To obtain maximum life of tools use Dead Blow Hammer, Rawhide Mallet, Cutting Pad and strike at 90 degree angle.

ITEM #	STYLE #	DESCRIPTION	STANDARD PACKAGE
223301	0	Stimpson	1
223302	1	Stimpson	1
223303	2	Stimpson	1
223304	3	Stimpson	1
223305	4	Stimpson	1
223306	5	Stimpson	1
223307	6	Stimpson	1
223420	0	Osborne #217	1
223421	1	Osborne #217	1
223422	2	Osborne #217	1
223423	3	Osborne #217	1
223424	4	Osborne #217	1
223425	5	Osborne #217	1
223426	6	Osborne #217	1
223427	7	Osborne #217	1
223428	8	Osborne #217	1



216490

### Punch Kit – Self-Centering

This handy and versatile kit contains a threaded handle with self-centering pointed plunger. Designed to accommodate nine interchangeable threaded cutting tubes in diameter sizes of 1/4 inch, 5/16 inch, 3/8 inch, 7/16 inch, 1/2 inch, 5/8 inch, 3/4 inch, 7/8 inch and 1 inch. The punches in this set will cleanly cut fabric, leather, rubber, paper, plastic and other soft materials.

ITEM #	STYLE #	STANDARD PACKAGE
216490	K156	1



248102

### Grommet Kit – Home

A complete and inexpensive kit for household use. Each kit consists of a grommet die, a cutting punch, 3 dozen grommets and washers, a small cutting board and complete instructions.

ITEM #	STYLE #	GROMMET SIZE	STANDARD PACKAGE	WEIGHT
248100	0	1/4 in.	1	1-1/2 lbs.
248101	1	9/32 in.	1	1-1/2 lbs.
248102	2	3/8 in.	1	1/3/4 lbs.
248103	3	7/16 in.	1	1/3/4 lbs.
248104	4	1/2 in.	1	1/3/4 lbs.



237001

### Hammer – Dead Blow

Quick-change threaded faces are molded in one piece without metal plugs. Shot-filled heads reduce rebound and increase impact. Replacement faces in white nylon, medium red, extra hard yellow and tough brown polyurethane.

ITEM #	STYLE #	DESCRIPTION	COLOR	SIZE	STANDARD PACKAGE	WEIGHT
237000	DB175	Dead Blow Hammer		1-3/4 in.	1	2 lbs.
237001	DB250	Dead Blow Hammer		2-1/2 in.	1	4 lbs.
237002	175HF	Face Replacement	White	1-3/4 in.	1	
237003	250HF	Face Replacement	White	2-1/2 in.	1	
237004	175XF	Face Replacement	Yellow	1-3/4 in.	1	
237005	250TF	Face Replacement	Brown	2-1/2 in.	1	



250801

### Mallet/Maul – Rawhide

ITEM #	STYLE #	DESCRIPTION	STANDARD PACKAGE	WEIGHT
250804		Mallet Handle	1	
250807	393-4RR	Mallet Leather Refill	1	
250806	393-3RR	Mallet Leather Refill	1	
250808	393-6RR	Mallet Leather Refill	1	
250809	196-2	Mallet	1	
250800	393-2	Mallet	1	2 lbs.
250801	393-3	Mallet	1	2-12/ lbs.
250802	393-4	Mallet	1	4-1/2 lbs.
250803	393-6	Mallet	1	6 lbs.



237015

### Hammer – Rawhide With Split Head – No. 395

Ideal for use with arch punches, grommet dies or wherever a cushioned blow is desired. No trouble to replace faces. Just loosen the safety nut, remove worn face, insert replacement and tighten.

ITEM #	STYLE #	DIAMETER OF FACE	SIZE	STANDARD PACKAGE	WEIGHT
237013	395-1	1-1/4 in.	1	1	1-1/2 lbs.
237014	395-2	1-1/2 in.	2	1	2 lbs.
237015	395-3	1-3/4 in.	3	1	3 lbs.



237021

### Hammer – Rawhide Replacement Heads

ITEM #	STYLE #	SIZE	STANDARD PACKAGE
237020	395F-1	1	1
237021	395F-2	2	1
237022	395F-3	3	1



223449

### Cutting Pad

Made of a special formula resilient vinyl plastic, these tough cutting pads are ideal for use with Osborne Punches. They are long wearing and can be used on both sides. Use on a solid base for best results.

ITEM #	STYLE #	MATERIAL	SIZE	STANDARD PACKAGE
223449	603	Urethane	10 in. x 10 in. x 3/8 in.	1



237016

### Hammer – Tack

Magnetic.

ITEM #	STYLE #	DESCRIPTION	STANDARD PACKAGE
237016	33	Magnetic Tack Hammer	1



205304

### Bendarc Quick-Switch Bender

The Bendarc bends a 6, 8, 10 or 12 inch radius on either 7/8, 1, or 1-1/4 inch OD aluminum or stainless steel marine tubing. Designed for wall or bench mounting. Bends are formed using a long handle for leverage and with the aid of body weight. The Bendarc gives strong bends with smooth, rounded corners. Constructed of boiler plate steel with bearing supported roller. Rollers are high-density polymer for mar resistant contact with fine tubing finishes.

Interchangeable forming blocks, clamp blocks and rollers are also available to convert from a 6 inch radius to 8 inch or 10 inch, and a 7/8 inch OD tube to 1 inch OD. Switch sizes easily and quickly with only an Allen wrench and a 1/2 inch socket. Once forming block replacement is installed, only a finger tight adjustment of a nut on the clamp block is required.

Items are drop ship only.

ITEM #	DESCRIPTION	FOR	RADIUS	STANDARD PACKAGE
205348	Bearing Support Roller	1 in. round tubing		1
205349	Bearing Support Roller	1 in. square tubing		1
205347	Bearing Support Roller	1-1/4 in. round tubing		1
205346	Bearing Support Roller	7/8 in. round tubing		1
205344	Clamp Black Assembly	1 in. round tubing		1
205345	Clamp Black Assembly	1 in. square tubing		1
205342	Clamp Black Assembly	7/8 in. round tubing		1
205350	Clamp			1
205340	Form Block	1 in. round tubing	10 in.	1
205338	Form Block	7/8 in. round tubing	10 in.	1
205343	Form Block	1 in. round tubing	12 in.	1
205341	Form Block	7/8 in. round tubing	12 in.	1
205332	Form Block	1 in. round tubing	6 in.	1
205330	Form Block	7/8 in. round tubing	6 in.	1
205336	Form Block	1 in. round tubing	8 in.	1
205334	Form Block	7/8 in. round tubing	8 in.	1
205352	Pull Down Handle			1
205337	Steel Encased Form Block	1 in. square tubing	10 in.	1
205321	Tube Bender With Steel Encased Form Block	1 in. square tubing	10 in.	1
205319	Tube Bender With Steel Encased Form Block	1 in. square tubing	12 in.	1
205320	Tube Bender	1 in. tubing	10 in.	1
205313	Tube Bender	1-1/4 in. tubing	10 in.	1
205318	Tube Bender	7/8 in. tubing	10 in.	1
205315	Tube Bender	1 in. tubing	12 in.	1
205304	Tube Bender	1 in. tubing	6 in.	1
205310	Tube Bender	7/8 in. tubing	6 in.	1
205316	Tube Bender	1 in. tubing	8 in.	1
205314	Tube Bender	7/8 in. tubing	8 in.	1



205362

### Crownarc Crown Bender

Bends 7/8 inch, 1 inch and 1-1/4 inch outside diameter marine tubing using the same dies. The crown radius is adjustable from 30 inch minimum to infinity. The only Crownarc with gear drive; Crownarc's crank turns both lower wheels and "takes a bigger bite" to get more crown per pass. The Z wheel drive system makes control much easier. The back plate is boiler plate steel and rollers are high-density polymer for mar resistant contact with fine marine tubing. The center roller is fully adjustable.

The Crownarc is supplied with rollers cut for 1 inch diameter marine tubing. This easily crowns 1 inch and 7/8 inch stainless or aluminum marine tubing. Bender can be mounted on the wall, on a table or on the side or rear of a truck.

ITEM #	DESCRIPTION	FOR	RADIUS	STANDARD PACKAGE
205329	Gear Mounted Roller	1 in. square tubing	1 in.	1
205327	Tube Bender	1 in. square tubing		1
205362	Tube Bender	1-1/4 in. round tubing		1
205325	Tube Bender	7/8 in. and 1 in. tubing		1



999075

### Hand Roller

ITEM #	STYLE #	MATERIAL	STANDARD PACKAGE	WIDTH
999075	11-150	Silicon	1	1.75 in.



500582

### Tape – Thermo Bonding

Thermo Bonding Tape has a slightly lower melting point than the standard bonding tape. This will allow the user to seal more difficult fabrics.

ITEM #	DESCRIPTION	COLOR	PUT UP	WIDTH
500581	FR	White	100 yd., 12/box	7/8 in.
500582	FR	Black	100 yd., 12/box	7/8 in.