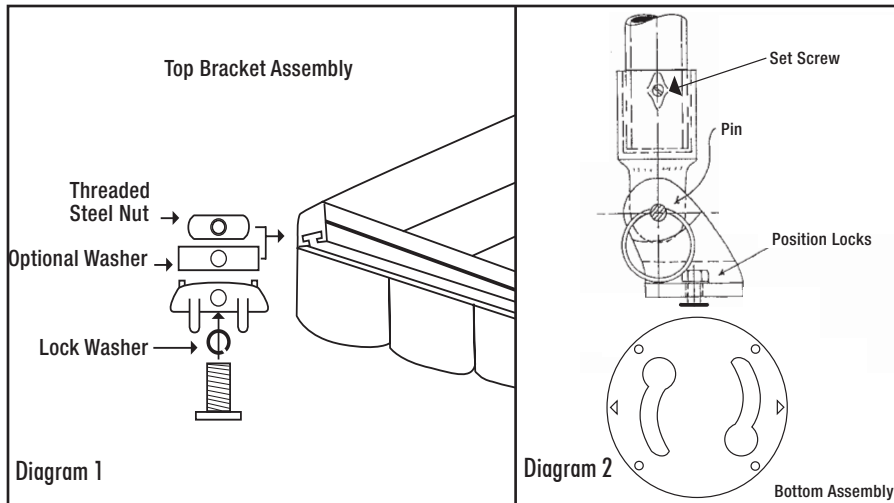


AWNING SUPPORT BRACE

Installation Instructions

Tools normally required: Level, Hacksaw or Plumber's Pipe Cutter, Screwdriver, Power Drill & Concrete Bits (for concrete applications).

- Step 1 Extend awning to full position and remove plastic end cap.
- Step 2 Assemble top bracket (2 lugs & center hole). (see diagram 1)
- Step 3 Insert into awning channel using appropriate bolts and discard extra's. Typically same as awning arm has been attached to. Attach top sleeve fitting with quick release pin. (see A1 or B1 on diagram 5)
- Step 4 Assemble Pole and bottom assembly as follows: (diagram 2)
 - Insert pole to slip end fitting
 - Tighten and pin to bottom bracket
 - Place plate into position (arrows parallel to top bar) (see A2, B2, C diagram 5)
 - Insert bottom bracket and twist 90°
 - Align with top of slip end fitting and cut to size (pipe cutter or hacksaw)
 - Insert and tighten
- Step 5 Place a level on pole to suit needs, pole must be 90° or leaning forward to reduce wind shear.
- Step 6 Bolt bottom plate to surface using four screws provided (Optional: Bolt bottom bracket without plate using 2 screws). Tighten all Screws.



Congratulations!

Now you can enjoy the peace of mind knowing that the AWNING SUPPORT BRACE is providing additional security for your awning's protection. However, please remember that this brace is not designed to convert your awning into a permanent structure. It is designed to strengthen your awning in winds not exceeding 15 mph. The seller will not accept responsibility beyond this limit. Since the product is not being installed by the seller, the seller's and Manufacturer's warranties are limited to replacement of defective parts within one (1) year from date of sale.

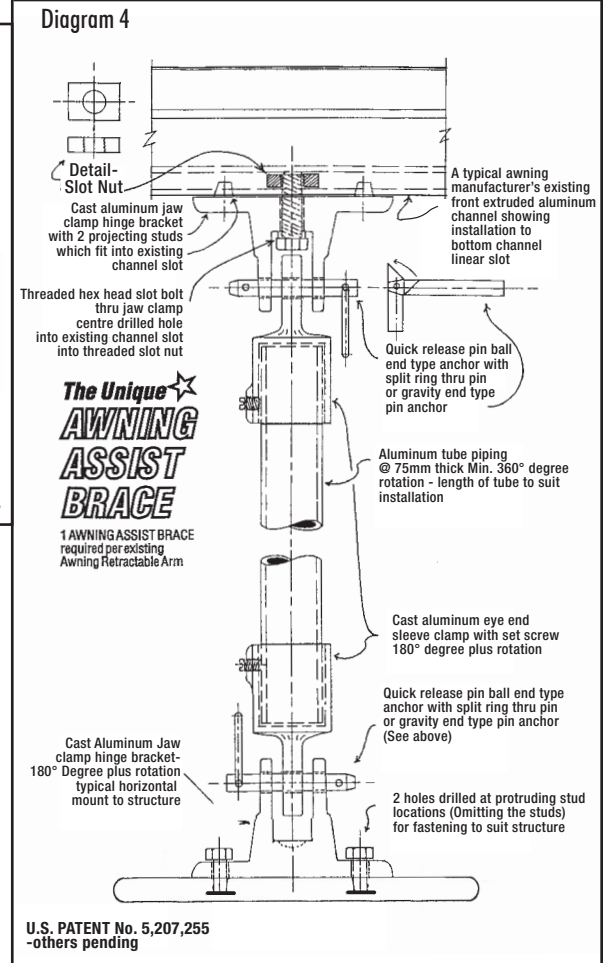
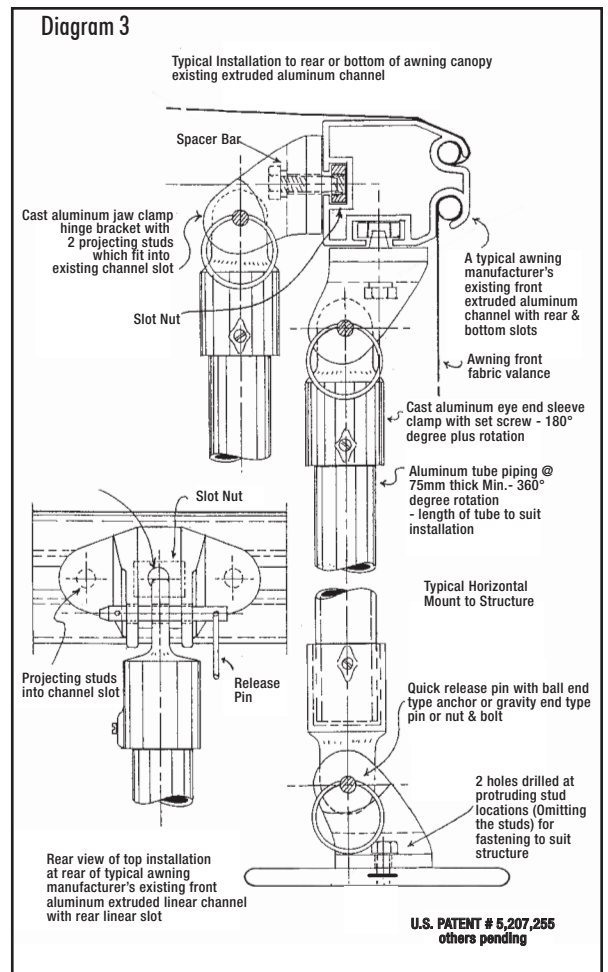
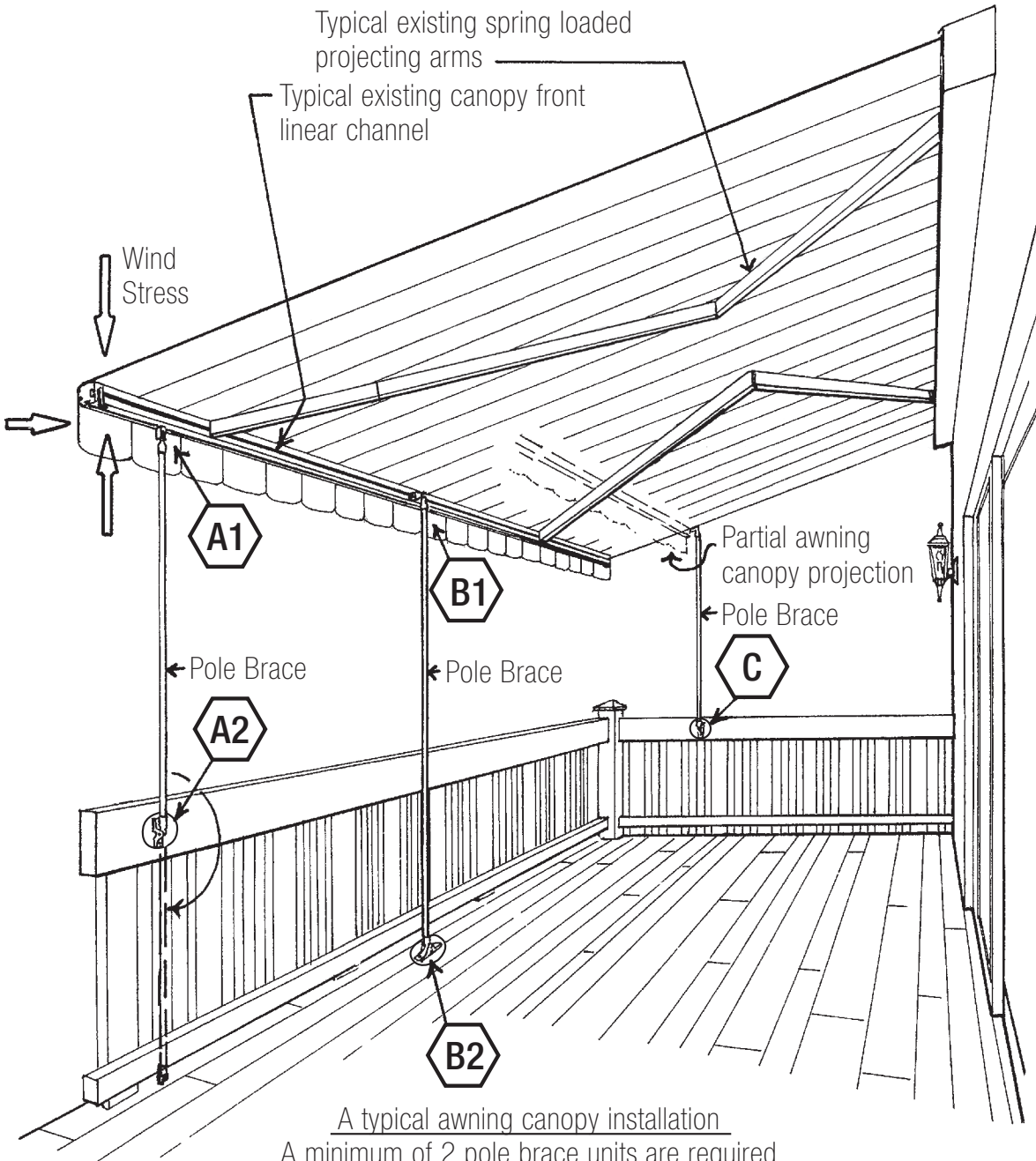


Diagram 5

Typical Installation of the manually operable pole brace
to a typical existing awning canopy

- A1 Top end of pole brace secured to bottom slot channel of existing front linear aluminum extruded channel.
- A2 Lower end secured to a existing rail or wall.
- B1 Top end of pole brace secured to rear slot channel of existing canopy front linear aluminum extruded channel.
- B2 Lower end secured to a existing ground building surface.
- C During the partial projection of a existing awning canopy the lower end of pole brace may be secured to ground surface or side rail or wall.



A typical awning canopy installation

A minimum of 2 pole brace units are required
1 per every existing projecting awning canopy arm