



## CARBON FIBER TELE-SUN SHADE POLES



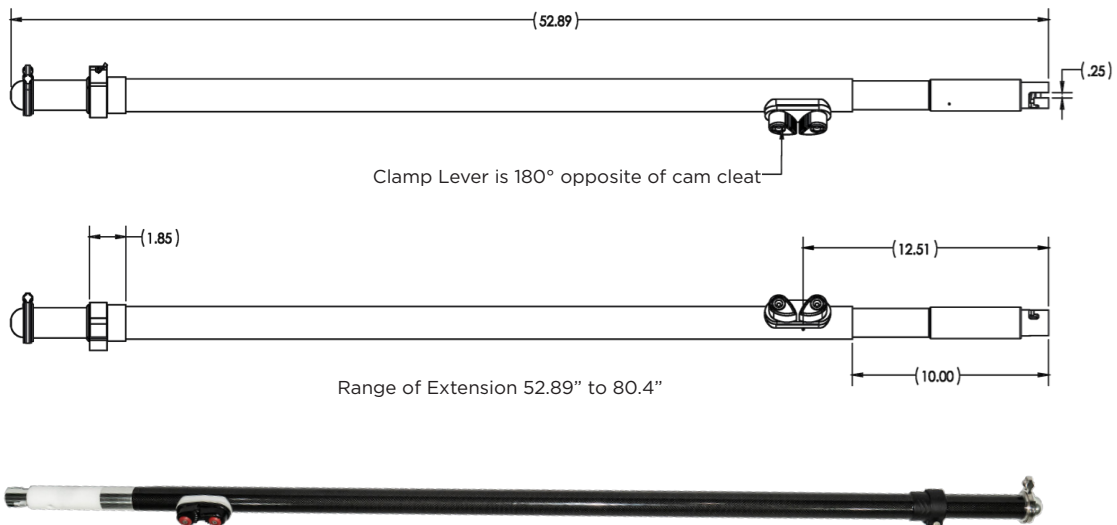
Extend your time on the water and at the sandbar with the new Tele-Sun Shade Poles! Made from strong, light weight and flexible Carbon Fiber, the Tele-Sun Shade Poles are easy to install and stow - maximizing time and fun on your boat. Simply insert the poles into your boat's rod holders, secure a sun-protecting fabric to the boat top, attach the fabric connector to the poles and extend the poles into position. The Tele-Sun Shade Poles can be mounted to the front or rear of your boat, depending on your preference, and telescope from just over 4' to more than 6' tall.

### FEATURES & BENEFITS

- Lightweight Carbon Fiber material with clear, Awl Grip UV-protection
- Built to withstand the harsh marine environments
- Easy installation to deck-mounted rod holders with 1/4" pin
- Cam cleat allows for easy adjustment of line tension
- Open hood feature allows for alternative fabric clamping bungee cord system
- Includes a mesh carrying bag for storage
- Not included - Flush Mount Rod Holder 10° (Part # F31-0702BXY)



205431



PART #	DESCRIPTION	MAIN TUBE	INNER TUBE	ROPE DIA	ROD HOLDER PIN DIA	ROD HOLDER INSIDE DIA	UOM
205432	Carbon Fiber Tele-Sun Shade Pole	1-1/2"	1-1/4"	1/4"	1/4"	1-1/2"	PR
205431	Flush Mount Rod Holder 10°						EA

